

2001-2002
MAINTENANCE
SERVICE
MANUAL



**TURF 1, TURF 2, TURF 6,
CARRYALL 1, CARRYALL 2,
CARRYALL 2 PLUS AND
CARRYALL 6 VEHICLES**

MANUAL NUMBER 102190002
EDITION CODE 0302C0312B

FOREWORD

Club Car vehicles are designed and built to provide the ultimate in performance efficiency; however, proper maintenance and repair are essential for achieving maximum service life and continued safe and reliable operation.

This manual provides detailed information for the maintenance and repair of Turf and Carryall vehicles and should be used in conjunction with the appropriate maintenance and service supplement.

If you do not have the appropriate maintenance and service supplement, you may order one from your local Club Car representative. Maintenance and service supplements available include:

2001/2002 PowerDrive System 48 Vehicle Maintenance and Service Supplement	Publication Part No. 102190005
2001/2002 FE290 Gasoline Vehicle Maintenance and Service Supplement	Publication Part No. 102190007
2001/2002 FE350 Gasoline Vehicle Maintenance and Service Supplement	Publication Part No. 102190008

This manual and corresponding maintenance and service supplement should be thoroughly reviewed prior to servicing the vehicle. The procedures provided must be properly implemented, and the DANGER, WARNING, and CAUTION statements must be heeded.

This manual was written for the trained technician who already has knowledge and skills in electrical and mechanical repair. If the technician does not have such knowledge and skills, attempted service or repairs to the vehicle may render the vehicle unsafe. For this reason, Club Car advises that all repairs and/or service be performed by an authorized Club Car distributor/dealer representative or by a Club Car factory-trained technician.

It is the policy of Club Car, Inc. to assist its distributors and dealers in continually updating their service knowledge and facilities so they can provide prompt and efficient service for vehicle owners. Regional technical representatives, vehicle service seminars, periodic service bulletins, maintenance and service manuals, and other service publications also represent Club Car's continuing commitment to customer support.

This manual, used in conjunction with the appropriate maintenance and service supplement, covers all aspects of typical vehicle service; however, unique situations do sometimes occur when servicing a vehicle. If it appears that a service question is not answered in this manual, you may write to us at: Club Car, Inc., P.O. Box 204658, Augusta, Georgia 30917-4658, USA, Attention: Technical Services, or contact a Club Car Technical Service Representative at (706) 863-3000, ext. 3580.

Copyright © 2002, 2012 Club Car, Inc.
Club Car, Carryall, ArmorFlex, and PowerDrive
are registered trademarks of Club Car, Inc.
This manual effective July 24, 2000.

WARNING

- **Read Section 1 – Safety before attempting any service on the vehicle.**
- **Before servicing vehicle, read complete section(s) and any referenced information that may be relevant to the service or repair to be performed.**

NOTE: *This manual represents the most current information at the time of publication. Club Car, Inc. is continually working to further improve its vehicles and other products. These improvements may affect servicing procedures. Any modification and/or significant change in specifications or procedures will be forwarded to all Club Car distributors and dealers and will, when applicable, appear in future editions of this supplement.*

Club Car, Inc. reserves the right to change specifications and designs at any time without notice and without the obligation of making changes to units previously sold.

There are no warranties expressed or implied in this supplement. See the limited warranty found in the vehicle owner's manual or write to: Club Car, Inc., P.O. Box 204658, Augusta, GA 30917-4658, USA, Attention: Warranty Administration.

CONTENTS

SECTION 1 – SAFETY

General Warning	1-1
-----------------------	-----

SECTION 2 – VEHICLE SPECIFICATIONS

General Information	2-1
---------------------------	-----

SECTION 3 – GENERAL INFORMATION

General Information	3-2
Throttle Input Device Identification – Electric Vehicles	3-3
Serial Number Identification	3-4
Storage – Gasoline Vehicle	3-4
Preparing the Gasoline Vehicle for Extended Storage	3-5
Returning the Stored Gasoline Vehicle to Service	3-5
Storage – Electric Vehicle	3-6
Preparing the Electric Vehicle for Extended Storage	3-7
Returning the Stored Electric Vehicle to Service	3-7

SECTION 4 – BODY AND TRIM

Cleaning the Vehicle	4-2
Front Body Repair	4-3
Stress Lines or Streaks	4-3
Minor Impact Damage/Deformations	4-3
Minor Scratches and Surface Blemishes	4-4
Small Scratches That Cannot Be Buffed Out	4-4
Touch-up Paint Color Chart	4-4
Gouges, Punctures, Tears, Large Scratches, and Abrasions	4-4
Front Body	4-5
Front Body Removal	4-5
Front Body Installation	4-5
Tilt Bed – Turf 1, 2, Carryall 1, 2 and 2 Plus	4-6
Tilt Bed Removal	4-6
Tilt Bed Installation	4-8
Flat Bed – Turf 6 and Carryall 6	4-8
Flat Bed Removal	4-8
Flat Bed Installation	4-8

Flat Bed Trim – Turf 6 and Carryall 6	4-10
Flat Bed Trim Removal	4-10
Flat Bed Trim Installation	4-10
Access Door – Turf 6 and Carryall 6	4-10
Access Door Removal	4-10
Access Door Installation	4-10
Side Door – Turf 6 and Carryall 6	4-12
Side Door Removal	4-12
Side Door Installation	4-12
Rear Fender	4-12
Rear Fender Removal	4-12
Rear Fender Installation	4-12
Trailer Hitch (Optional on Some Models)	4-13
Trailer Hitch Removal	4-13
Trailer Hitch Installation	4-14
Tailskirt	4-15
Tailskirt Removal	4-15
Tailskirt Installation	4-15
Floor Mat	4-15
Front Floor Mat Removal	4-15
Front Floor Mat Installation	4-15
Rear Floor Mat Removal – Turf 6 and Carryall 6 Only	4-15
Rear Floor Mat Installation – Turf 6 and Carryall 6 Only	4-15
Bumper	4-16
Bumper Removal	4-16
Bumper Installation	4-16

SECTION 5 – ACCELERATOR AND BRAKE PEDAL GROUP

Brake Pedal and Park Brake	5-2
Brake Pedal Removal	5-2
Brake Pedal Installation	5-3
Park Brake Removal	5-6
Park Brake Installation	5-7
Accelerator Pedal – Gasoline and Multi-Step Pot. Vehicles	5-9
Accelerator Pedal Removal – Multi-Step Potentiometer Vehicles and Gasoline Vehicles	5-9
Accelerator Pedal Installation – Multi-Step Potentiometer Vehicles and Gasoline Vehicles	5-10
Accelerator Pedal – Electric Vehicle with CVP	5-11
Accelerator Pedal Removal – Electric Vehicle with CVP	5-11
Accelerator Pedal Installation – Electric Vehicle with CVP	5-12

Accelerator Pedal – Electric Vehicles with MCOR	5-13
Accelerator Pedal Removal – Electric Vehicle With MCOR	5-13
Accelerator Pedal Installation – Electric Vehicle with MCOR	5-16
Pedal Group Adjustment – Gasoline Vehicles	5-16
Pedal Group Adjustment – Electric Vehicles with MCOR	5-21
Pedal Group Adjustment – Electric Vehicles with CVP	5-22
Pedal Group Adjustment – Multi-Step Pot. Electric Vehicles	5-27

SECTION 6 – WHEEL BRAKE ASSEMBLIES

General Information	6-3
Brake Shoe Removal	6-4
Brake Assembly Cleaning (Self-Adjusting Brakes)	6-5
Brake Shoe Installation (Self-Adjusting Brakes)	6-7
Brake Adjustment (Self-Adjusting Brakes)	6-9
Brake Assembly Cleaning (Manually-Adjusted Brakes)	6-10
Brake Shoe Installation (Manually-Adjusted Brakes)	6-12
Brake Adjustment (Manually-Adjusted Brakes)	6-14
Brake Cluster Adjustment	6-14
Brake Cable Equalization	6-15
Final Brake Cluster Adjustment	6-16
Test Drive Vehicle	6-16
Brake Cluster Removal and Installation	6-19
Rear Brake Cluster Removal	6-19
Rear Brake Cluster Installation	6-19
Front Brake Cluster Removal	6-20
Front Brake Cluster Installation	6-20
Front Brake Cables	6-21
Front Brake Cable Removal	6-21
Front Brake Cable Installation	6-22
Rear Brake Cables	6-23
Rear Brake Cable Removal	6-23
Rear Brake Cable Installation	6-24

SECTION 7 – STEERING AND FRONT SUSPENSION

General Information	7-2
Steering Wheel	7-2
Steering Wheel Removal	7-2
Steering Wheel Installation	7-3

Steering Column	7-4
Steering Column Removal	7-4
Steering Column Disassembly	7-6
Steering Column Assembly	7-6
Steering Column Installation	7-6
Steering Adjustment	7-8
Rack and Pinion	7-8
Rack and Pinion Removal	7-8
Rack and Pinion Disassembly	7-9
Rack and Pinion Assembly	7-10
Rack and Pinion Installation	7-13
Tie Rod and Drag Link	7-14
Tie Rod and Drag Link Removal	7-14
Tie Rod and Drag Link Installation	7-14
Front Suspension	7-15
Lubrication	7-15
Wheel Alignment	7-15
Front Suspension Components	7-17
Leaf Spring Removal	7-17
Leaf Spring Installation	7-17
Kingpin and Steering Spindle Removal	7-17
Kingpin and Steering Spindle Installation	7-22
Delta A-Plate Removal	7-23
Delta A-Plate Installation	7-23
Shock Absorber Removal	7-23
Shock Absorber Installation	7-23
Front Wheel Bearings and Hubs	7-24
Front Wheel Free Play Inspection	7-24
Front Wheel Bearings and Hub Removal	7-24
Front Wheel Bearings and Hub Installation	7-25

SECTION 8 – WHEELS AND TIRES

General Information	8-2
Wheels	8-3
Wheel Removal	8-3
Wheel Installation	8-3
Tires	8-3
Tire Removal	8-3
Tire Repair	8-4
Tire Installation	8-4

SECTION 9 – REAR SUSPENSION

General Information	9-2
Shock Absorbers	9-2
Shock Absorber Inspection and Removal	9-2
Shock Absorber Installation	9-3
Multi-Leaf Springs	9-3
Multi-Leaf Spring Removal	9-3
Multi-Leaf Spring Installation	9-5
Snubber	9-5
Snubber Removal	9-5
Snubber Installation	9-8
Stabilizer Bar	9-8
Stabilizer Bar Removal	9-8
Stabilizer Bar Installation	9-8
Jounce Bumpers	9-10
Jounce Bumper Removal	9-10
Jounce Bumper Installation	9-10

SECTION i – INDEX

SECTION 1 – SAFETY

To ensure the safety of those servicing Club Car vehicles, and to protect the vehicles from possible damage resulting from improper service or maintenance, the procedures in this manual must be followed.

It is important to note that throughout this manual there are statements labeled DANGER, WARNING, or CAUTION. These special statements relate to specific safety issues, and must be read, understood, and heeded before proceeding with procedures. There are statements labeled NOTE, which provide other essential service or maintenance information.

▲ DANGER

- A DANGER indicates an immediate hazard that will result in severe personal injury or death.

▲ WARNING

- A WARNING indicates an immediate hazard that could result in severe personal injury or death.

▲ CAUTION

- A CAUTION indicates a hazard or unsafe practice that could result in minor personal injury or product or property damage.

GENERAL WARNING

The following safety statements must be heeded whenever the vehicle is being operated, repaired, or serviced. Service technicians should become familiar with these general safety statements, which can be found throughout this manual. Also, other specific safety statements appear throughout this manual and on the vehicle.

▲ DANGER

- **Battery – Explosive gases! Do not smoke. Keep sparks and flames away from the vehicle and service area. Ventilate when charging or operating vehicle in an enclosed area. Wear a full face shield and rubber gloves when working on or near batteries.**
- **Battery – Poison! Contains acid! Causes severe burns. Avoid contact with skin, eyes, or clothing. Antidotes:**
 - External: Flush with water. Call a physician immediately.
 - Internal: Drink large quantities of milk or water. Follow with milk of magnesia or vegetable oil. Call a physician immediately.
 - Eyes: Flush with water for 15 minutes. Call a physician immediately.
- **Gasoline – Flammable! Explosive! Do not smoke. Keep sparks and flames away from the vehicle and service area. Service only in a well-ventilated area.**
- **Do not operate gasoline vehicle in an enclosed area without proper ventilation. The engine produces carbon monoxide, which is an odorless, deadly poison.**

⚠ WARNING

- Follow the procedures exactly as stated in this manual, and heed all **DANGER, WARNING, and CAUTION** statements in this manual as well as those on the vehicle and battery charger.
- Only trained technicians should service or repair the vehicle or battery charger. Anyone doing even simple repairs or service should have knowledge and experience in electrical and mechanical repair. The appropriate instructions must be used when performing maintenance, service, or accessory installation.
- Prior to servicing the vehicle or leaving the vehicle unattended, turn the key switch **OFF**, remove the key, and place the Forward/Reverse handle in the **NEUTRAL** position. Chock the wheels when servicing the vehicle.

Gasoline vehicles only:

- To avoid unintentionally starting the vehicle:
 - Disconnect battery cables, negative (–) cable first (Figure 1-1, Page 1-3).
 - Disconnect the spark plug wire from the spark plug.
- Frame ground – Do not allow tools or other metal objects to contact frame when disconnecting battery cables or other electrical wiring. Do not allow a positive wire to touch the vehicle frame, engine, or any other metal component.

Electric vehicles only:

- To avoid unintentionally starting the vehicle, disconnect the batteries as shown (Figure 1-2, Page 1-3).
- After disconnecting the batteries, discharge the controller capacitors as follows:
 - Turn key switch to **ON** and place the Forward/Reverse handle in **REVERSE**.
 - Slowly depress the accelerator pedal and keep it depressed until the reverse warning buzzer can no longer be heard. When the buzzer stops sounding, the controller capacitors are discharged.

All vehicles:

- Wear safety glasses or approved eye protection when servicing the vehicle or battery charger. Wear a full face shield and rubber gloves when working on or near batteries.
- Do not wear loose clothing or jewelry such as rings, watches, chains, etc., when servicing the vehicle or battery charger.
- Moving parts! Do not attempt to service the vehicle while it is running.
- Hot! Do not attempt to service hot engine, exhaust system, or motor. Failure to heed this warning could result in severe burns.
- Use insulated tools when working near batteries or electrical connections. Use extreme caution to avoid shorting of components or wiring.
- Check the vehicle owner's manual for proper location of all vehicle safety and operation decals and make sure they are in place and are easy to read.
- Any modification or change to the vehicle that affects the stability or handling of the vehicle, or increases maximum vehicle speed beyond factory specifications, could result in severe personal injury or death.
- Lift only one end of the vehicle at a time. Use a suitable lifting device (chain hoist or hydraulic floor jack) with 1000 lb. (454 kg) minimum lifting capacity. Do not use lifting device to hold vehicle in raised position. Use approved jack stands of proper weight capacity to support the vehicle and chock the wheels that remain on the floor. When not performing a test or service procedure that requires movement of the wheels, lock the brakes.

WARNING CONTINUED ON NEXT PAGE...

⚠ WARNING

- If wires are removed or replaced, make sure wiring and wire harness are properly routed and secured. Failure to properly route and secure wiring could result in vehicle malfunction, property damage, personal injury, or death.
- For vehicles with cargo beds, remove all cargo before raising the bed or servicing the vehicle. If the vehicle is equipped with a prop rod, ensure that it is securely engaged while bed is raised. Do not close bed until all persons are clear of cargo bed area. Keep hands clear of all crush areas. Do not drop cargo bed; lower gently and keep entire body clear. Failure to heed this warning could result in severe personal injury or death.
- Improper use of the vehicle or failure to properly maintain it could result in decreased vehicle performance, severe personal injury, or death.
- Do not leave children unattended on vehicle.

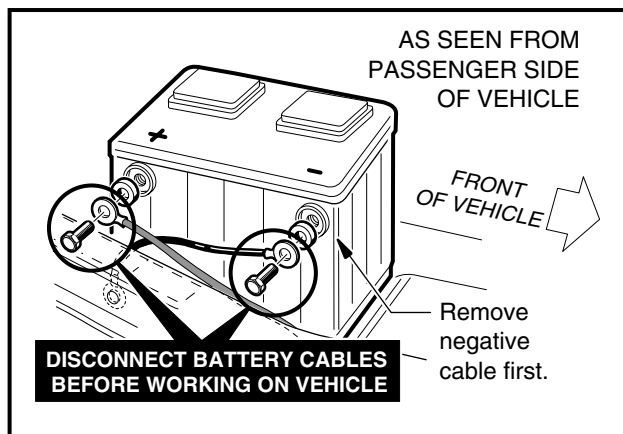


Figure 1-1 Gasoline Vehicle

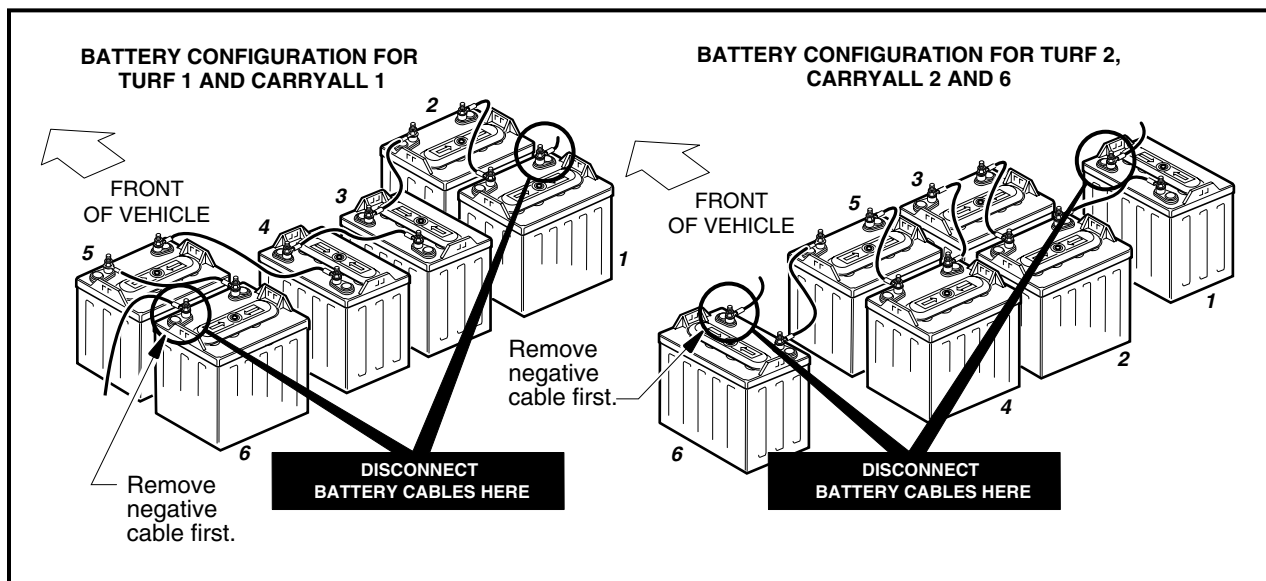


Figure 1-2 PowerDrive Battery Configuration

SECTION 2 – VEHICLE SPECIFICATIONS

GENERAL INFORMATION

Club Car, Inc. reserves the right to change specifications and design of either the gasoline or electric vehicle at any time without notice and without obligation to make these changes on units previously sold.

SPECIFICATIONS	Turf 1 Carryall 1		Turf 2 Carryall 2		Carryall 2 Plus	Turf 6 Carryall 6	
	Pedal-Start Gasoline	PowerDrive System 48 Electric	Pedal-Start Gasoline	PowerDrive System 48 Electric	Key-Start Gasoline	Key-Start (CA 6) Pedal-Start (Turf 6) Gasoline	PowerDrive System 48 Electric
Engine: 4 cycle, OHV, 286 cc, 9 hp rated, single cylinder, air cooled, with pressure lubrication system	•						
Engine: 4 cycle, OHV, 351 cc, 11 hp rated, single cylinder, air cooled, with pressure lubrication system			•		•	•	
Drive motor: Direct drive, 48 volts DC, series wound, 3.1 hp		•		•			•
Fuel system: Side draft carburetor with float bowl, fixed jets, fuel filter, and impulse fuel pump	•		•		•	•	
Governor: Automatic ground speed sensing, internally geared in unitized transaxle	•		•		•	•	
Ignition: Transistor electronic ignition with electronic RPM limiter	•		•		•	•	
Unitized transaxle: Fully synchronized forward and reverse with neutral (11.8:1 forward, 17.1:1 reverse)	•		•		•	•	
Transaxle: Double reduction helical gear with 12.28:1 direct drive axle		•		•			•
Electrical system: 12 volt, 500 cca at 0 °F, 650 cca at 32 °F, 105 minute reserve capacity and 35 amp charging capacity	•		•		•	•	
Electrical system: 48 volts DC, reduced speed reverse		•		•			•
Batteries: High capacity, deep cycle, Trojan PowerDrive 8-volt, 117 min. capacity		•		•			•
Charger: Automatic, 17 amp PowerDrive; UL and CSA listed		•		•			•
Torque converter: Automatic, variable speed, dry type	•		•		•	•	
STEERING/SUSPENSION/BRAKES							
Steering: Self-adjusting rack and pinion	•	•	•	•	•	•	•
Suspension: Front mono-leaf and rear multi-leaf springs with dual hydraulic shocks	•	•	•	•	•	•	•
Brakes: Mechanical brake cable system to self-adjusting drum brakes on each rear wheel. Park brake is automatically released. Self-adjusting multi-latch ratchet and pawl	•	•	• Manually- Adjusted				
Specifications continued on next page . . .							

SPECIFICATIONS	Turf 1 Carryall 1		Turf 2 Carryall 2		Carryall 2 Plus	Turf 6 Carryall 6	
	Pedal-Start Gasoline	PowerDrive System 48 Electric	Pedal-Start Gasoline	PowerDrive System 48 Electric	Key-Start Gasoline	Key-Start (CA 6) Pedal-Start (Turf 6) Gasoline	PowerDrive System 48 Electric
STEERING/SUSPENSION/BRAKES, Continued:							
Brakes: Mechanical brake cable system to manually-adjusted drum brakes on all four wheels. Park brake is automatically released. Self-adjusting multi-latch ratchet and pawl				•	•	•	•
BODY/CHASSIS							
Frame/chassis: Twin I-Beam welded aluminum	•	•	•	•	•	•	•
Side and rear body: All aluminum	•	•	•	•	•	•	•
Front body: ArmorFlex®	•	•	•	•	•	•	•
Front body finish: Matched paint finish over molded-in color	•	•	•	•	•	•	•
Tires: 18 x 8.50 - 8 tubeless, 4 ply rated load range front and rear	•	•					
Tires: 18 x 8.50 - 8 tubeless, 6 ply rated load range front and rear			•	•	•	•	•
DIMENSIONS/WEIGHT							
Overall length: Standard flatbed configuration	100 in. (254 cm)	100 in. (254 cm)	111 in. (282 cm)	111 in. (282 cm)	111 in. (282 cm)	134 in. (340 cm)	134 in. (340 cm)
Overall width	49.25 in. (120 cm)	49.25 in. (120 cm)	50 in. (127 cm)	50 in. (127 cm)	50 in. (127 cm)	49.25 in. (120 cm)	49.25 in. (120 cm)
Overall height: At steering wheel	48 in. (122 cm)	48 in. (122 cm)	48 in. (122 cm)	48 in. (122 cm)	48 in. (122 cm)	48 in. (122 cm)	48 in. (122 cm)
Wheelbase	65.5 in. (166 cm)	65.5 in. (166 cm)	77.5 in. (197 cm)	77.5 in. (197 cm)	77.5 in. (197 cm)	98.5 in. (250 cm)	98.5 in. (250 cm)
Ground clearance	4.5 in. (11 cm)	4.5 in. (11 cm)	4.5 in. (11 cm)	4.5 in. (11 cm)	4.5 in. (11 cm)	4.5 in. (11 cm)	4.5 in. (11 cm)
Front wheel tread	34.5 in. (88 cm)	34.5 in. (88 cm)	34.5 in. (88 cm)	34.5 in. (88 cm)	34.5 in. (88 cm)	34.5 in. (88 cm)	34.5 in. (88 cm)
Rear wheel tread	38.5 in. (98 cm)	38.5 in. (98 cm)	38.5 in. (98 cm)	38.5 in. (98 cm)	38.5 in. (98 cm)	38.5 in. (98 cm)	38.5 in. (98 cm)
Weight: Standard electric vehicle (without batteries)		530 lb. (240 kg)		637 lb. (289 kg)			768 lb. (348 kg)
Weight: Standard gasoline vehicle (dry fuel tank)	658 lb. (298 kg)		749 lb. (298 kg)		786 lb. (357 kg)	893 lb. (405 kg)	
Forward speed	12-15 mph (19-24 km/h)	12-15 mph (19-24 km/h)	14-16 mph (23-26 km/h)	12-15 mph (19-24 km/h)	17-18 mph (27-29 km/h)	14-16 mph (23-26 km/h)	12-15 mph (19-24 km/h)
Clearance circle (diameter)	17 ft.-6 in. (533 cm)	17 ft.-6 in. (533 cm)	20 ft.-8 in. (630 cm)	20 ft.-8 in. (630 cm)	20 ft.-8 in. (630 cm)	24 ft.-8 in. (752 cm)	24 ft.-8 in. (752 cm)
Turning radius per SAE J 695	101 in. (257 cm)	101 in. (257 cm)	120 in. (305 cm)	120 in. (305 cm)	120 in. (305 cm)	144 in. (366 cm)	144 in. (366 cm)
Intersecting aisle clearance	72 in. (183 cm)	72 in. (183 cm)	77 in. (196 cm)	77 in. (196 cm)	77 in. (196 cm)	89.75 in. (228 cm)	89.75 in. (228 cm)
Floorboard height	11.75 in. (30 cm)	11.75 in. (30 cm)	11.75 in. (30 cm)	11.75 in. (30 cm)	11.75 in. (30 cm)	11.75 in. (30 cm)	11.75 in. (30 cm)
Turning radius per SAE J 695	101 in. (257 cm)	101 in. (257 cm)	120 in. (305 cm)	120 in. (305 cm)	120 in. (305 cm)	144 in. (366 cm)	144 in. (366 cm)
Intersecting aisle clearance	72 in. (183 cm)	72 in. (183 cm)	77 in. (196 cm)	77 in. (196 cm)	77 in. (196 cm)	89.75 in. (228 cm)	89.75 in. (228 cm)
Specifications continued on next page . . .							

SPECIFICATIONS	Turf 1 Carryall 1		Turf 2 Carryall 2		Carryall 2 Plus	Turf 6 Carryall 6	
	Pedal-Start Gasoline	PowerDrive System 48 Electric	Pedal-Start Gasoline	PowerDrive System 48 Electric	Key-Start Gasoline	Key-Start (CA 6) Pedal-Start (Turf 6) Gasoline	PowerDrive System 48 Electric
DIMENSIONS/WEIGHT, Continued:							
Floorboard height	11.75 in. (30 cm)	11.75 in. (30 cm)	11.75 in. (30 cm)	11.75 in. (30 cm)	11.75 in. (30 cm)	11.75 in. (30 cm)	11.75 in. (30 cm)
Load bed height	27 in. (69 cm)	27 in. (69 cm)	27.625 in. (70 cm)	27.625 in. (70 cm)	27.625 in. (70 cm)	27 in. (69 cm)	27 in. (69 cm)
Seat height	30 in. (76 cm)	30 in. (76 cm)	30.25 in. (77 cm)	30.25 in. (77 cm)	30.25 in. (77 cm)	30 in. (76 cm)	30 in. (76 cm)
Load bed size: Box bed dimensions	37.6 in. x 45.1 in. x 9.3 in. (96 x 115 x 23 cm)	37.6 in. x 45.1 in. x 9.3 in. (96 x 115 x 23 cm)	48.8 in. x 49.8 in. x 10.9 in. (124 x126x28 cm)	48.8 in. x 49.8 in. x 10.9 in. (124 x126x28 cm)	48.8 in. x 49.8 in. x 10.9 in. (124 x126x28 cm)	64.2 in. x 44 in. x 18.5 in. (163 x 112 x 47 cm)	64.2 in. x 44 in. x 18.5 in. (163 x 112 x 47 cm)
Load bed size: Flat bed dimensions	35.75 in. x 44.25 in. (91 x 112 cm)	35.75 in. x 44.25 in. (91 x 112 cm)	46.875 in. x 48.3125 in. (119 x 126 cm)	46.875 in. x 48.3125 in. (119 x 126 cm)	46.875 in. x 48.3125 in. (119 x 126 cm)	67.625 in. x 44.1875 in. (172 x 112 cm)	67.625 in. x 44.1875 in. (172 x 112 cm)
Vehicle rated capacity: Level surface only	800 lb. (363 kg)	800 lb. (363 kg)	1200 lb. (544 kg)	1200 lb. (544 kg)	1200 lb. (544 kg)	1500 lb. (680 kg)	1500 lb. (680 kg)
Standard seating capacity: persons	2	2	2	2	2	2	2
LIQUID CAPACITIES							
Engine crankcase without filter	32 oz. (.95 liters)		32 oz. (.95 liters)		32 oz. (.95 liters)	32 oz. (.95 liters)	
Engine crankcase with filter	38 oz. (1.12 liters)		38 oz. (1.12 liters)		38 oz. (1.12 liters)	38 oz. (1.12 liters)	
Unitized transaxle	27 oz. (.8 liters)		27 oz. (.8 liters)		27 oz. (.8 liters)	27 oz. (.8 liters)	
Gasoline tank	7 gallons (26.5 liters)		7 gallons (26.5 liters)		7 gallons (26.5 liters)	7 gallons (26.5 liters)	
Transaxle		22 oz. (.67 liters)		22 oz. (.67 liters)			22 oz. (.67 liters)
TIRE PRESSURE							
Front and rear	16-18 psi (1.10-1.24 Bars)	18-20 psi (1.24-1.38 Bars)	30-34 psi (2.07-2.34 Bars)	30-34 psi (2.07-2.34 Bars)	30-34 psi (2.07-2.34 Bars)	30-34 psi (2.07-2.34 Bars)	30-34 psi (2.07-2.34 Bars)

SECTION 3 – GENERAL INFORMATION

DANGER

- **Battery – Explosive gases! Do not smoke. Keep sparks and flames away from the vehicle and service area. Ventilate when charging or operating vehicle in an enclosed area. Wear a full face shield and rubber gloves when working on or near batteries.**
- **Battery – Poison! Contains acid! Causes severe burns. Avoid contact with skin, eyes, or clothing. Antidotes:**
 - **External: Flush with water. Call a physician immediately.**
 - **Internal: Drink large quantities of milk or water. Follow with milk of magnesia or vegetable oil. Call a physician immediately.**
 - **Eyes: Flush with water for 15 minutes. Call a physician immediately.**
- **Gasoline – Flammable! Explosive! Do not smoke. Keep sparks and flames away from the vehicle and service area. Service only in a well-ventilated area.**
- **Do not operate gasoline vehicle in an enclosed area without proper ventilation. The engine produces carbon monoxide, which is an odorless, deadly poison.**

WARNING

- **Follow the procedures exactly as stated in this manual, and heed all DANGER, WARNING, and CAUTION statements in this manual as well as those on the vehicle and battery charger.**
- **Only trained technicians should service or repair the vehicle or battery charger. Anyone doing even simple repairs or service should have knowledge and experience in electrical and mechanical repair. The appropriate instructions must be used when performing maintenance, service, or accessory installation.**
- **Prior to servicing the vehicle or leaving the vehicle unattended, turn the key switch OFF, remove the key, and place the Forward/Reverse handle in the NEUTRAL position. Chock the wheels when servicing the vehicle.**

Gasoline vehicles only:

- **To avoid unintentionally starting the vehicle:**
 - **Disconnect battery cables, negative (–) cable first. See Figure 1-1, Section 1, Page 1-3.**
 - **Disconnect the spark plug wire from the spark plug.**
- **Frame ground – Do not allow tools or other metal objects to contact frame when disconnecting battery cables or other electrical wiring. Do not allow a positive wire to touch the vehicle frame, engine, or any other metal component.**

Electric vehicles only:

- **To avoid unintentionally starting the vehicle, disconnect the batteries as shown. See Figure 1-2, Section 1, Page 1-3.**
- **After disconnecting the batteries, discharge the controller capacitors as follows:**
 - **Turn key switch to ON and place the Forward/Reverse handle in REVERSE.**
 - **Slowly depress the accelerator pedal and keep it depressed until the reverse warning buzzer can no longer be heard. When the buzzer stops sounding, the controller capacitors are discharged.**

WARNING CONTINUED ON NEXT PAGE...

⚠ WARNING

All vehicles:

- **Wear safety glasses or approved eye protection when servicing the vehicle or battery charger. Wear a full face shield and rubber gloves when working on or near batteries.**
- **Do not wear loose clothing or jewelry such as rings, watches, chains, etc., when servicing the vehicle or battery charger.**
- **Moving parts! Do not attempt to service the vehicle while it is running.**
- **Hot! Do not attempt to service hot engine, exhaust system, or motor. Failure to heed this warning could result in severe burns.**
- **Use insulated tools when working near batteries or electrical connections. Use extreme caution to avoid shorting of components or wiring.**
- **Check the vehicle owner's manual for proper location of all vehicle safety and operation decals and make sure they are in place and are easy to read.**
- **Any modification or change to the vehicle that affects the stability or handling of the vehicle, or increases maximum vehicle speed beyond factory specifications, could result in severe personal injury or death.**
- **Lift only one end of the vehicle at a time. Use a suitable lifting device (chain hoist or hydraulic floor jack) with 1000 lb. (454 kg) minimum lifting capacity. Do not use lifting device to hold vehicle in raised position. Use approved jack stands of proper weight capacity to support the vehicle and chock the wheels that remain on the floor. When not performing a test or service procedure that requires movement of the wheels, lock the brakes.**
- **If wires are removed or replaced, make sure wiring and wire harness are properly routed and secured. Failure to properly route and secure wiring could result in vehicle malfunction, property damage, personal injury, or death.**
- **For vehicles with cargo beds, remove all cargo before raising the bed or servicing the vehicle. If the vehicle is equipped with a prop rod, ensure that it is securely engaged while bed is raised. Do not close bed until all persons are clear of cargo bed area. Keep hands clear of all crush areas. Do not drop cargo bed; lower gently and keep entire body clear. Failure to heed this warning could result in severe personal injury or death.**
- **Improper use of the vehicle or failure to properly maintain it could result in decreased vehicle performance, severe personal injury, or death.**
- **Do not leave children unattended on vehicle.**

GENERAL INFORMATION

Important features unique to the different models covered in this manual are highlighted. Club Car, Inc. recommends the owner/operator read and understand this manual and pay special attention to features specific to their vehicle(s).

Each vehicle is equipped with either a two-position key switch or a three-position key switch. Vehicles equipped with a two-position key switch are referred to as "pedal-start" and vehicles equipped with a three-position key switch are referred to as "key-start".

Refer to the owner's manual provided with the vehicle for information on the following topics:

- Pre-Operation and Daily Safety Checklist
- Controls and Indicators
- Driving Instructions
- Loading and Unloading
- Bed Latch
- Towing with a Vehicle
- Transporting on a Trailer
- Subsequent Owner Registration
- Warranties

THROTTLE INPUT DEVICE IDENTIFICATION – ELECTRIC VEHICLES

To properly service the vehicle, the throttle input device must be identified before work begins. All gasoline Club Car utility vehicles use the same type of throttle linkage; however, electric utility vehicles utilize one of three different types of accelerator systems:

- MCOR (Motor Controller Output Regulator) (**Figure 3-1, Page 3-3**).
- Multi-step Potentiometer (**Figure 3-3, Page 3-3**).
- CVP (Continuously Variable Potentiometer) (**Figure 3-2, Page 3-3**).

Using the illustrations provided, determine which throttle input device is used in the vehicle before proceeding with service. Service and adjustment procedures differ significantly, so it is important to make sure that the correct procedure is used.

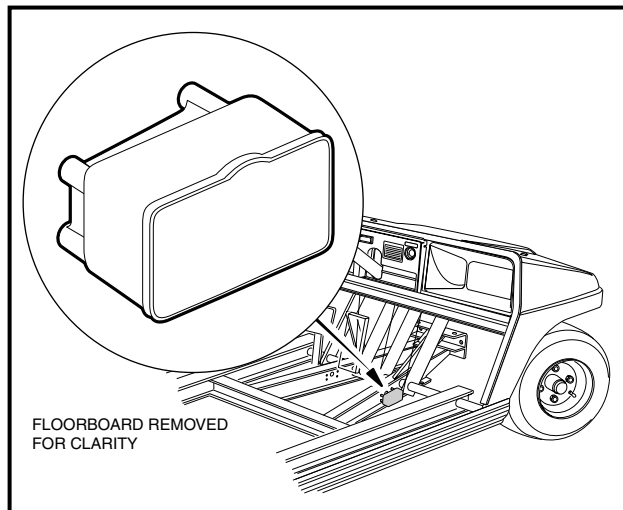


Figure 3-1 Electric Vehicle Equipped with MCOR (Motor Controller Output Regulator)

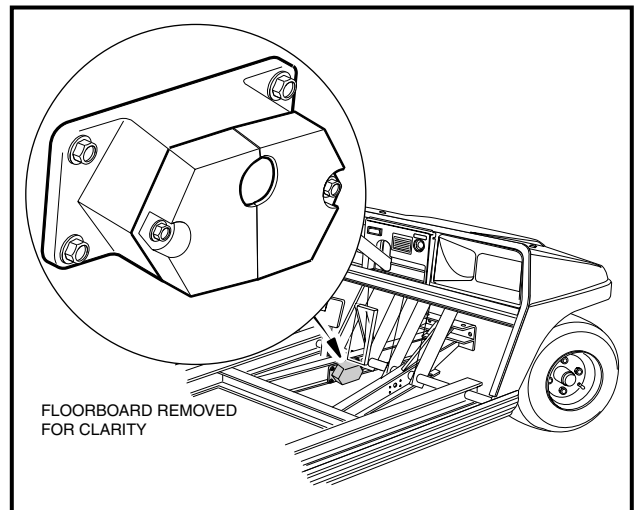


Figure 3-2 Electric Vehicle Equipped with CVP (Continuously Variable Potentiometer)

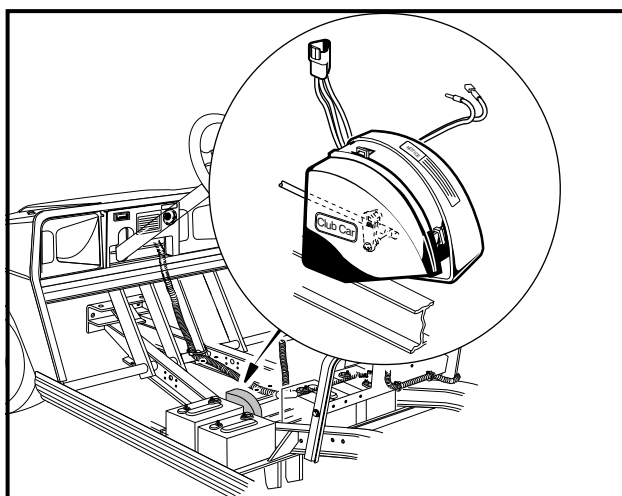


Figure 3-3 Electric Vehicle Equipped with Multi-Step Potentiometer

SERIAL NUMBER IDENTIFICATION

The serial number of the vehicle is printed on a bar code decal mounted on the frame directly above the accelerator pedal (Example: F0101-123456 for electric or FG0101-123456 for gasoline) (**Figure 3-5, Page 3-4**). There is a second serial number decal mounted on the front body frame behind the center dash panel. The center dash panel must be removed to view this number (**Figure 3-5, Page 3-4**).

NOTE: Always have the vehicle serial number at hand when ordering parts or making inquiries.

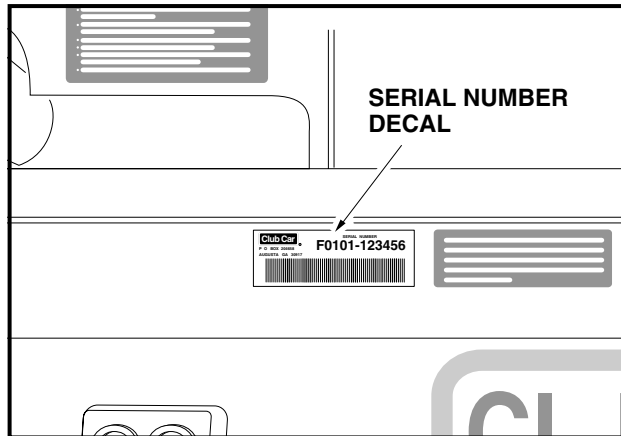


Figure 3-4 Serial Number Decal

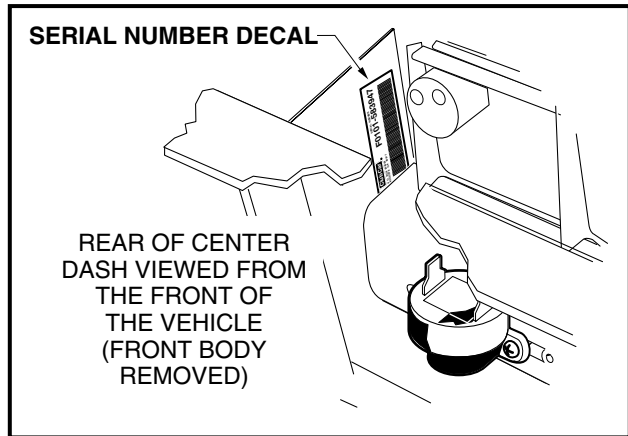


Figure 3-5 Serial Number Decal Behind Dash

STORAGE – GASOLINE VEHICLE

Read **DANGER** and **WARNING** on page 3-1.

DANGER

- Never attempt to drain gasoline when the engine is hot or while it is running.
- Be sure to clean up any spilled gasoline before operating the vehicle.
- Store gasoline in an approved gasoline container only. Store in a well-ventilated area away from sparks, open flames, heaters, or heat sources.
- Keep gasoline out of the reach of children.
- Do not siphon gasoline from the vehicle.

WARNING

- Turn the key switch **OFF**, remove the key, and leave the Forward/Reverse handle in the **NEUTRAL** position during storage. This is to prevent unintentionally starting the vehicle or a fire hazard.
- Turn fuel shut-off valve to closed (**OFF**) position (**Figure 3-6, Page 3-6**).
- Do not attempt to charge frozen batteries or batteries with bulged cases. Discard the battery. Frozen batteries can explode.

CAUTION

- Batteries in a low state of charge will freeze at low temperatures.

PREPARING THE GASOLINE VEHICLE FOR EXTENDED STORAGE

1. Unload the vehicle so that tires are supporting only the weight of the vehicle.
2. Batteries should be clean and free of corrosion. Wash tops and terminals of batteries with a solution of baking soda and water (1 cup (237 mL) baking soda per 1 gallon (3.8 L) of water). Rinse solution off batteries. Do not allow this solution to enter the batteries. Be sure terminals are tight. Let the terminals dry and then coat them with Battery Terminal Protector Spray (CCI P/N 1014305).
3. Store vehicle in a cool, dry place. This will minimize battery self-discharge. If the battery appears to be weak, have it charged by a trained technician. Use an automotive-type 12-volt battery charger rated at 10 amps or less.
4. Drain carburetor and seal the fuel tank.
 - 4.1. Place the Forward/Reverse handle in the NEUTRAL position and the neutral lockout cam in the SERVICE position. Turn the fuel shut-off valve to the closed (OFF) position (**Figure 3-6, Page 3-6**) and run the engine until fuel remaining in the carburetor and fuel lines is depleted and the engine stalls. Return the neutral lockout cam to the OPERATE position.
 - 4.2. Loosen, but do not remove, the carburetor drain screw and drain fuel remaining in bowl into a small container, then pour the fuel from the container into vehicle fuel tank. Tighten the carburetor drain screw.
 - 4.3. Fill fuel tank to about 1 inch (2.5 cm) from top of fuel tank and, following manufacturer's directions, add a commercially available fuel stabilizer (such as Sta-Bil[®]).
 - 4.4. Disconnect fuel vent line from fuel tank vent nipple.
 - 4.5. Plug the fuel tank vent nipple so that it is air tight. We recommend using a slip-on vinyl cap.
5. Disconnect the battery cables as instructed. **See WARNING on page 3-1.**
6. To protect the engine, remove spark plug and pour 1/2 ounce (14.2 mL) of SAE 10 weight oil into engine through the spark plug hole. Rotate engine crankshaft by hand several times and then install the spark plug.
7. Adjust tires to recommended tire pressure. **See Section 2 – Vehicle Specifications.**
8. Lubricate front suspension and do all other semiannual periodic lubrication. **See Periodic Lubrication Schedule, Section 10 – Periodic Maintenance, in the appropriate maintenance and service supplement.**
9. Thoroughly clean front body, rear body, seats, cargo bed, engine compartment, and underside of vehicle.
10. Do not engage the park brake. Chock the wheels to prevent the vehicle from rolling.

RETURNING THE STORED GASOLINE VEHICLE TO SERVICE

1. Connect the battery cables, positive (+) cable first.
2. Restore fuel system to operation.
 - 2.1. Remove plug from the fuel tank vent nipple and connect fuel vent line to nipple. Open the fuel shut-off valve (**Figure 3-7, Page 3-6**). Make sure the valve is fully open. A partially closed fuel shut-off valve (**Figure 3-8, Page 3-6**) combined with the use of the choke can result in a fouled spark plug and engine failure.
 - 2.2. Place the Forward/Reverse handle in the NEUTRAL position and the neutral lockout cam in the SERVICE position. Crank the engine until fuel is pumped into the carburetor and fuel lines and the engine starts. Turn the engine off and return neutral lockout cam to the OPERATE position. **See following NOTE.**

NOTE: Due to the oil added to the engine in preparation for storage, engine may smoke excessively for a short while when running it for the first time after storage.

3. Adjust tires to recommended tire pressure. **See Section 2 – Vehicle Specifications.**
4. Perform the Pre-Operation and Daily Safety Checklist. **See vehicle owner's manual.**

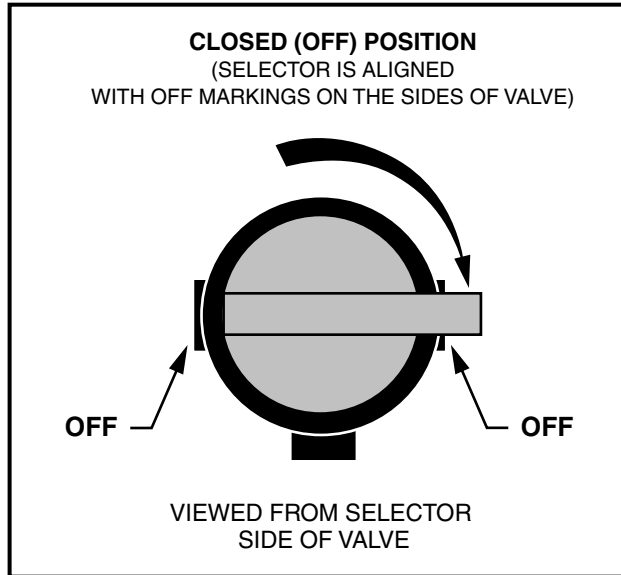


Figure 3-6 Fuel Shut-off Valve – Closed Position

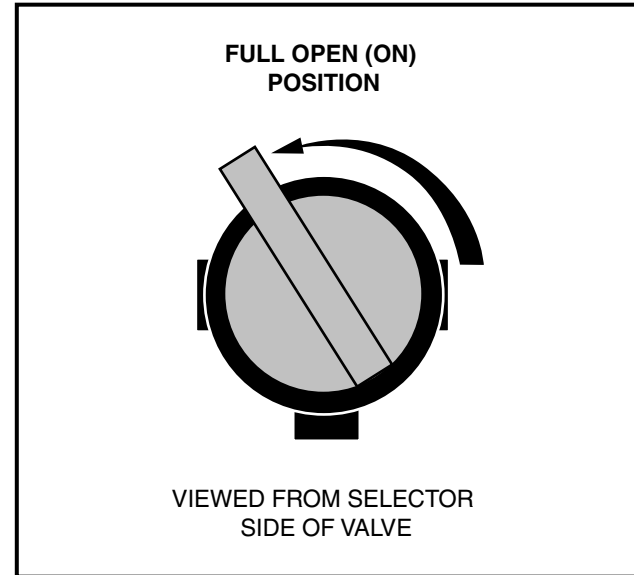


Figure 3-7 Fuel Shut-off Valve – Open Position

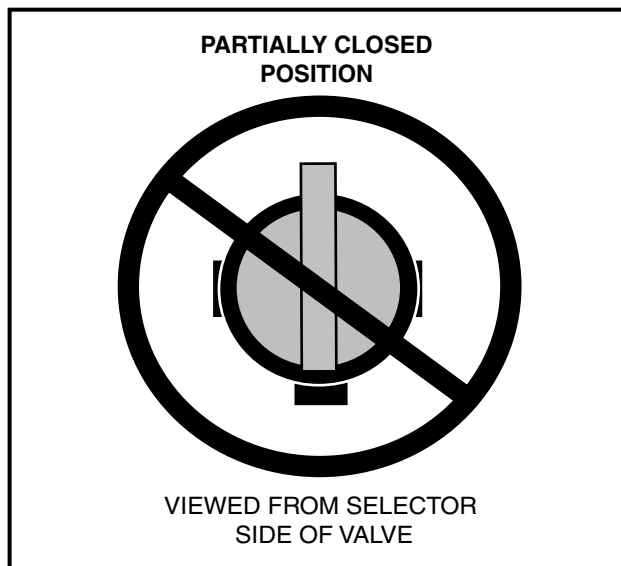


Figure 3-8 Incorrect Fuel Shut-off Valve Setting

STORAGE – ELECTRIC VEHICLE

Read **DANGER** and **WARNING** on page 3-1.

⚠ WARNING

- Turn the key switch **OFF**, remove the key, and leave the Forward/Reverse handle in the **NEUTRAL** position during storage. This is to prevent unintentionally starting the vehicle or a fire hazard.
- Do not attempt to charge frozen batteries or batteries with bulged cases. Discard the battery. Frozen batteries can explode.

CAUTION

- Batteries in a low state of charge will freeze at low temperatures.
- When washing the vehicle, do not direct water stream at the speed switch, Forward/Reverse switch, or other electronic component.

PREPARING THE ELECTRIC VEHICLE FOR EXTENDED STORAGE

1. Unload the vehicle so that tires are supporting only the weight of the vehicle.
2. Fully charge batteries. **See Section 13 – Batteries, in the appropriate maintenance and service supplement.**
3. Batteries should be clean and free of corrosion. Wash tops and terminals of batteries with a solution of baking soda and water (1 cup (237 mL) baking soda per 1 gallon (3.8 L) of water). Rinse solution off batteries. Do not allow this solution to enter the batteries. Be sure the terminals are tight. Let the terminals dry and then coat them with Battery Terminal Protector Spray (CCI P/N 1014305).
4. Store vehicle in a cool, dry place. This will minimize battery self-discharge.
5. Adjust tires to recommended tire pressure. **See Section 2 – Vehicle Specifications.**
6. Lubricate front suspension and do all other semiannual periodic lubrication. **See Periodic Lubrication Schedule, Section 10 – Periodic Maintenance, in the appropriate maintenance and service supplement.**
7. Thoroughly clean front body, rear body, seats, cargo bed, battery compartment, and underside of vehicle.
8. Do not engage the park brake. Chock the wheels to prevent the vehicle from rolling.
9. Keep batteries fully charged during storage.
 - Leave PowerDrive chargers plugged in during storage. The onboard computer will automatically activate the charger when necessary. If charger cannot remain plugged in, or AC power will not be available during extended storage, disconnect the battery cables for storage. **See WARNING on page 3-1.**

RETURNING THE STORED ELECTRIC VEHICLE TO SERVICE

1. If necessary, connect batteries.
2. Fully charge batteries. **See Section 13 – Batteries, in the appropriate maintenance and service supplement.**
3. Adjust tires to recommended tire pressure. **See Section 2 – Vehicle Specifications.**
4. Perform the Pre-Operation and Daily Safety Checklist. **See vehicle owner's manual.**

SECTION 4 – BODY AND TRIM

⚠ DANGER

- **Battery – Explosive gases! Do not smoke. Keep sparks and flames away from the vehicle and service area. Ventilate when charging or operating vehicle in an enclosed area. Wear a full face shield and rubber gloves when working on or near batteries.**
- **Battery – Poison! Contains acid! Causes severe burns. Avoid contact with skin, eyes, or clothing. Antidotes:**
 - **External: Flush with water. Call a physician immediately.**
 - **Internal: Drink large quantities of milk or water. Follow with milk of magnesia or vegetable oil. Call a physician immediately.**
 - **Eyes: Flush with water for 15 minutes. Call a physician immediately.**
- **Gasoline – Flammable! Explosive! Do not smoke. Keep sparks and flames away from the vehicle and service area. Service only in a well-ventilated area.**
- **Do not operate gasoline vehicle in an enclosed area without proper ventilation. The engine produces carbon monoxide, which is an odorless, deadly poison.**

⚠ WARNING

- **Follow the procedures exactly as stated in this manual, and heed all DANGER, WARNING, and CAUTION statements in this manual as well as those on the vehicle and battery charger.**
- **Only trained technicians should service or repair the vehicle or battery charger. Anyone doing even simple repairs or service should have knowledge and experience in electrical and mechanical repair. The appropriate instructions must be used when performing maintenance, service, or accessory installation.**
- **Prior to servicing the vehicle or leaving the vehicle unattended, turn the key switch OFF, remove the key, and place the Forward/Reverse handle in the NEUTRAL position. Chock the wheels when servicing the vehicle.**

Gasoline vehicles only:

- **To avoid unintentionally starting the vehicle:**
 - **Disconnect battery cables, negative (–) cable first. See Figure 1-1, Section 1, Page 1-3.**
 - **Disconnect the spark plug wire from the spark plug.**
- **Frame ground – Do not allow tools or other metal objects to contact frame when disconnecting battery cables or other electrical wiring. Do not allow a positive wire to touch the vehicle frame, engine, or any other metal component.**

Electric vehicles only:

- **To avoid unintentionally starting the vehicle, disconnect the batteries as shown. See Figure 1-2, Section 1, Page 1-3.**
- **After disconnecting the batteries, discharge the controller capacitors as follows:**
 - **Turn key switch to ON and place the Forward/Reverse handle in REVERSE.**
 - **Slowly depress the accelerator pedal and keep it depressed until the reverse warning buzzer can no longer be heard. When the buzzer stops sounding, the controller capacitors are discharged.**

WARNING CONTINUED ON NEXT PAGE...

⚠ WARNING

All vehicles:

- Wear safety glasses or approved eye protection when servicing the vehicle or battery charger. Wear a full face shield and rubber gloves when working on or near batteries.
- Do not wear loose clothing or jewelry such as rings, watches, chains, etc., when servicing the vehicle or battery charger.
- Moving parts! Do not attempt to service the vehicle while it is running.
- Hot! Do not attempt to service hot engine, exhaust system, or motor. Failure to heed this warning could result in severe burns.
- Use insulated tools when working near batteries or electrical connections. Use extreme caution to avoid shorting of components or wiring.
- Check the vehicle owner's manual for proper location of all vehicle safety and operation decals and make sure they are in place and are easy to read.
- Any modification or change to the vehicle that affects the stability or handling of the vehicle, or increases maximum vehicle speed beyond factory specifications, could result in severe personal injury or death.
- Lift only one end of the vehicle at a time. Use a suitable lifting device (chain hoist or hydraulic floor jack) with 1000 lb. (454 kg) minimum lifting capacity. Do not use lifting device to hold vehicle in raised position. Use approved jack stands of proper weight capacity to support the vehicle and chock the wheels that remain on the floor. When not performing a test or service procedure that requires movement of the wheels, lock the brakes.
- If wires are removed or replaced, make sure wiring and wire harness are properly routed and secured. Failure to properly route and secure wiring could result in vehicle malfunction, property damage, personal injury, or death.
- For vehicles with cargo beds, remove all cargo before raising the bed or servicing the vehicle. If the vehicle is equipped with a prop rod, ensure that it is securely engaged while bed is raised. Do not close bed until all persons are clear of cargo bed area. Keep hands clear of all crush areas. Do not drop cargo bed; lower gently and keep entire body clear. Failure to heed this warning could result in severe personal injury or death.
- Improper use of the vehicle or failure to properly maintain it could result in decreased vehicle performance, severe personal injury, or death.
- Do not leave children unattended on vehicle.

⚠ CAUTION

- Do not use detergents or cleaning solvents that contain ammonia, aromatic solvents, or alkali materials on body panels or seats.
- Do not allow battery acid to drip on body panels. Battery acid will cause permanent damage. Wash spilled battery acid from body panels immediately.

CLEANING THE VEHICLE

Read DANGER, WARNING, and CAUTION on page 4-1.

Each vehicle is equipped with an injection molded ArmorFlex[®] front body and aluminum rear body. Use a mild soap or detergent with a sponge or soft cloth for normal cleaning. Battery acid, fertilizers, tars, asphalt, creosote, paint, or chewing gum should be removed immediately to prevent possible stains. Because the finish on the front body is the same as the finish on today's automobiles, commercial automotive cleaning products should be used. For general cleaning of the aluminum rear body, use a mild liquid soap and a sponge or soft bristle brush. To remove oxidation or discoloration from aluminum, use a commercially available aluminum cleaner paste and fine grade (no. 00) steel wool.

Club Car does not recommend any type of pressure washing or steam cleaning. Such a process will expose electrical components to moisture. Moisture entering electrical components can result in water damage and subsequent component failure.

The seats of the vehicle will last longer with proper cleaning. To preserve seat appearance, clean regularly with mild soap or detergent applied with a sponge or soft cloth. Use a soft bristle brush to clean areas that are especially soiled. Use the following guidelines:

Light Soiling – A solution of 10% liquid soap and warm water applied with a soft, damp cloth is recommended. A soft bristle brush may be used if necessary. Wipe off any residue with a water dampened cloth.

For Difficult Stains – Dampen a soft, white cloth with a solution of 10% household bleach (sodium hypochlorite) and 90% water. Rub gently to remove stain, then rinse with a water dampened cloth to remove bleach concentration.

For More Difficult Stains – Perform previous procedure using full-strength bleach; or allow bleach to puddle on affected area for approximately 30 minutes. Rinse with a water dampened cloth to remove any remaining bleach concentration.

⚠ CAUTION

- To prevent damage to the vehicle when removing difficult stains or heavy soiling, remove the seat bottom from the vehicle first.

FRONT BODY REPAIR

Read **DANGER**, **WARNING**, and **CAUTION** on page 4-1.

STRESS LINES OR STREAKS

Repeatedly flexing the front body may cause white stress lines or streaks in the finish. To remove them:

1. Hold a heat gun 12 inches (30 cm) away from the affected area, with the gun on its lowest heat setting.
2. Slowly wave the heat gun back and forth over the affected area until the streak fades.
3. It may be necessary to move the gun closer to the body to fade the streak, but under no circumstance should the gun be held closer than 6 inches (15 cm) to the body.

⚠ CAUTION

- Holding heat gun too close to body could melt body or damage finish.

MINOR IMPACT DAMAGE/DEFORMATIONS

Minor impact damage in the front body can be repaired using a procedure similar to the one used to remove stress lines. To remove deformations resulting from minor impact damage:

1. Hold a heat gun 12 inches (30 cm) away from the affected area, with the gun on its lowest heat setting.
2. Periodically remove the heat gun and bend the body, using a push block, in the opposite direction of the deformation.
3. Continue heating and bending the body until the original shape returns. Under no circumstance should the gun be held closer than 6 inches (15 cm) to the body. **See preceding CAUTION.**

MINOR SCRATCHES AND SURFACE BLEMISHES

For minor scratches or blemishes in the ArmorFlex body that do not penetrate the finish:

1. Thoroughly clean the affected area using a strong, non-abrasive detergent and hot water, then clean with Ultra-Kleen® Solvent Cleaner to remove any oil-based contaminants.
2. Lightly buff imperfection with a clean, soft cloth or buff pad. Do not use any kind of polishing compound on monocoat finished body assemblies.
3. Wax the entire body part to restore luster and weather protection.

SMALL SCRATCHES THAT CANNOT BE BUFFED OUT

1. Thoroughly clean the affected area and then dry.
2. Using 240 grit or finer sandpaper, lightly sand scratch to feather edges. Finish sand scratch with 320 grit or finer paper to remove gloss from surface. Sand as little body surface as possible beyond scratch.

CAUTION

- **Be careful not to sand completely through the finish to the body material. If the finish is sanded through and the thermo plastic olefin (TPO) body material is exposed, refer to Gouges, Punctures, Tears, Large Scratches, and Abrasions on page 4-4.**
3. Using the brush provided with the touch-up paint (available from Club Car Service Parts, see following color chart), apply paint to the scratch. Multiple layers of paint may be required to fill the scratch.
 4. Allow paint to dry completely (approximately 10-20 minutes), then lightly buff the imperfection.
 5. Apply wax to the entire body part to restore luster and weather protection.

TOUCH-UP PAINT COLOR CHART

COLOR	CCI P/N
Beige	101997201
White	101997202
Red	101997203
Gray	101997204
Dark Gray	101997205
Royal Blue (Pacific Blue)	101997206
Black	101997207
Dark Green	101997209
Classic Blue (Navy)	101997211
Burgundy	101997212

GOUGES, PUNCTURES, TEARS, LARGE SCRATCHES, AND ABRASIONS

Touch-up is not recommended. Replace the entire body part or have it repaired by a professional paint and body repair shop with experience repairing TPO bodies.

FRONT BODY

Read **DANGER**, **WARNING**, and **CAUTION** on page 4-1.

FRONT BODY REMOVAL

1. Remove screws (8) and lock nuts (9) and lift front bumper (6) from vehicle frame (**Figure 4-1, Page 4-6**).
 - 1.1. **Turf 1 and Carryall 1 vehicles:** Remove blind rivets (10).
2. **Vehicles equipped with a heavy-duty front bumper (1):**
 - 2.1. Remove the two carriage bolts (5), lock nuts (3), and spacers (4) from the heavy-duty bumper mounting positions located on both sides of the front body.
 - 2.2. Remove carriage bolts (2) and lock nuts (3) from the heavy-duty bumper support braces and remove bumper.
3. Remove carriage bolts (15), lock nuts (17), and washers (16) from front body trim. Remove screws (14) from top of front body.
4. Loosen, but do not remove, screws (18) holding front body trim against front body (**Figure 4-1, Page 4-6**).
5. For vehicles equipped with headlights:
 - 5.1. Disconnect the light wiring harness from the headlight assemblies.
6. Pull front body (12) from under trim (13) and remove from vehicle (**Figure 4-1, Page 4-6**).

FRONT BODY INSTALLATION

1. Install front body (12) under trim (13), align holes and finger-tighten screws (14) holding front body against frame (**Figure 4-1, Page 4-6**).
2. Install carriage bolts (15), washers (16), and lock nuts (17) onto front body trim. Tighten bolts to 11 ft-lb (14.9 N·m). Tighten screws (14) to 20 in-lb (2.3 N·m).

NOTE: If installing a new front body, two 5/16 inch holes must be drilled after the body has been placed on the vehicle. Use the body trim (13) as a guide for drilling the holes.
3. Tighten screws (18) holding front body trim against front body to 17 in-lb (1.9 N·m) (**Figure 4-1, Page 4-6**).
4. For vehicles equipped with headlights:
 - 4.1. Reconnect the light wiring harness to the headlight assemblies.
5. For vehicles equipped with a heavy-duty front bumper:
 - 5.1. Install two carriage bolts (2) and lock nuts (3) from the heavy-duty front bumper support braces and install bumper (1). Tighten bolts to 65 in-lb (7.3 N·m) (**Figure 4-1, Page 4-6**).
 - 5.2. Install two carriage bolts (5), spacers (4), and lock nuts (3) into heavy-duty bumper mounting positions located on sides of front body (12). Tighten bolts to 65 in-lb (7.3 N·m).
6. For Turf 1 and Carryall 1 vehicles, install two push type blind rivets (10) that secure lower front body to frame (**Figure 4-1, Page 4-6**).
7. Install front bumper onto vehicle and install screws (8) and lock nuts (9). Tighten to 65 in-lb (7.3 N·m).

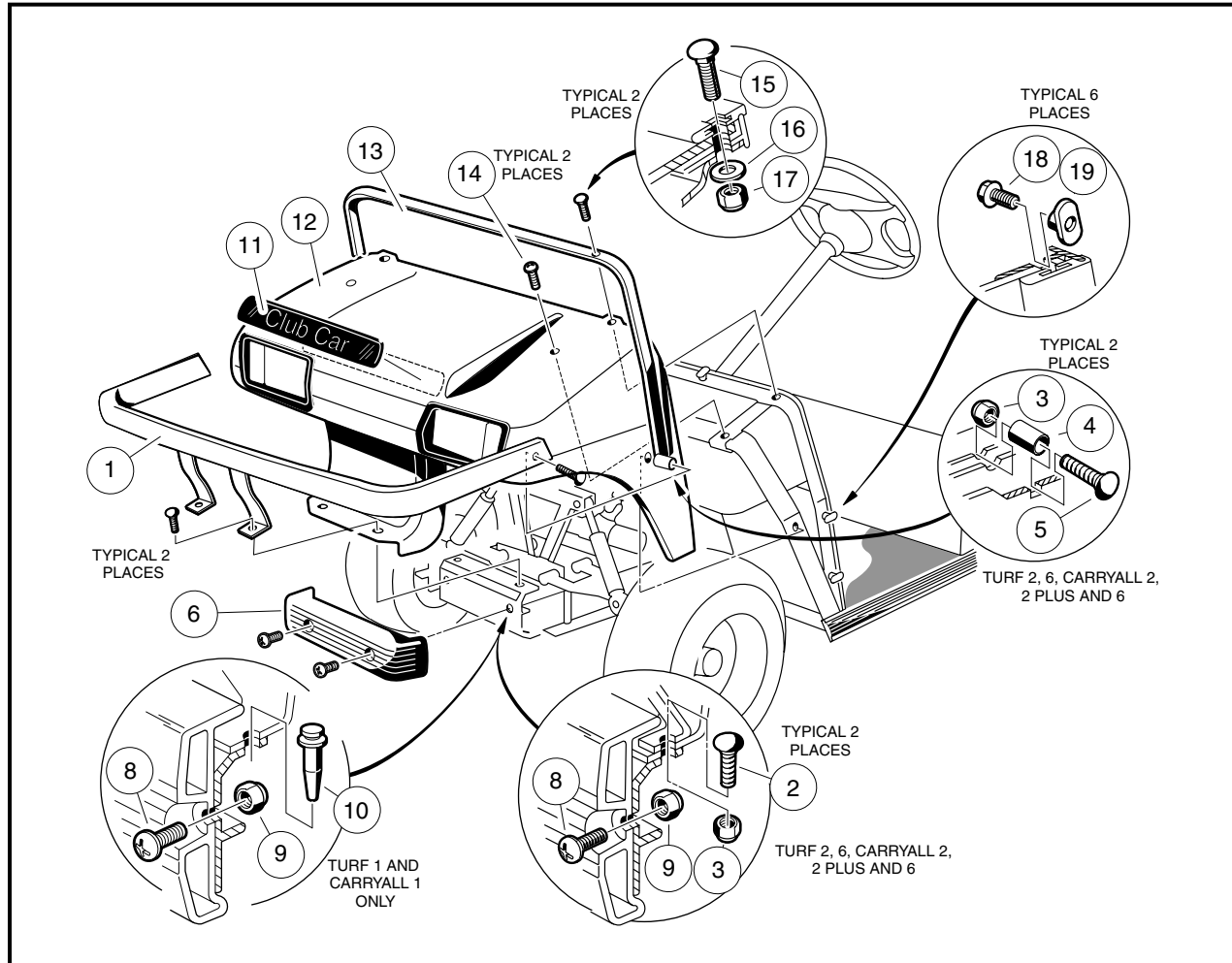


Figure 4-1 Front Body Assembly

TILT BED – TURF 1, 2, CARRYALL 1, 2 AND 2 PLUS

Read **DANGER**, **WARNING**, and **CAUTION** on page 4-1.

NOTE: Tilt bed removal and installation will be easier with a helper.

TILT BED REMOVAL

For Turf 6 and Carryall 6 flat bed removal, see page 4-8.

1. **Turf 2, Carryall 2, and 2 Plus only:** Raise bed and secure prop rod (17) in prop rod track (18). Hold bed securely in an upright position. Remove cotter pin (23) and flat washer (22) from top end of prop rod where prop rod attaches to bed. Remove prop rod (17) from bed and place prop rod between prop rod track (18) and rear body panel. Lower bed onto vehicle frame (**Figure 4-2, Page 4-7**).
2. Remove two lock nuts (10) from left and right tilt bed hinge assemblies (3).
3. Apply slight upward pressure (by hand) on the rear of the bed to relieve pressure on the hinges, and remove the hinge bolts (9) from the hinge assemblies.
4. Raise rear edge of bed approximately 6 inches (15.2 cm) and pull bed assembly toward rear of vehicle approximately 3 inches (7.6 cm) to release bed latch assembly (2) from latch plate (1).
5. Lift bed from vehicle.

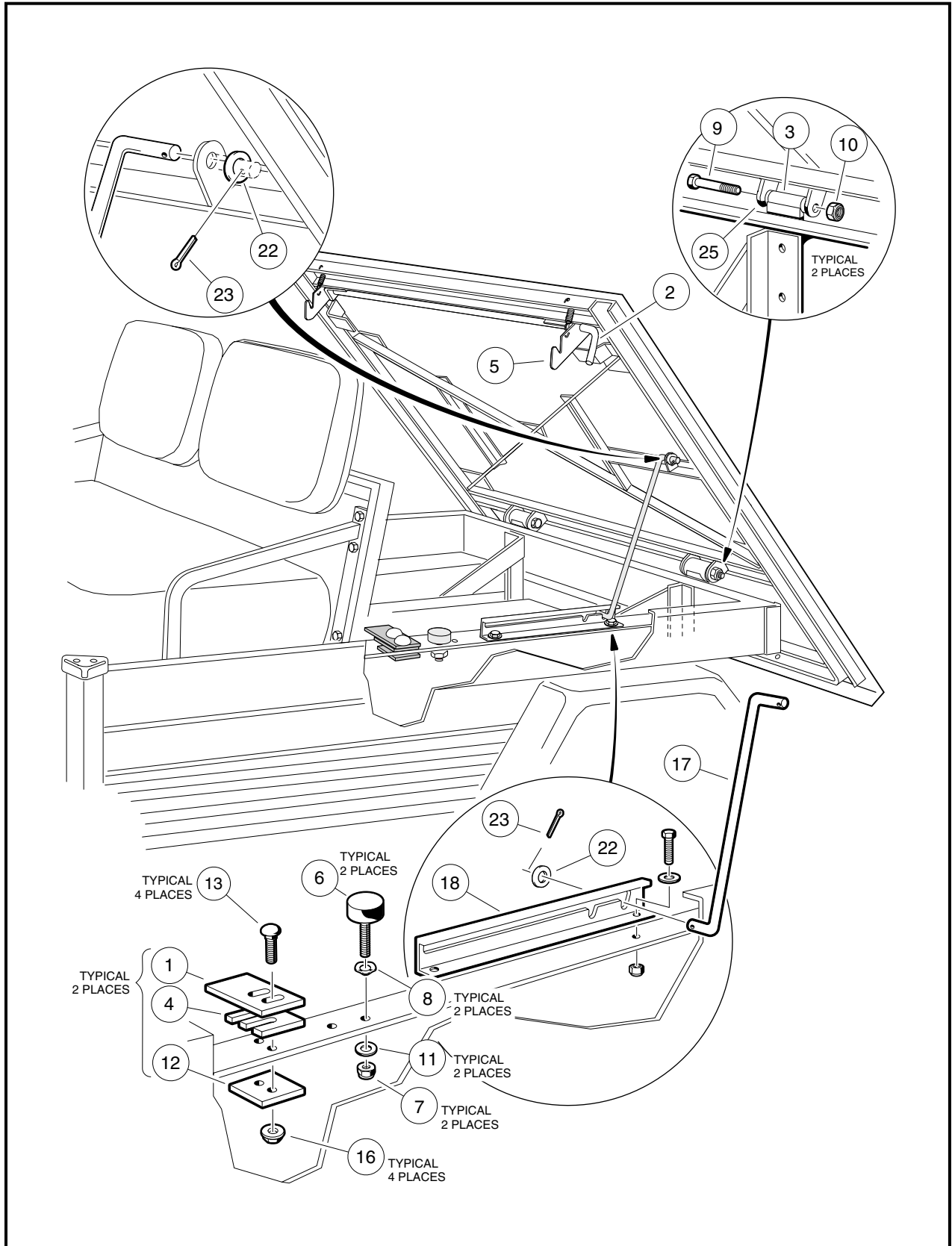


Figure 4-2 Tilt Bed – Turf 1, 2, Carryall 1, 2, and 2 Plus

TILT BED INSTALLATION

1. Hold bed at a slight angle (front of bed lower than rear of bed) to vehicle and place front edge of bed onto vehicle frame. Bed latches (5) should engage with latch plates (1) (**Figure 4-2, Page 4-7**).
2. Lower edge of bed onto vehicle and align hinge brackets (3) with bed hinge (25).
3. Start the bolts (9) into left and right hinge assemblies (3 and 25). It may be necessary to use an alignment tool to align holes in hinge bracket with steel bushing in hinge assembly.
4. Use a small hammer to lightly tap bolts through hinge assembly.
5. Install a nylon lock nut (10) on each bolt (9) and tighten to 15 ft-lb (21 N·m).
6. **Turf 2, Carryall 2, and 2 Plus only:** Lift bed and place the prop rod (17) in bed mounting hole. Install a 3/8 inch flat washer (22) and a new cotter pin (23) on prop rod (**Figure 4-2, Page 4-7**).

FLAT BED – TURF 6 AND CARRYALL 6

Read DANGER, WARNING, and CAUTION on page 4-1.

***NOTE:** Flat bed removal and installation will be easier with a helper.*

FLAT BED REMOVAL

1. Open access door in bed (5) and remove two lock nuts (20), four flat washers (19), and two 1/4 x 4 bolts (18). Close and latch access door (**Figure 4-3, Page 4-9**).
2. Remove two lock nuts (10) from left and right flat bed hinge assemblies.
3. Remove two 3/8 x 3 -3/8 bolts (9). Lift bed from vehicle.

FLAT BED INSTALLATION

1. Place bed on vehicle with bed front edge 1 inch (2.5 cm) from seat back support panel (28) and open access door (5) (**Figure 4-3, Page 4-9**).
2. Raise rear edge of bed 6 inches from vehicle frame and position bed so the left and right hand bed supports are resting on the support bumpers (24).
3. Lower rear edge of bed onto vehicle and make sure hinge brackets align with bed hinge.
4. Start the bolts (9) into left and right hinge assemblies. It may be necessary to use an alignment tool to align holes in hinge bracket with steel bushing in hinge assembly.
5. Install a nylon lock nut (10) on each bolt and tighten to 14 ft-lb (18.9 N·m).
6. Install 1/4 x 4 bolts (18), flat washers (19), and lock nuts (20) through the bed frame and vehicle frame on both sides of vehicle. Tighten to 75 in-lb (8 N·m) (**Figure 4-3, Page 4-9**).
7. Close access door and secure left and right door latches.

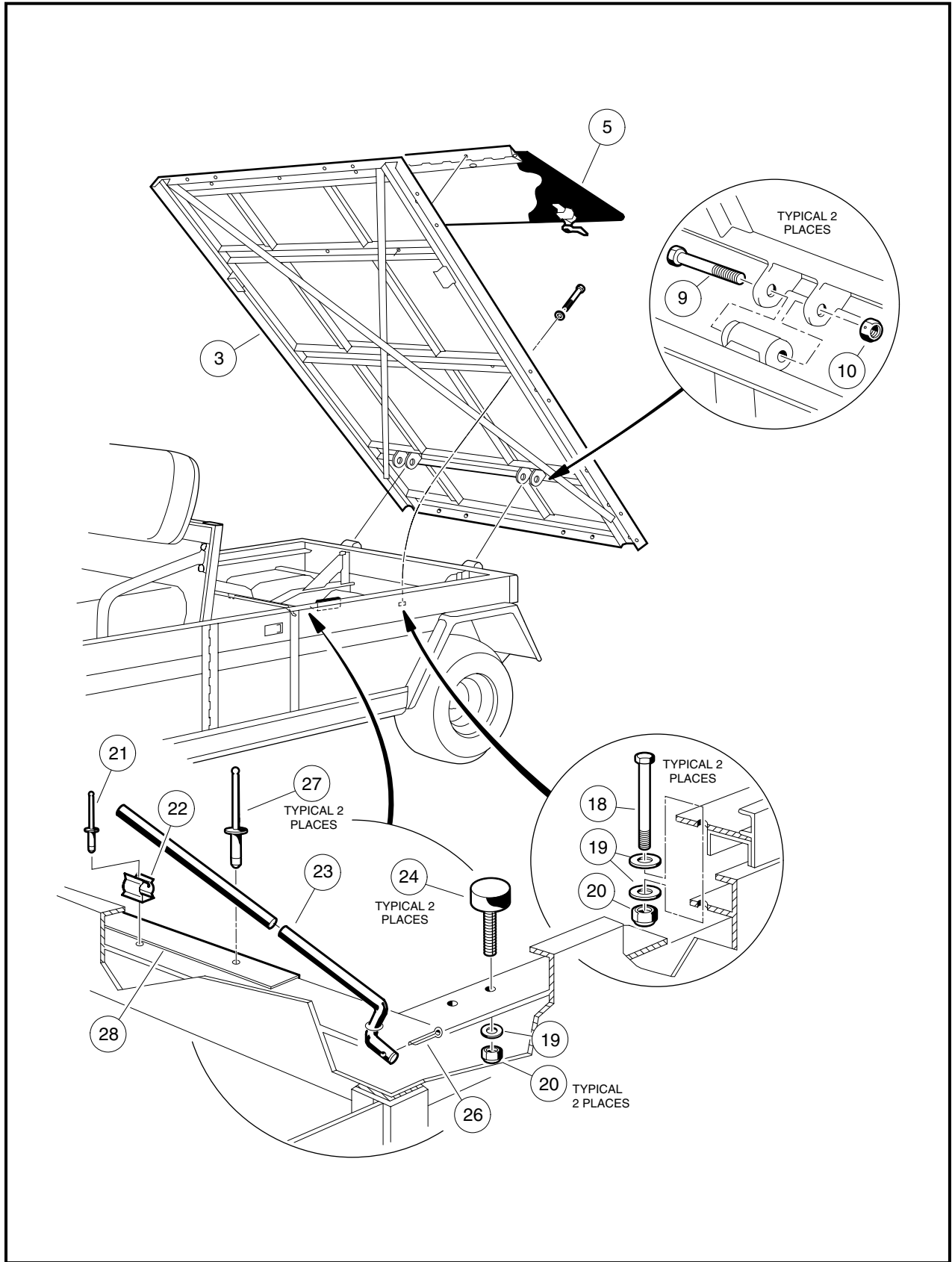


Figure 4-3 Flat Bed – Turf 6 and Carryall 6

FLAT BED TRIM – TURF 6 AND CARRYALL 6

Read **DANGER, WARNING, and CAUTION** on page 4-1.

FLAT BED TRIM REMOVAL

1. Release access door latches (11) and open access door (12) (**Figure 4-4, Page 4-11**).
2. Remove bolts, flat washers, and lock nuts that secure bed to vehicle frame.
3. Raise bed and place prop rod in bed support frame.
4. Remove four bolts (4), flat washers (5), and lock nuts (6) from trim strips (3) on front and rear edge of bed. Remove trim strips from bed.
5. Remove two bolts (7) and lock nuts (8) from the bracket (10) on driver-side trim strip (1). Remove bracket from bed.
6. Remove remaining hardware securing driver-side trim strip and remove trim strip from bed.
7. Repeat steps 6 and 5 to remove passenger side trim strip and brackets.

FLAT BED TRIM INSTALLATION

1. Install trim in the reverse order of removal.
2. Tighten bolts (4 and 7) to 8 ft-lb. (10.8 N·m) (**Figure 4-4, Page 4-11**).
3. Install bolts, flat washers, and lock nuts that secure bed to vehicle frame. Tighten bolts to 75 in-lb (8 N·m).

ACCESS DOOR – TURF 6 AND CARRYALL 6

Read **DANGER, WARNING, and CAUTION** on page 4-1.

ACCESS DOOR REMOVAL

1. Raise levers on left and right hand door latches (11), rotate them 180 degrees and open access door. Rest door against seat back support panel (**Figure 4-4, Page 4-11**).
2. Remove three lock nuts (17) and bolts (16) from access door side of hinge.
3. Remove access door from cargo bed.

ACCESS DOOR INSTALLATION

1. Install access door in the reverse order of removal (**Figure 4-4, Page 4-11**).
2. Tighten nuts (17) to 8 ft-lb (10.8 N·m).
3. Close access door and secure both door latches (11).

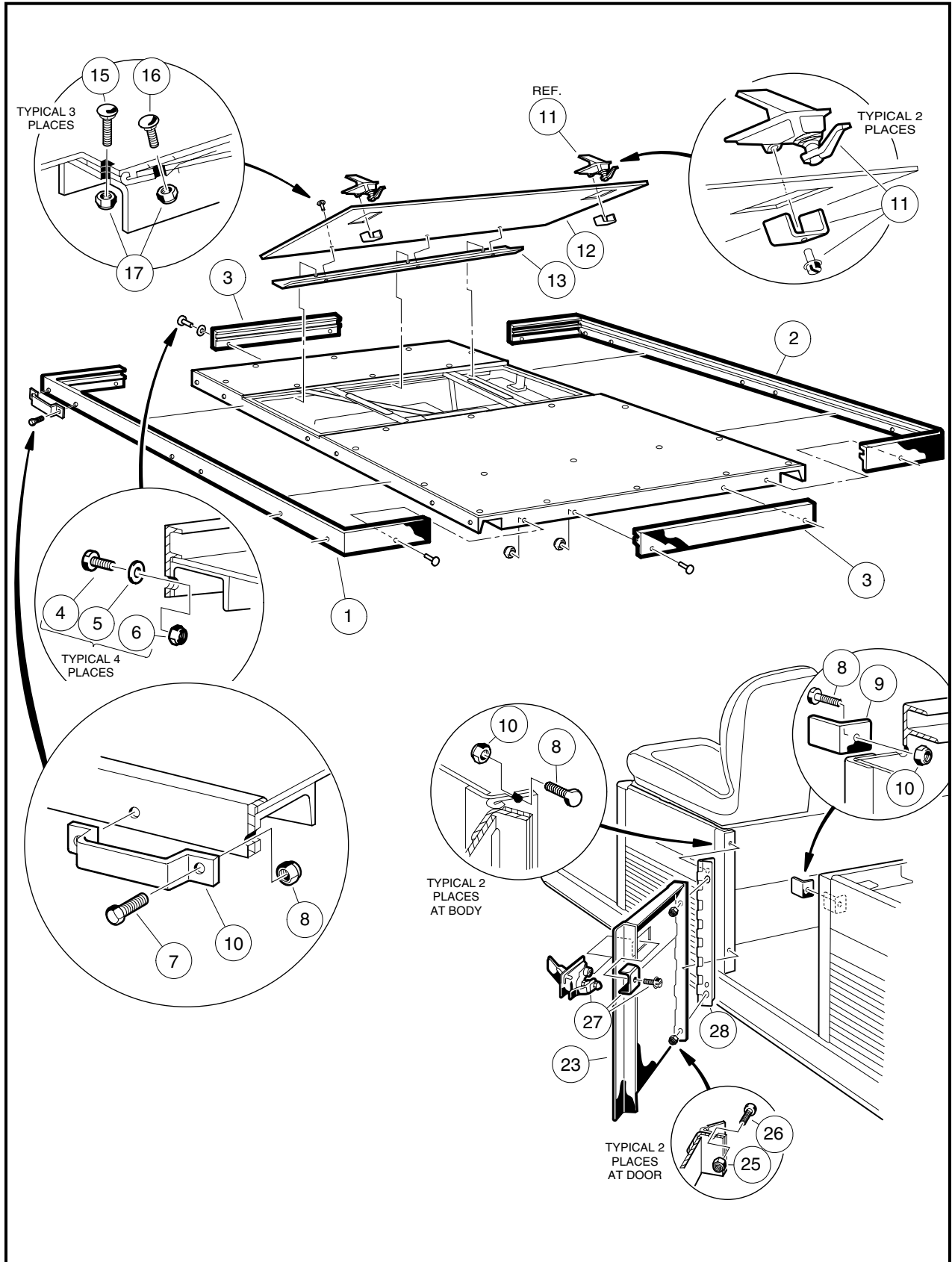


Figure 4-4 Flat Bed Trim, Access Door, and Side Door – Turf 6 and Carryall 6

SIDE DOOR – TURF 6 AND CARRYALL 6

Read **DANGER, WARNING, and CAUTION** on page 4-1.

SIDE DOOR REMOVAL

1. Lift door latch lever (27), rotate 180 degrees, and open side door (**Figure 4-4, Page 4-11**).
2. Remove two 1/4 x 5/8 bolts (26) and lock nuts (25) from door hinge.
3. Remove side door from rear body.

SIDE DOOR INSTALLATION

1. Install side doors in the reverse order of removal.
2. Tighten bolts to 35 in-lb (3.9 N·m). **See following NOTE.**

NOTE: When installing side door and hinge assembly, make sure mounting bolts are positioned so that when side door is closed, the mounting bolts do not prevent the side door from being closed all the way.

REAR FENDER

Read **DANGER, WARNING, and CAUTION** on page 4-1.

REAR FENDER REMOVAL

Turf 6, Carryall 6 and other vehicles with taillights:

1. Remove Taillight assembly.
 - 1.1. Remove the two screws (14) that secure taillight (15) to the rear fender (**Figure 4-6, Page 4-14**).
 - 1.2. Disconnect the three taillight wires.

All vehicles:

2. Remove two nylon lock nuts (3), flat washers (1), and 1/4 x 1 bolts (2) from front of fender (6) (**Figure 4-5, Page 4-13 or Figure 4-6, Page 4-14**).
3. Remove two nylon lock nuts (3), flat washers (1), and 1/4 x 1 bolts (2) and flat washers (1) from the top of fender (6) (**Figure 4-5, Page 4-13 or Figure 4-6, Page 4-14**).

Turf 6 and Carryall 6 only:

4. Remove the rear reverse buzzer.
 - 4.1. Remove pan head screws (16) connecting reverse buzzer (17) to rear fender (6) and disconnect the two wires from the reverse buzzer (**Figure 4-6, Page 4-14**).

All vehicles:

5. Remove fender (6) from vehicle (**Figure 4-5, Page 4-13 or Figure 4-6, Page 4-14**).

REAR FENDER INSTALLATION

1. Install rear fender in the reverse order of removal. Tighten bolts (2) to 35 in-lb (4.0 N·m).

TRAILER HITCH (OPTIONAL ON SOME MODELS)

Read **DANGER**, **WARNING**, and **CAUTION** on page 4-1.

TRAILER HITCH REMOVAL

1. Remove the tailskirt. See **Tailskirt Removal** on page 4-15.
2. Where the hitch (7) is mounted to frame, remove two nuts (12), lock washers (11), flat washers (10), and bolts (9) (**Figure 4-5, Page 4-13**).
3. Where the hitch (7) is mounted to hitch brace (8), remove the nut (12), lock washer (11), flat washer (10), and bolt (9).
4. Remove hitch (7) from vehicle.

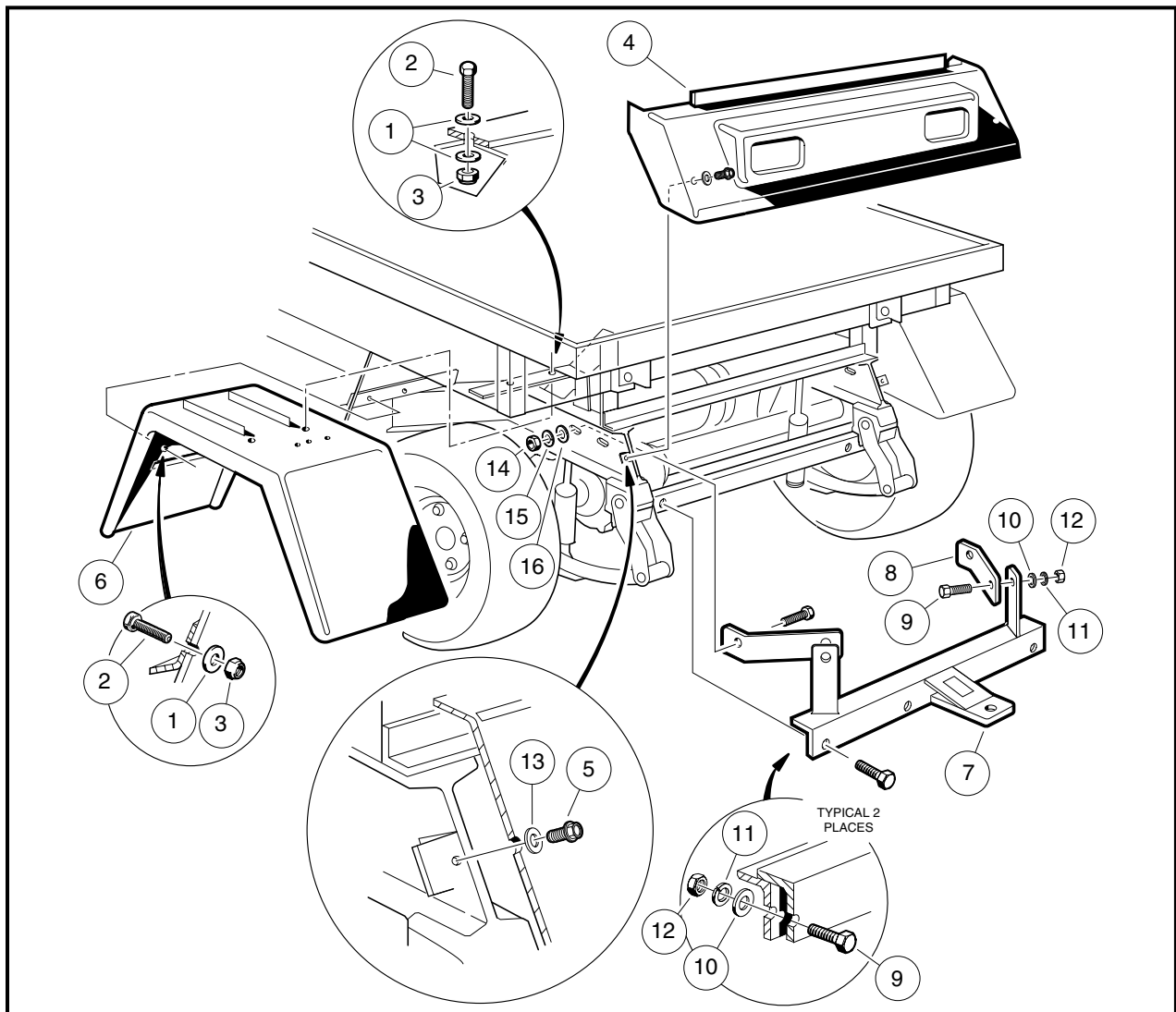


Figure 4-5 Rear Fender, Trailer Hitch and Tailskirt – Turf 1, 2, Carryall 1, 2, and 2 Plus

TRAILER HITCH INSTALLATION

1. Install trailer hitch (14) in the reverse order of removal. (**Figure 4-5, Page 4-13**). Tighten hardware to 15 ft-lb (20.3 N-m).

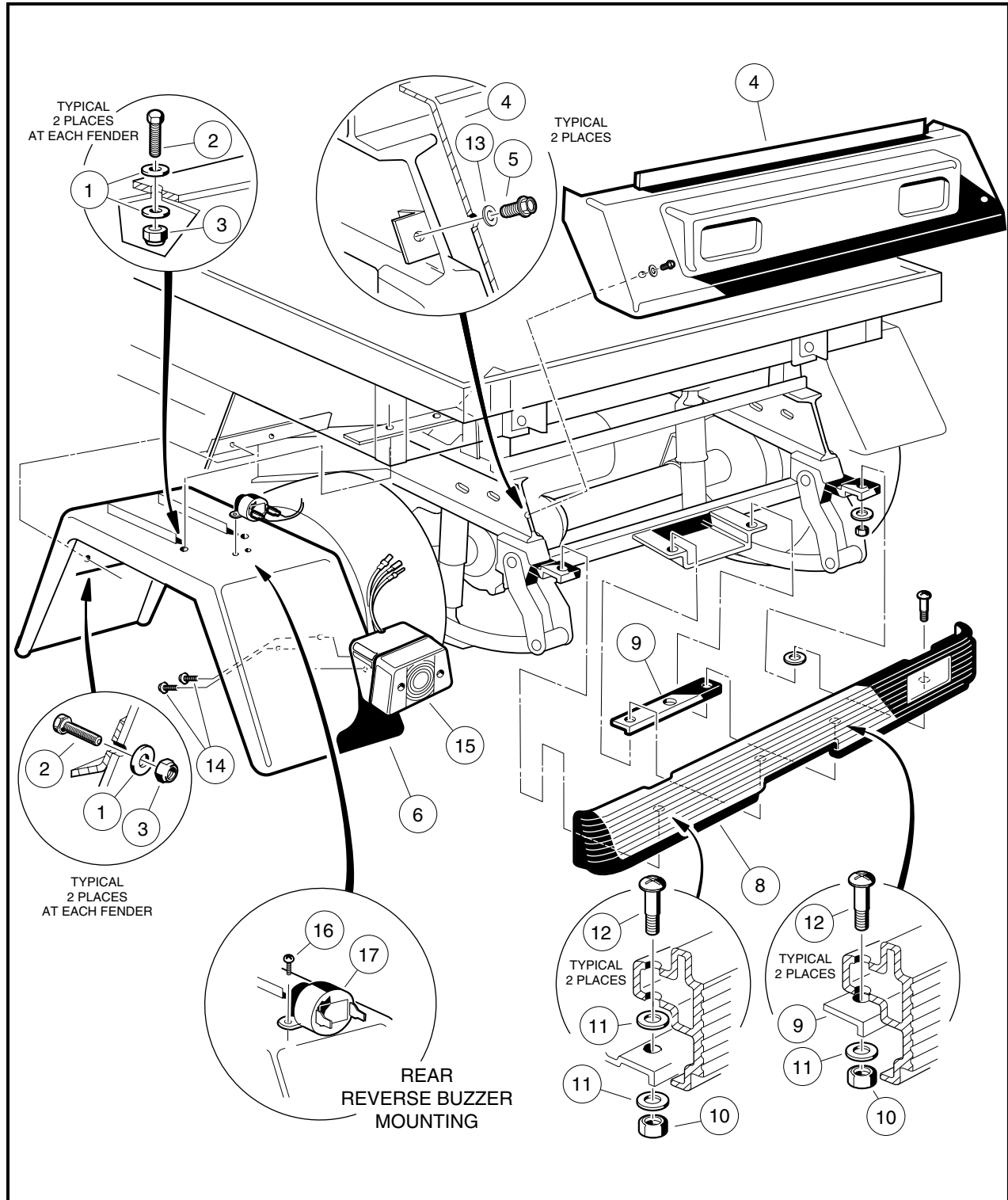


Figure 4-6 Rear Fender and Tailskirt – Turf 6 and Carryall 6

TAILSKIRT

Read **DANGER, WARNING, and CAUTION** on page 4-1.

TAILSKIRT REMOVAL

1. Remove two thread-forming screws (5) and flat washers (13) from tailskirt (4) and lift tailskirt from vehicle frame (**Figure 4-5, Page 4-13 or Figure 4-6, Page 4-14**).

TAILSKIRT INSTALLATION

1. Insert upper edge of tailskirt (4) under, and in front of, back edge of rear body (**Figure 4-5, Page 4-13 or Figure 4-6, Page 4-14**).
2. Align holes in tailskirt (4) with holes in vehicle frame. Position tailskirt flush against frame.
3. Install two thread-forming screws (5) and flat washers (13) in tailskirt and tighten to 55 in-lb (6.215 N·m).

FLOOR MAT

Read **DANGER, WARNING, and CAUTION** on page 4-1.

FRONT FLOOR MAT REMOVAL

1. Remove the brake and accelerator pedals. **See Section 5 – Accelerator and Brake Pedal Group.**
2. Remove horn switch if so equipped.
3. Remove the top edge of the floor mat from the overlapping flange under the dash.
4. Lift the mat from the vehicle.

FRONT FLOOR MAT INSTALLATION

1. Install the floor mat in the reverse order of removal.
2. Install the brake and accelerator pedals. **See Section 5 – Accelerator and Brake Pedal Group.**

REAR FLOOR MAT REMOVAL – TURF 6 AND CARRYALL 6 ONLY

1. On the driver or passenger side of the vehicle, gently pry the edges of the floor mat and pull the floor mat in the direction of the front of the vehicle so that it is no longer under the lip of the body located directly behind the floor mat.
2. Slightly bend the floor mat on each side of the vehicle to free it from the center body assembly located in front of the floor mat.
3. Lift the floor mat from the vehicle.

REAR FLOOR MAT INSTALLATION – TURF 6 AND CARRYALL 6 ONLY

1. Install the floor mat in the reverse order of removal.

BUMPER

Read **DANGER**, **WARNING**, and **CAUTION** on page 4-1.

BUMPER REMOVAL

1. Remove four lock nuts (10), six flat washers (11), four phillips bolts (12), and mounting plate (9) from rear bumper (8) (**Figure 4-6, Page 4-14**).
2. Lift bumper from vehicle.

BUMPER INSTALLATION

1. Install the rear bumper in the reverse order of removal. Tighten nuts to 65 in-lb (7.3 N·m) (**Figure 4-6, Page 4-14**).

SECTION 5 – ACCELERATOR AND BRAKE PEDAL GROUP

⚠ DANGER

- **Battery – Explosive gases! Do not smoke. Keep sparks and flames away from the vehicle and service area. Ventilate when charging or operating vehicle in an enclosed area. Wear a full face shield and rubber gloves when working on or near batteries.**
- **Battery – Poison! Contains acid! Causes severe burns. Avoid contact with skin, eyes, or clothing. Antidotes:**
 - **External: Flush with water. Call a physician immediately.**
 - **Internal: Drink large quantities of milk or water. Follow with milk of magnesia or vegetable oil. Call a physician immediately.**
 - **Eyes: Flush with water for 15 minutes. Call a physician immediately.**
- **Gasoline – Flammable! Explosive! Do not smoke. Keep sparks and flames away from the vehicle and service area. Service only in a well-ventilated area.**
- **Do not operate gasoline vehicle in an enclosed area without proper ventilation. The engine produces carbon monoxide, which is an odorless, deadly poison.**

⚠ WARNING

- **Follow the procedures exactly as stated in this manual, and heed all DANGER, WARNING, and CAUTION statements in this manual as well as those on the vehicle and battery charger.**
- **Only trained technicians should service or repair the vehicle or battery charger. Anyone doing even simple repairs or service should have knowledge and experience in electrical and mechanical repair. The appropriate instructions must be used when performing maintenance, service, or accessory installation.**
- **Prior to servicing the vehicle or leaving the vehicle unattended, turn the key switch OFF, remove the key, and place the Forward/Reverse handle in the NEUTRAL position. Chock the wheels when servicing the vehicle.**

Gasoline vehicles only:

- **To avoid unintentionally starting the vehicle:**
 - **Disconnect battery cables, negative (–) cable first. See Figure 1-1, Section 1, Page 1-3.**
 - **Disconnect the spark plug wire from the spark plug.**
- **Frame ground – Do not allow tools or other metal objects to contact frame when disconnecting battery cables or other electrical wiring. Do not allow a positive wire to touch the vehicle frame, engine, or any other metal component.**

WARNING CONTINUED ON NEXT PAGE...

WARNING

Electric vehicles only:

- To avoid unintentionally starting the vehicle, disconnect the batteries as shown. See Figure 1-2, Section 1, Page 1-3.
- After disconnecting the batteries, discharge the controller capacitors as follows:
 - Turn key switch to ON and place the Forward/Reverse handle in REVERSE.
 - Slowly depress the accelerator pedal and keep it depressed until the reverse warning buzzer can no longer be heard. When the buzzer stops sounding, the controller capacitors are discharged.

All vehicles:

- Wear safety glasses or approved eye protection when servicing the vehicle or battery charger. Wear a full face shield and rubber gloves when working on or near batteries.
- Do not wear loose clothing or jewelry such as rings, watches, chains, etc., when servicing the vehicle or battery charger.
- Moving parts! Do not attempt to service the vehicle while it is running.
- Hot! Do not attempt to service hot engine, exhaust system, or motor. Failure to heed this warning could result in severe burns.
- Use insulated tools when working near batteries or electrical connections. Use extreme caution to avoid shorting of components or wiring.
- Check the vehicle owner's manual for proper location of all vehicle safety and operation decals and make sure they are in place and are easy to read.
- Any modification or change to the vehicle that affects the stability or handling of the vehicle, or increases maximum vehicle speed beyond factory specifications, could result in severe personal injury or death.
- Lift only one end of the vehicle at a time. Use a suitable lifting device (chain hoist or hydraulic floor jack) with 1000 lb. (454 kg) minimum lifting capacity. Do not use lifting device to hold vehicle in raised position. Use approved jack stands of proper weight capacity to support the vehicle and chock the wheels that remain on the floor. When not performing a test or service procedure that requires movement of the wheels, lock the brakes.
- If wires are removed or replaced, make sure wiring and wire harness are properly routed and secured. Failure to properly route and secure wiring could result in vehicle malfunction, property damage, personal injury, or death.
- For vehicles with cargo beds, remove all cargo before raising the bed or servicing the vehicle. If the vehicle is equipped with a prop rod, ensure that it is securely engaged while bed is raised. Do not close bed until all persons are clear of cargo bed area. Keep hands clear of all crush areas. Do not drop cargo bed; lower gently and keep entire body clear. Failure to heed this warning could result in severe personal injury or death.
- Improper use of the vehicle or failure to properly maintain it could result in decreased vehicle performance, severe personal injury, or death.
- Do not leave children unattended on vehicle.

BRAKE PEDAL AND PARK BRAKE

Read **DANGER** and **WARNING** on page 5-1.

BRAKE PEDAL REMOVAL

1. Disconnect the battery cables as instructed. See **WARNING** on page 5-1.
2. Place chocks under the rear wheels and lift the front end of the vehicle with a chain hoist or floor jack. Place jack stands under the front cross tube of the vehicle frame and lower the vehicle onto the jack stands. See following **WARNING**.

▲ WARNING

- **Lift only one end of the vehicle at a time. Use a suitable lifting device (chain hoist or hydraulic floor jack) with 1000 lb. (454 kg) minimum lifting capacity. Do not use lifting device to hold vehicle in raised position. Use approved jack stands of proper weight capacity to support the vehicle and chock the wheels that remain on the floor. When not performing a test or service procedure that requires movement of the wheels, lock the brakes.**
3. Remove the brake pedal assembly.
 - 3.1. Remove shoulder bolts (16) and nuts (15) then disconnect the rod(s) (14 and 36) from the pedal shaft (**Figure 5-1, Page 5-4 or Figure 5-2, Page 5-5**).
 - 3.2. **For two-wheel brake vehicles:**
 - 3.2.1. Remove the nuts (34), flat washers (27), bolts (28), and mounting blocks (26). If the mounting blocks (26) show signs of excessive wear or are damaged, they must be replaced with new ones before installing pedal assembly (**Figure 5-1, Page 5-4**).
 - 3.3. **For four-wheel brake vehicles:**
 - 3.3.1. Remove the nuts (34), retaining plates (35), bolts (28), and mounting blocks (26). If the mounting blocks (26) show signs of excessive wear or are damaged, they must be replaced with new ones before installing pedal assembly (**Figure 5-2, Page 5-5**).
 - 3.4. Remove the nut (25) and brake stop bumper (24) (**Figure 5-1, Page 5-4 or Figure 5-2, Page 5-5**).
 - 3.5. Lift the pedal assembly (10) through the floorboard.

BRAKE PEDAL INSTALLATION

1. From the top side of the floorboard, insert the brake pedal assembly (10) (**Figure 5-1, Page 5-4 or Figure 5-2, Page 5-5**) through the opening in the floor as shown (**Figure 5-3, Page 5-6**) and install the brake pedal stop bumper (24) (**Figure 5-1, Page 5-4 or Figure 5-2, Page 5-5**) on the brake pedal assembly, but do not tighten the jam nut (25) at this time.
2. Attach the equalizer rod(s) (14 and 36) to the brake pedal assembly (10) as shown (**Figure 5-1, Page 5-4 or Figure 5-2, Page 5-5**). Tighten to 17 in-lb (1.9 N·m). **See following NOTE.**

NOTE: *On two-wheel brake vehicles, the equalizer rod is secured to the left (driver-side) channel on the brake pedal weldment.*

For Turf 2 and Carryall 2 vehicles with four-wheel brakes and Carryall 2 Plus vehicles, there are two equalizer rods. The long rod (21-1/4 inches (54 cm)) is secured to the left (driver-side) channel, and the short rod (9-1/4 inches (23.5 cm)) is secured to the right (passenger-side) channel on the brake pedal weldment.

On Turf 6 and Carryall 6 vehicles, there are two equalizer rods. The long rod (42-1/4 inches (107.3 cm)) is secured to the left (driver-side) channel on the brake pedal weldment, and the short rod (9-1/4 inches (23.5 cm)) is secured to the right (passenger-side) channel on the brake pedal.

3. Position and attach brake pedal assembly, mounting blocks (26), and washers (27) or retainer plates (35) to vehicle frame as shown. If the mounting blocks are made of black material, tighten the bolts and nuts to 70 in-lb (7.9 N·m). If the mounting blocks are made of white material, tighten the bolts and nuts to 113 in-lb (12.8 N·m) (**Figure 5-1, Page 5-4 or Figure 5-2, Page 5-5**).
4. Adjust the pedal group. Refer to the appropriate adjustment procedure:
 - **For gasoline vehicles, see Pedal Group Adjustment – Gasoline Vehicles on page 5-16.**
 - **For electric vehicles with MCOR, see Pedal Group Adjustment – Electric Vehicles with MCOR on page 5-21.**
 - **For electric vehicles with continuously-variable potentiometers, see Pedal Group Adjustment – Electric Vehicles with CVP on page 5-22.**
 - **For electric vehicles with multi-step potentiometers, see Pedal Group Adjustment – Multi-Step Pot. Electric Vehicles on page 5-27.**

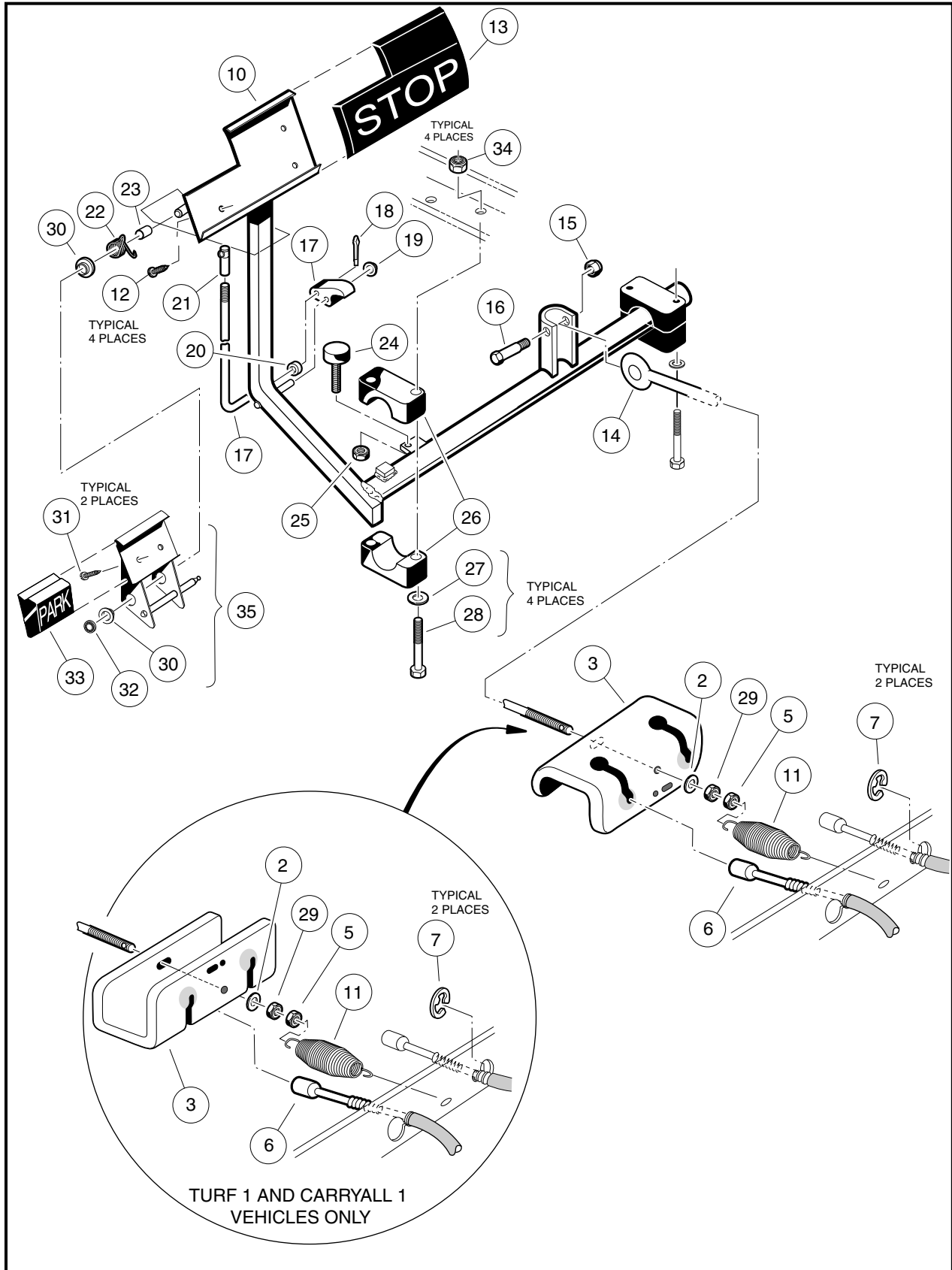


Figure 5-1 Brake and Park Brake Pedal Assembly and Mounting – Two-Wheel Brake Vehicles

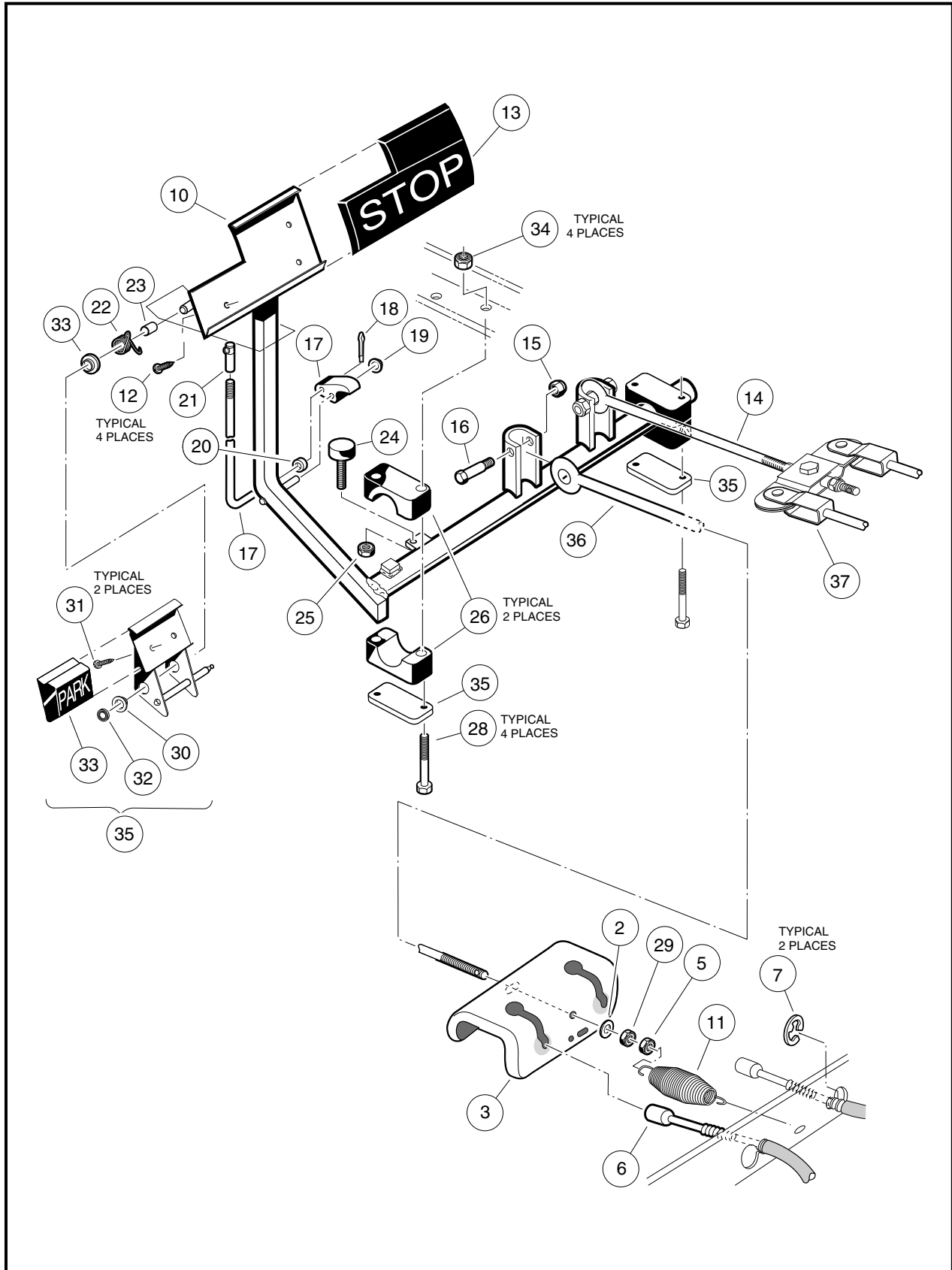


Figure 5-2 Brake and Park Brake Pedal Assembly and Mounting – Four-Wheel Brake Vehicles

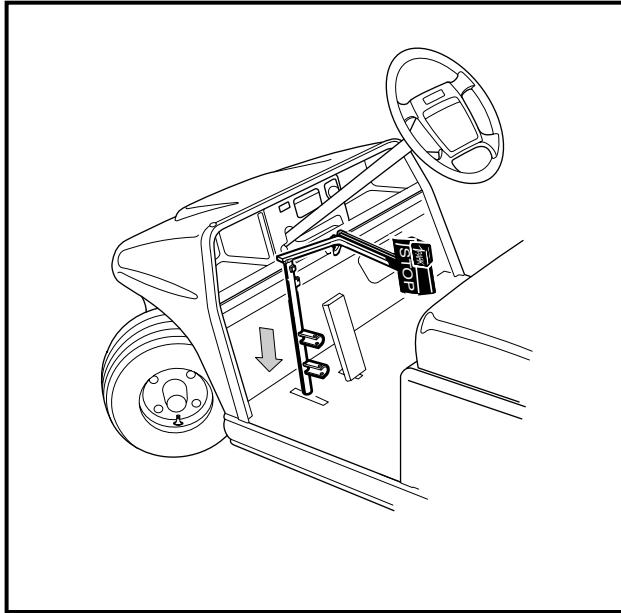


Figure 5-3 Brake Pedal Weldment Through Floor

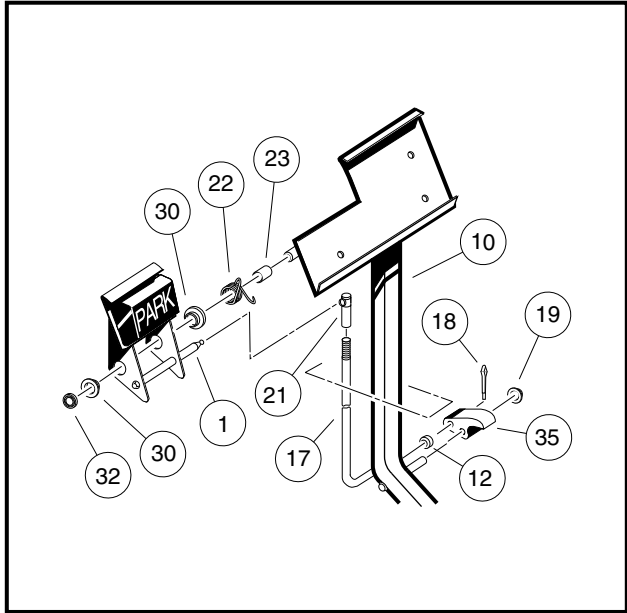


Figure 5-4 Park Brake Assembly

PARK BRAKE REMOVAL

1. Disconnect the battery cables as instructed. **See WARNING on page 5-1.**
2. Place chocks under the rear wheels and lift the front end of the vehicle with a chain hoist or floor jack. Place jack stands under the front cross tube of the vehicle frame and lower the vehicle onto the jack stands. **See following WARNING.**

⚠ WARNING

- **Lift only one end of the vehicle at a time. Use a suitable lifting device (chain hoist or hydraulic floor jack) with 1000 lb. (454 kg) minimum lifting capacity. Do not use lifting device to hold vehicle in raised position. Use approved jack stands of proper weight capacity to support the vehicle and chock the wheels that remain on the floor. When not performing a test or service procedure that requires movement of the wheels, lock the brakes.**

3. Remove the park brake assembly.
 - 3.1. To remove the park brake rod and pawl assembly (17 through 20), remove the push nut (19) and disconnect the ball joint sleeve (21) from the park brake pedal (35) (**Figure 5-1, Page 5-4 and Figure 5-2, Page 5-5**). **See following NOTE.**

NOTE: New push nuts (19) and (32) must be used when reassembling the park brake (**Figure 5-4, Page 5-6**).

- 3.2. To remove the park brake pedal (1), remove the push retainer nut (32), disconnect the torsion spring (22) (**Figure 5-4, Page 5-6**) and slide the pedal off of the shaft. **See preceding NOTE.**
- 3.3. Inspect all parts for wear and damage and replace as necessary.

PARK BRAKE INSTALLATION

1. From the bottom side of the floorboard, insert the park brake rod (17) through the brake pedal assembly opening as shown (**Figure 5-4, Page 5-6**). Then install the park brake pawl (35) onto the shaft on the brake pedal assembly (10) and also insert the park brake rod (17) into the park brake pawl.
2. Install the push nut (19) on to the park brake pawl shaft.
3. Install the spacer (23) and torsion spring (22) on the park brake pedal shaft on the brake pedal assembly.
4. Install the two bushings (30) in the park brake pedal and position the park brake pedal on the shaft on the brake pedal assembly weldment (10) (**Figure 5-4, Page 5-6**). Then attach the ends of the torsion spring to the park brake pedal and to the brake pedal weldment as shown (**Figure 5-5, Page 5-7**).
5. Install the push nut (32) on the park brake pedal shaft (**Figure 5-4, Page 5-6**).
6. Connect park brake rod (17) with ball joint (21) to the ball stud on the park brake pedal assembly (**Figure 5-4, Page 5-6**).
7. Adjust the pedal group. Refer to the appropriate adjustment procedure:
 - For gasoline vehicles, see Pedal Group Adjustment – Gasoline Vehicles on page 5-16.
 - For electric vehicles with MCOR, see Pedal Group Adjustment – Electric Vehicles with MCOR on page 5-21.
 - For electric vehicles with continuously-variable potentiometers, see Pedal Group Adjustment – Electric Vehicles with CVP on page 5-22.
 - For electric vehicles with multi-step potentiometers, see Pedal Group Adjustment – Multi-Step Pot. Electric Vehicles on page 5-27.

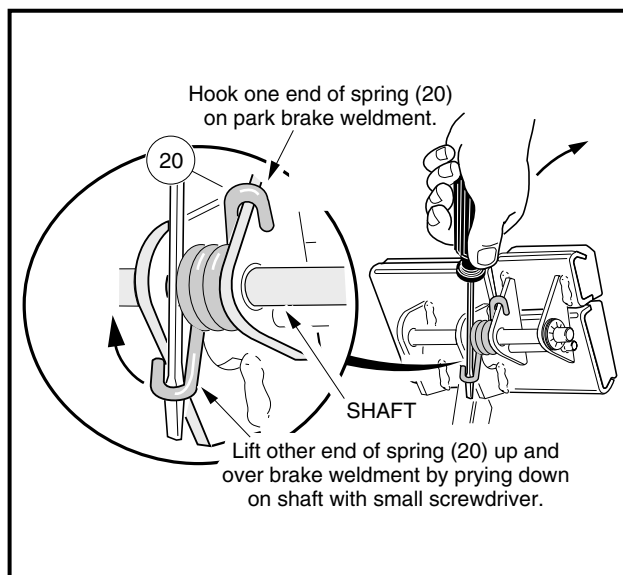


Figure 5-5 Torsion Spring Installation

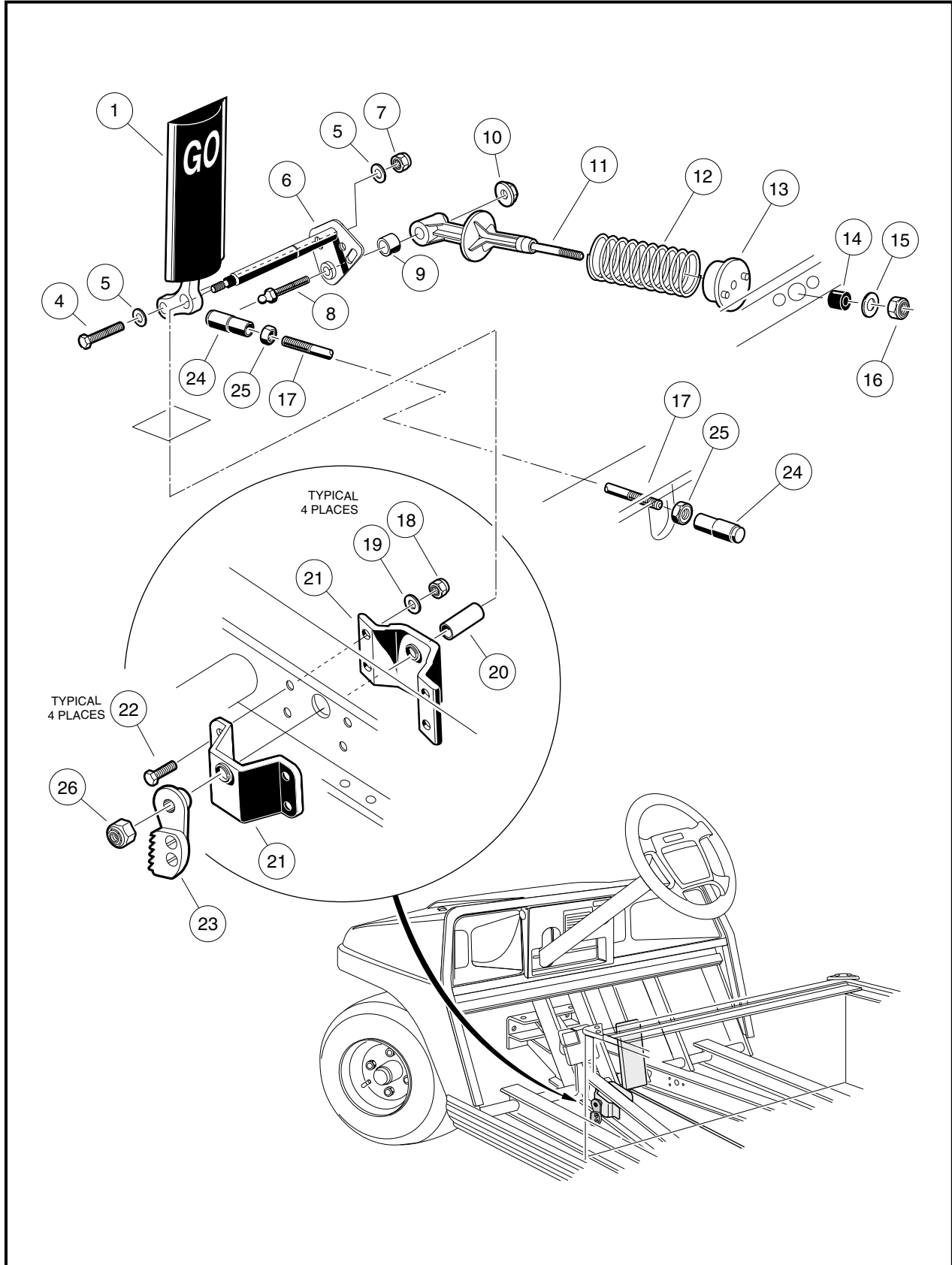


Figure 5-6 Accelerator Pedal – Electric Multi-Step Potentiometer Vehicles and all Gasoline Vehicles

ACCELERATOR PEDAL – GASOLINE AND MULTI-STEP POT. VEHICLES

Read **DANGER** and **WARNING** on page 5-1.

Refer to Throttle Input Device Identification – Electric Vehicles, Section 3, Page 3-3 to determine which throttle input device is used in the vehicle before proceeding with service. Service and adjustment procedures differ significantly, so it is important to make sure that the correct procedure is used.

- For electric vehicles equipped with a continuously-variable potentiometer, go to Accelerator Pedal – Electric Vehicle with CVP on page 5-11.
- For electric vehicles equipped with MCOR, go to Accelerator Pedal – Electric Vehicles with MCOR on page 5-13.

ACCELERATOR PEDAL REMOVAL – MULTI-STEP POTENTIOMETER VEHICLES AND GASOLINE VEHICLES

1. Disconnect the battery cables as instructed. **See WARNING on page 5-1.**
2. Place chocks under the rear wheels and lift the front end of the vehicle with a chain hoist or floor jack. Place jack stands under the front cross tube of the vehicle frame and lower the vehicle onto the jack stands. **See following WARNING.**

WARNING

- **Lift only one end of the vehicle at a time. Use a suitable lifting device (chain hoist or hydraulic floor jack) with 1000 lb. (454 kg) minimum lifting capacity. Do not use lifting device to hold vehicle in raised position. Use approved jack stands of proper weight capacity to support the vehicle and chock the wheels that remain on the floor. When not performing a test or service procedure that requires movement of the wheels, lock the brakes.**
3. Disconnect the accelerator rod assembly (17, 25, and 24) (**Figure 5-6, Page 5-8**) at the front and rear ball studs and remove it from the vehicle.
 4. Using a 9/16-inch socket and 9/16-inch wrench, remove the nut (7), two washers (5), and bolt (4) securing the accelerator pedal (1) to the pivot rod (6).
 5. Remove the nut (10) and ball stud (8) from the accelerator pivot rod assembly (6).
 6. Slide the spring retainer (11) off of the accelerator pivot rod.
 7. Inspect the pivot support bearing (9) for wear and replace if necessary.
 8. Use a marker to mark the position of the park brake ratchet (23) on the accelerator pivot rod (6). **See following NOTE.**
- NOTE:** *Failure to mark position of the ratchet could cause it to be reinstalled improperly, resulting in improper adjustment and possible failure of the park brake.*
9. Remove the lock nut (26) from the accelerator pivot rod.
 10. Depress the brake pedal slightly and slide the park brake ratchet (23) toward the end of the accelerator pivot rod. Rotate the ratchet and remove it from the pivot rod.
 11. Remove the pivot rod (6) and spacer (20) from the accelerator pivot rod supports (21) (**Figure 5-6, Page 5-8**).

12. Inspect the accelerator pivot rod supports (21) for wear and damage and replace if necessary. If the pivot rod supports do not require replacement, loosen, but do not remove, the four bolts (22) and lock nuts (18) to make installation of the pivot rod easier.
13. Remove the accelerator pedal (1) from the vehicle.
14. Inspect all parts for wear and damage. Replace as necessary.

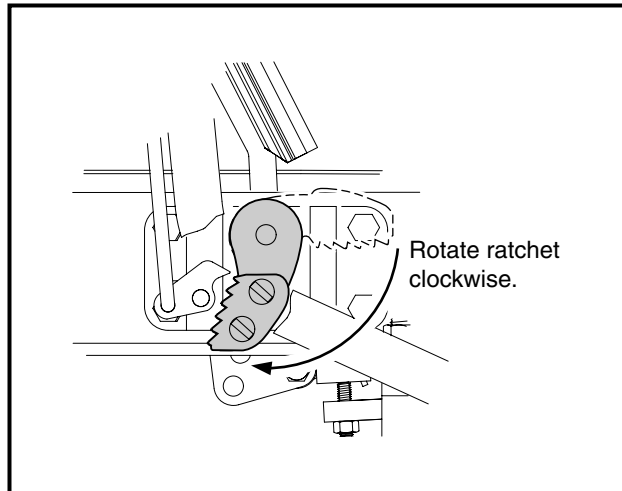


Figure 5-7 Ratchet Installation

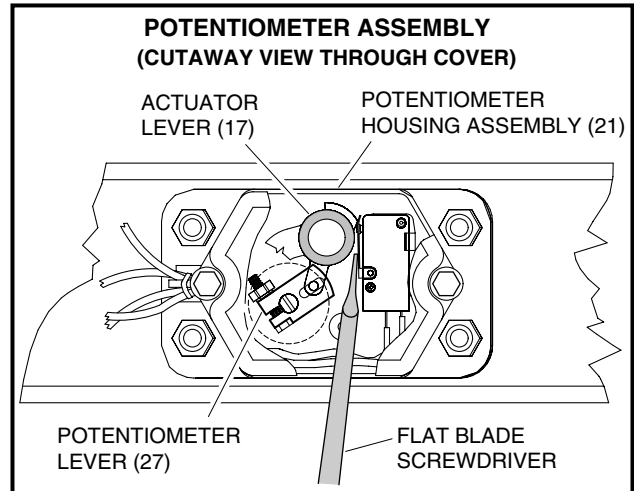


Figure 5-8 Potentiometer Assembly

ACCELERATOR PEDAL INSTALLATION – MULTI-STEP POTENTIOMETER VEHICLES AND GASOLINE VEHICLES

1. If the accelerator pivot rod supports were replaced, position the supports (21) on the vehicle frame and install the four bolts (22), flat washers (19), and lock nuts (18). Finger-tighten nuts at this time (**Figure 5-6, Page 5-8**).
2. Insert the lower end of the accelerator pedal (1) through the floorboard and install the accelerator pivot rod (6) through the uppermost hole in the pedal.
3. Install the plastic spacer (20) on the pivot rod (6).
4. Insert the pivot rod through the pivot rod supports on the vehicle frame.
5. Tighten the four bolts (22) attaching the pivot rod supports to the frame to 75 in-lb (8.5 N·m).
6. Install the bolt (4), two washers (5), and a new lock nut (7) through the lower hole in the pedal and through the pivot rod. Finger-tighten nut at this time.
7. Install the ball stud (8) through the pivot rod. Install the spring retainer (11) onto the ball stud. Secure these parts with the nut (10) (**Figure 5-6, Page 5-8**). Tighten the nut to 50 in-lb (5.7 N·m).
8. Depress the brake pedal slightly, and with the park brake ratchet oriented so that the tip of the ratchet is pointed toward the rear of vehicle, slide the ratchet onto the pivot rod (do not slide the ratchet onto the pivot rod splines). Release the brake pedal and allow the ratchet to rotate until its tip is pointed downward (**Figure 5-7, Page 5-10**). The ratchet should now rotate freely on the rod.
9. Rotate the ratchet clockwise until it touches the park brake pawl, then slide the ratchet onto the splines of the pivot rod (it may be necessary to push the pivot rod toward the driver side of the vehicle to make the splines accessible). The ratchet may have to be rotated counterclockwise slightly to align the splines.

10. Move the pivot rod back toward the driver side of the vehicle and line up the match marks on the pivot rod and ratchet. Rotate the pivot rod back and forth slightly to align the splines and slide the ratchet onto the splines.
11. Install the nylon lock nut (26) on the pivot rod and tighten the nut to 18 ft-lb (24 N·m) (**Figure 5-6, Page 5-8**).
12. Install the accelerator rod assembly (17, 25, and 24) (**Figure 5-6, Page 5-8**).
13. Adjust the pedal group. Refer to the appropriate adjustment procedure:
 - For gasoline vehicles, see **Pedal Group Adjustment – Gasoline Vehicles** on page 5-16.
 - For electric vehicles with multi-step potentiometers, see **Pedal Group Adjustment – Multi-Step Pot. Electric Vehicles** on page 5-27.

ACCELERATOR PEDAL – ELECTRIC VEHICLE WITH CVP

Read DANGER and WARNING on page 5-1.

Refer to Throttle Input Device Identification – Electric Vehicles, Section 3, Page 3-3 to determine which throttle input device is used in the vehicle before proceeding with service. Service and adjustment procedures differ significantly, so it is important to make sure that the correct procedure is used.

- For gasoline vehicles, go to Accelerator Pedal – Gasoline and Multi-Step Pot. Vehicles on page 5-9.
- For electric vehicles equipped with MCOR, go to Accelerator Pedal – Electric Vehicles with MCOR on page 5-13.

ACCELERATOR PEDAL REMOVAL – ELECTRIC VEHICLE WITH CVP

1. Disconnect the battery cables as instructed. **See WARNING on page 5-1.**
2. Place chocks under the rear wheels and lift the front end of the vehicle with a chain hoist or floor jack. Place jack stands under the front cross tube of the vehicle frame and lower the vehicle onto the jack stands. **See following WARNING.**

WARNING

- **Lift only one end of the vehicle at a time. Use a suitable lifting device (chain hoist or hydraulic floor jack) with 1000 lb. (454 kg) minimum lifting capacity. Do not use lifting device to hold vehicle in raised position. Use approved jack stands of proper weight capacity to support the vehicle and chock the wheels that remain on the floor. When not performing a test or service procedure that requires movement of the wheels, lock the brakes.**
3. Remove the two hex-head screws (20) attaching the potentiometer housing cover (**Figure 5-21, Page 5-24**) to the potentiometer and remove the cover.
 4. Remove the bolt (28) and lock nut (10) connecting the spring retainer (11) to the pivot rod (6).
 5. Slide the spring retainer (11) off of the accelerator pivot rod.
 6. Inspect the pivot rod support bearing (9) for wear and replace if necessary.
 7. Using a 9/16-inch socket and 9/16-inch wrench, remove the bolt (4), two washers (5), and lock nut (7) from the accelerator pedal and pivot rod assembly (6).
 8. Remove the bolt (8) and lock nut (27) from the actuator lever (25) and pivot rod assembly.

Accelerator Pedal Removal – Electric Vehicle with CVP, Continued:

9. Use a marker to mark the position of the park brake ratchet (23) on the accelerator pivot rod (6). **See following NOTE.**

NOTE: Failure to mark the position of the ratchet could cause it to be installed improperly, resulting in improper adjustment and possible failure of the park brake.

10. Remove the park brake ratchet retaining nut (26) from the pivot rod assembly (6).
11. Depress the brake pedal slightly and slide the park brake ratchet (23) toward the end of the accelerator pivot rod. Rotate the ratchet towards the rear of the vehicle and remove it from the pivot rod.
12. Hold the actuator lever (25) and accelerator pedal (1) in place and remove the accelerator pivot rod and plastic washer (24).
13. Pull accelerator pedal (1) out of vehicle from the top side of the floorboard.
14. Inspect the accelerator pivot rod support (21) and the potentiometer assembly (29) for wear and damage and replace as necessary. If the parts do not require replacement, loosen, but do not remove, the four bolts (22) and lock nuts (18) to make installation of the pivot rod easier.
15. Inspect all parts for wear and damage. Replace as necessary.

ACCELERATOR PEDAL INSTALLATION – ELECTRIC VEHICLE WITH CVP

1. If the pivot rod support or potentiometer assembly was replaced, position the pivot rod support (21) and the potentiometer assembly (29) on the vehicle frame and install the four bolts (22), flat washers (19), and lock nuts (18). finger-tighten nuts at this time (**Figure 5-21, Page 5-24**).
2. Insert the lower end of the accelerator pedal (1) through the floorboard and install the accelerator pivot rod (6) through the uppermost hole in the pedal. Install the bolt (4), two washers (5), and a new lock nut (7) through the lower hole in the pedal and through the pivot rod. Finger-tighten nut at this time. Install the actuator lever (25) on the pivot rod and position the pedal and actuator lever on the rod so that about one-half of the total length of the pivot rod is protruding out of the actuator lever.
3. Place the plastic washer (24) on the end of the accelerator pivot rod and align the pivot rod and washer with the hole in the potentiometer housing (29), then insert the pivot rod through the potentiometer, vehicle frame, and pivot rod support until the end of the pivot rod is flush with the outside surface of the pivot rod support (21) (**Figure 5-21, Page 5-24**).
4. Rotate the potentiometer lever (27) clockwise until lever fork is at the two o'clock position (**Figure 5-8, Page 5-10**). The lever must be at approximately two o'clock in order for it to mate with the alignment pin on the actuator lever.
5. Rotate the actuator lever until its alignment pin is aligned with the slot in the potentiometer lever fork (**Figure 5-8, Page 5-10**), then slide the actuator lever toward the potentiometer housing. **See following CAUTION.**

 CAUTION

- **Do not bend the limit switch lever. The cam on the actuator lever should be at the two o'clock position when the actuator lever is in position to mate with the potentiometer lever, allowing the actuator lever to slide past the limit switch lever. It may be necessary to hold the limit switch lever back with a flat blade screwdriver (Figure 5-8, Page 5-10).**
6. Push the accelerator pivot rod (6) through the potentiometer housing until the groove in the pivot rod is even with the end of the actuator lever (**Figure 5-21, Page 5-24**).

7. Install the spring retainer (11) on the pivot rod (6).
8. Slide the pivot rod toward the passenger-side of the vehicle until approximately one-half of the length of the pivot rod splines are exposed (**Figure 5-21, Page 5-24**).
9. Depress the brake pedal slightly, and with the park brake ratchet oriented so that the tip of the ratchet is pointed toward the rear of vehicle, slide the ratchet onto the pivot rod (do not slide the ratchet onto the pivot rod splines). Release the brake pedal and allow the ratchet to rotate until its tip is pointed downward (**Figure 5-7, Page 5-10**). The ratchet should now rotate freely on the rod.
10. Rotate the ratchet clockwise until it touches the park brake pawl, then slide ratchet onto the splines of the pivot rod (it may be necessary to push the pivot rod toward the driver side of the vehicle to make the splines accessible). The ratchet may have to be rotated counterclockwise slightly to align the splines.
11. Tighten the four bolts that secure the potentiometer assembly and pivot rod support to the vehicle frame to 75 in-lb (8.5 N·m).
12. Use a feeler gauge to check the gap between the ratchet and the pawl. The gap should be 0.060 inch (1.524 mm). Turn the nut (16) on the spring retainer (11) clockwise to widen the gap or counterclockwise to reduce the gap (**Figure 5-21, Page 5-24**). If the gap is 0.125 inch (3.175 mm) or more, slide the ratchet off the splines, rotate the ratchet clockwise one spline, and then slide the ratchet back onto the splines before adjusting with the spring retainer nut.
13. Install the nut (26) on the accelerator pivot rod and tighten it to 18 ft-lb (24 N·m). **See following NOTE.**

NOTE: Make sure the actuator lever pin and the potentiometer lever fork are still mated before tightening the accelerator pivot rod retaining nut.

14. Install the bolt (28) and lock nut (10) that secure the spring retainer (11) to the pivot rod (**Figure 5-21, Page 5-24**) and tighten to 50 in-lb (5.7 N·m). **See preceding NOTE.**
15. Install the bolt (8) and lock nut (27) that attach the actuator lever (25) to the pivot rod and finger-tighten.
16. Adjust the pedal group. **See Pedal Group Adjustment – Electric Vehicles with CVP on page 5-22..**

ACCELERATOR PEDAL – ELECTRIC VEHICLES WITH MCOR

Read DANGER and WARNING on page 5-1.

Refer to Throttle Input Device Identification – Electric Vehicles, Section 3, Page 3-3 to determine which throttle input device is used in the vehicle before proceeding with service. Service and adjustment procedures differ significantly, so it is important to make sure that the correct procedure is used.

- For gasoline vehicles, go to Accelerator Pedal – Gasoline and Multi-Step Pot. Vehicles on page 5-9.
- For electric vehicles equipped with a continuously-variable potentiometer, go to Accelerator Pedal – Electric Vehicle with CVP on page 5-11.

ACCELERATOR PEDAL REMOVAL – ELECTRIC VEHICLE WITH MCOR

1. Disconnect the batteries as instructed. **See WARNING on page 5-1.**
2. Place chocks under the rear wheels and lift the front end of the vehicle with a chain hoist or floor jack. Place jack stands under the front cross tube of the vehicle frame and lower the vehicle onto the jack stands. **See following WARNING.**

Accelerator Pedal Removal – Electric Vehicle With MCOR, Continued:**⚠ WARNING**

- **Lift only one end of the vehicle at a time. Use a suitable lifting device (chain hoist or hydraulic floor jack) with 1000 lb. (454 kg) minimum lifting capacity. Do not use lifting device to hold vehicle in raised position. Use approved jack stands of proper weight capacity to support the vehicle and chock the wheels that remain on the floor. When not performing a test or service procedure that requires movement of the wheels, lock the brakes.**

3. Remove the MCOR (2) and drive bar (3) as instructed (**Figure 5-9, Page 5-15**). See **MCOR Removal, Section 12, in the PowerDrive Maintenance and Service Supplement**.
4. Using a 9/16-inch socket and 9/16-inch wrench, remove the nut (7), two washers (5), and bolt (4) securing the accelerator pedal (1) to the pivot rod (6) (**Figure 5-9, Page 5-15**).
5. Remove the nut (10) and bolt (8) from the accelerator pivot rod assembly (6).
6. Slide the spring retainer (11) off of the accelerator pivot rod.
7. Inspect the pivot support bearing (9) for wear and replace if necessary.
8. Use a marker to mark the position of the park brake ratchet (24) on the accelerator pivot rod (6). See **following NOTE**.

NOTE: *Failure to mark position of the ratchet could cause it to be installed improperly, resulting in improper adjustment and possible failure of the park brake.*

9. Remove the lock nut (23) from the accelerator pivot rod.
10. Depress the brake pedal slightly and slide the park brake ratchet (24) toward the end of the accelerator pivot rod. Rotate the ratchet and remove it from the pivot rod.
11. Remove the pivot rod (6) and spacer (20) from the accelerator pivot rod supports (21) (**Figure 5-9, Page 5-15**).
12. Inspect the accelerator pivot rod supports (21) for wear and damage and replace as necessary. If the pivot rod supports do not require replacement, loosen, but do not remove, the four bolts (22) and lock nuts (15) to make installation of the pivot rod easier.
13. Remove the accelerator pedal (1) from the vehicle (**Figure 5-9, Page 5-15**).
14. Inspect all parts for wear and damage. Replace as necessary.

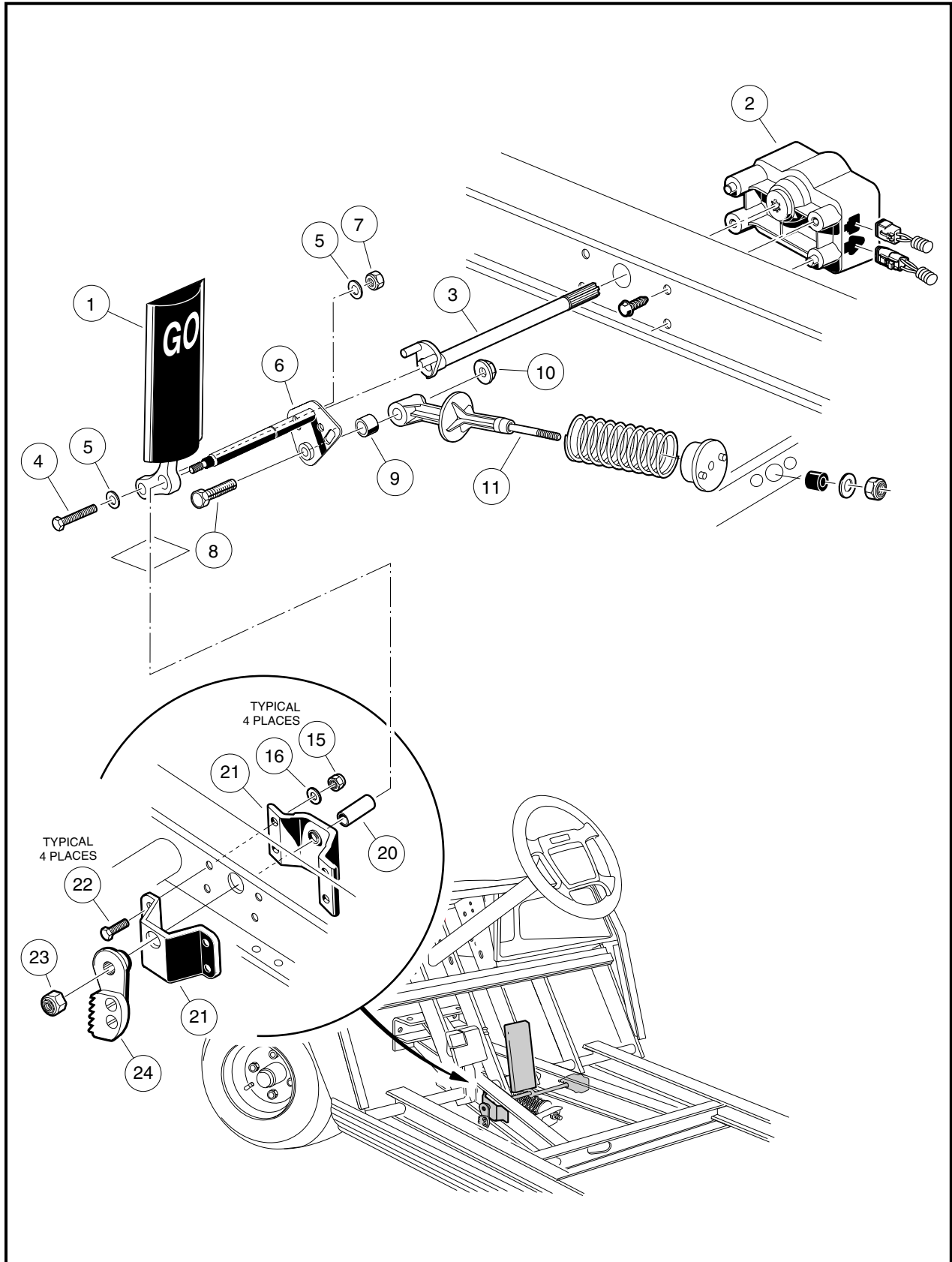


Figure 5-9 Accelerator Pedal – Electric Vehicle with MCOR

ACCELERATOR PEDAL INSTALLATION – ELECTRIC VEHICLE WITH MCOR

1. If the accelerator pivot rod supports were replaced, position the supports (21) on the vehicle frame and install the four bolts (22), flat washers (16), and lock nuts (15) (**Figure 5-9, Page 5-15**). finger-tighten nuts at this time.
2. Insert the lower end of the accelerator pedal (1) through the floorboard and install the accelerator pivot rod (6) through the uppermost hole in the pedal.
3. Install plastic spacer (20) on pivot rod (6).
4. Insert the pivot rod through the pivot rod supports (21) on the vehicle frame.
5. Tighten the four bolts (22) attaching the pivot rod supports to the frame to 75 in-lb (8.5 N·m) (**Figure 5-9, Page 5-15**).
6. Insert the bolt (4), two washers (5), and a new lock nut (7) through the lower hole in the pedal and through the pivot rod. Finger-tighten lock nut at this time.
7. Install the bolt (8) through the pivot rod (6) and spring retainer (11). Secure these parts with the nut (10) (**Figure 5-9, Page 5-15**). Tighten the nut to 50 in-lb (5.5 N·m).
8. Depress the brake pedal slightly, and with the park brake ratchet oriented so that the tip of the ratchet is pointed toward the rear of the vehicle, slide the ratchet onto the pivot rod (do not slide the ratchet onto the pivot rod splines). Release the brake pedal and allow the ratchet to rotate until its tip is pointed downward (**Figure 5-7, Page 5-10**). The ratchet should now rotate freely on the rod.
9. Rotate the ratchet clockwise until it touches the park brake pawl, then slide the ratchet onto the splines of the pivot rod (it may be necessary to push the pivot rod toward the driver side of the vehicle to make the splines accessible). The ratchet may have to be rotated counterclockwise slightly to align the splines.
10. Move the pivot rod back toward the driver side of the vehicle and line up the match marks on the pivot rod and ratchet. Rotate the pivot rod back and forth slightly to align the splines and slide the ratchet onto the splines.
11. Install lock nut (23) on pivot rod (**Figure 5-9, Page 5-15**). Tighten to 18 ft-lb (24.5 N·m).
12. Install the MCOR (2) and drive bar (3) as instructed. **See MCOR Removal, Section 12, in the Power-Drive Maintenance and Service Supplement.**
13. Adjust the pedal group. **See Pedal Group Adjustment – Electric Vehicles with MCOR on page 5-21..**

PEDAL GROUP ADJUSTMENT – GASOLINE VEHICLES

Read **DANGER** and **WARNING** on page 5-1.

The following procedure is for gasoline vehicles only. For electric vehicles, refer to Throttle Input Device Identification – Electric Vehicles, Section 3, Page 3-3 to determine which throttle input device is used in the vehicle before proceeding with service. Service and adjustment procedures differ significantly, so it is important to make sure that the correct procedure is used.

- For electric vehicles equipped with multi-step potentiometers, go to Pedal Group Adjustment – Multi-Step Pot. Electric Vehicles on page 5-27.
- For electric vehicles equipped with continuously-variable potentiometers, go to Pedal Group Adjustment – Electric Vehicles with CVP on page 5-22.
- For electric vehicles equipped with MCOR, go to Pedal Group Adjustment – Electric Vehicles with MCOR on page 5-21.

1. Disconnect the battery cables as instructed. **See WARNING on page 5-1.**
2. Adjust brake pedal height.
 - 2.1. Chock wheels and release park brake. Lift rear of vehicle and place jack stands under the axle tubes to support the vehicle.
 - 2.2. To provide slack in the brake cables, loosen the equalizer retaining nuts (2 and 3) on the equalizer rod (1) (**Figure 5-10, Page 5-17**).
 - 2.3. **Four-wheel brake vehicles only:** Loosen the front brake equalizer rod (**Figure 5-11, Page 5-17**).

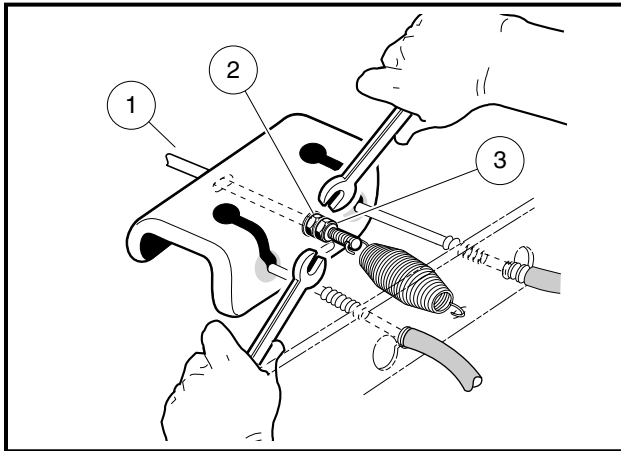


Figure 5-10 Loosen Rear Brake Equalizer Rod Nuts

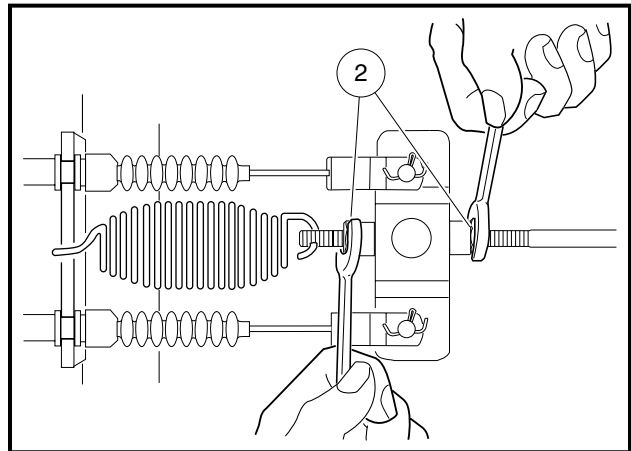


Figure 5-11 Loosen Front Brake Equalizer Rod Nuts

- 2.4. Loosen the brake stop jam nut (31), then relieve pedal pressure on the stop by pushing down slightly on the pedal. Next, adjust the brake stop bumper (22) up or down (**Figure 5-12, Page 5-17**). Adjusting the bumper upward decreases distance between pedal and floorboard. Adjusting the bumper downward increases distance between pedal and floorboard. Proper brake pedal height is 6 inches (15.2 cm) (**Figure 5-13, Page 5-17**).
- 2.5. Tighten the jam nut (31) to 8 ft-lb (9.5 N·m) (**Figure 5-12, Page 5-17**).

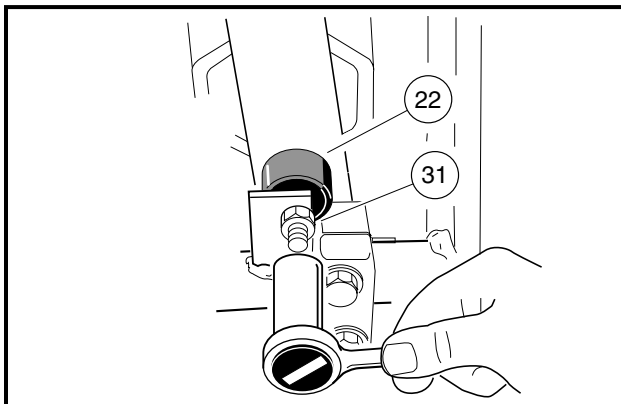


Figure 5-12 Brake Pedal Height Adjustment

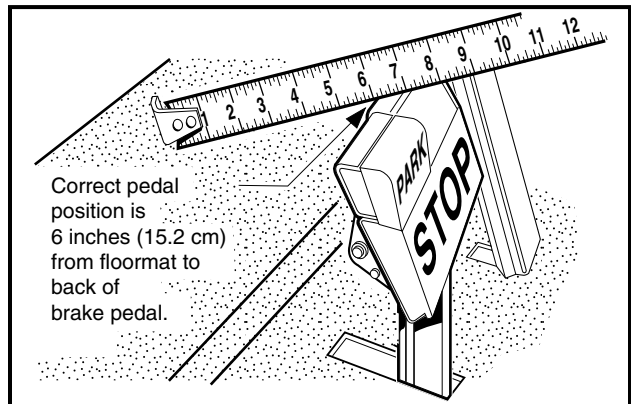


Figure 5-13 Brake Pedal Height Measurement

3. Adjust park brake ratchet/pawl gap and pawl engagement.
 - 3.1. Inspect the park brake pawl and ratchet for excessive wear, grooves, cracks, or chips. If either the pawl or ratchet is damaged, both must be replaced.
 - 3.2. Adjust retaining nut (7) on spring support rod until there is a 0.060 inch (1.5 mm) gap between the pawl and the tips of the ratchet teeth. Use a feeler gauge to verify the gap (**Figure 5-14, Page 5-18**).

The gap should be consistent through range of pawl movement. If the gap is not consistent, loosen the four bolts (6) securing the accelerator pivot rod supports and adjust the supports. If the gap becomes smaller as the park brake pedal is depressed, move the pivot rod supports slightly rearward until the gap is consistent. If the gap becomes larger as the park brake pedal is depressed, move the pivot rod supports slightly forward until gap is consistent. **See following NOTE.**

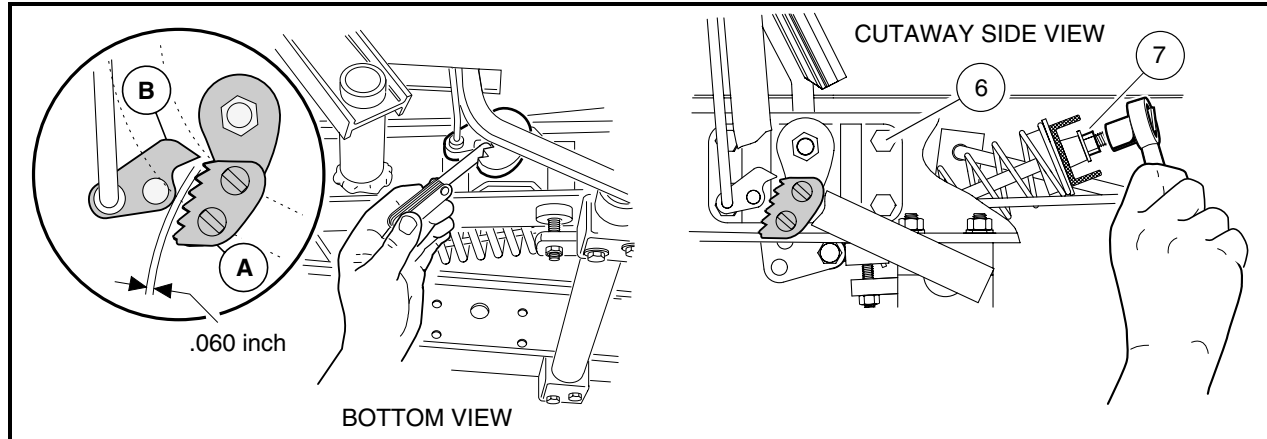


Figure 5-14 Park Brake Ratchet/Pawl Gap Adjustment

NOTE: The accelerator rod must also be checked if the ratchet/pawl gap is adjusted. See step 5 of *Pedal Group Adjustment – Gasoline Vehicles* on page 5-19.

The accelerator rod must be disconnected before proceeding to step 3.3.

- 3.3. With the park brake unlocked, measure and note the distance from the top of the accelerator pedal to the floorboard, then lock the park brake (**Figure 5-15, Page 5-18**).

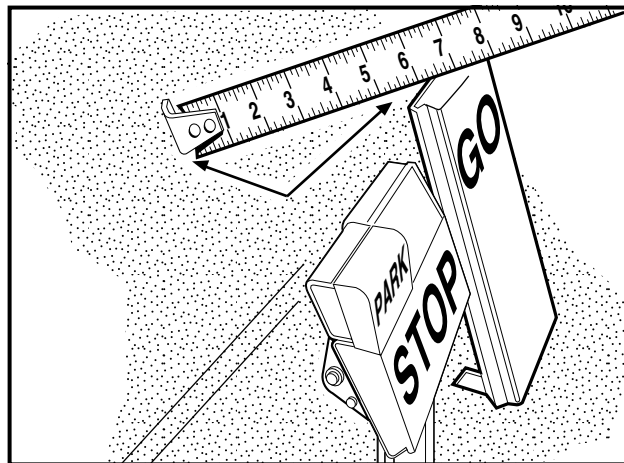


Figure 5-15 Accelerator Pedal Height Measurement

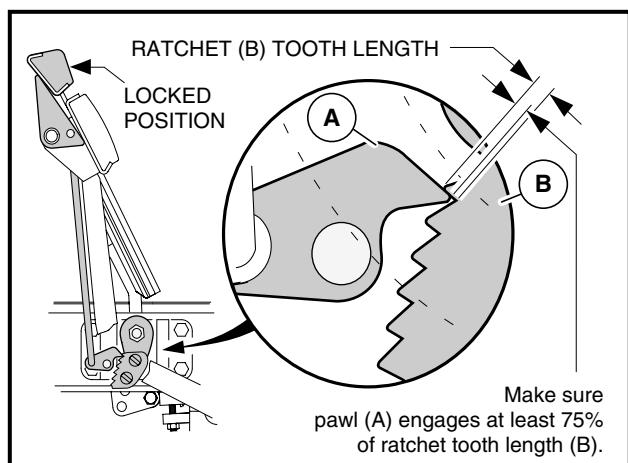


Figure 5-16 Ratchet/Pawl Tooth Engagement

- 3.4. With the park brake locked, make sure at least 75% of ratchet tooth length engages the pawl (**Figure 5-16, Page 5-18**). Tooth engagement should be between the two lines marked on the pawl.
- 3.5. With park brake still locked, measure the distance from the top of accelerator pedal to floorboard. If the measurement has changed, ratchet tooth engagement is too deep and must be adjusted.
- 3.6. If ratchet/pawl engagement must be adjusted, disconnect the ball joint at the top of the brake rod and rotate the ball joint sleeve clockwise to increase engagement or counterclockwise to decrease engagement. Reconnect ball joint (**Figure 5-17, Page 5-19**).

3.7. If the accelerator push rod was disconnected from the accelerator pedal, reconnect it.

3.8. Check for proper brake operation prior to driving the vehicle.

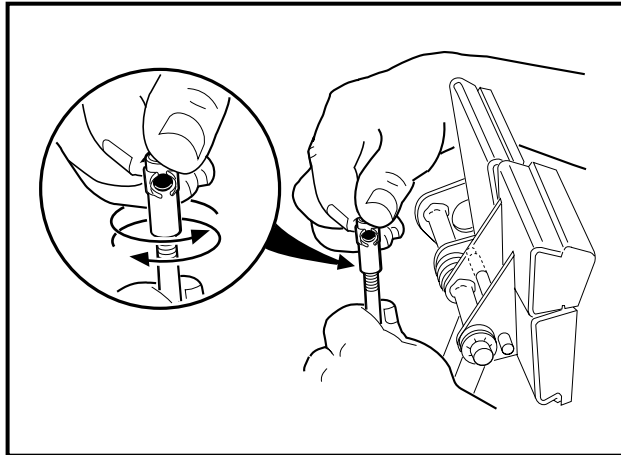


Figure 5-17 Brake Rod Adjustment

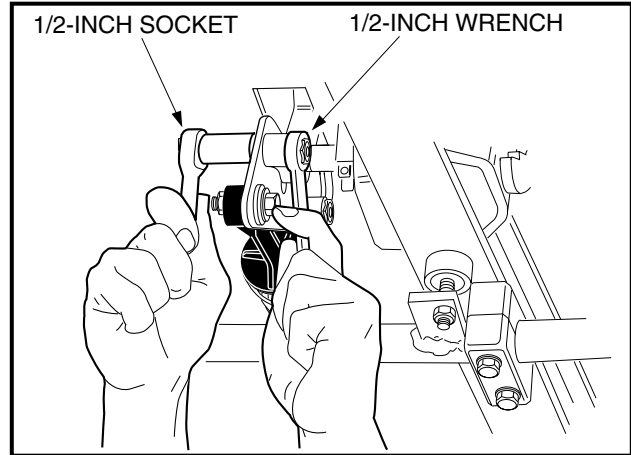


Figure 5-18 Accelerator Pedal Height Adjustment

4. Adjust accelerator pedal height.

- 4.1. Loosen the nut and bolt (Figure 5-18, Page 5-19) securing the accelerator pedal to the pivot plate. Clamp the accelerator pedal adjustment tool (CCI P/N 101871001) to the accelerator pedal, with the end marked *accelerator pedal height* closest to the floorboard. Depress the accelerator pedal until the end of the tool rests against the floorboard; pedal height should be 5-5/8 inches (14.3 cm). Use a rubber strap to hold pedal in position against the floorboard and then tighten nut to 26 ft-lb (35.3 N·m) (Figure 5-19, Page 5-19).

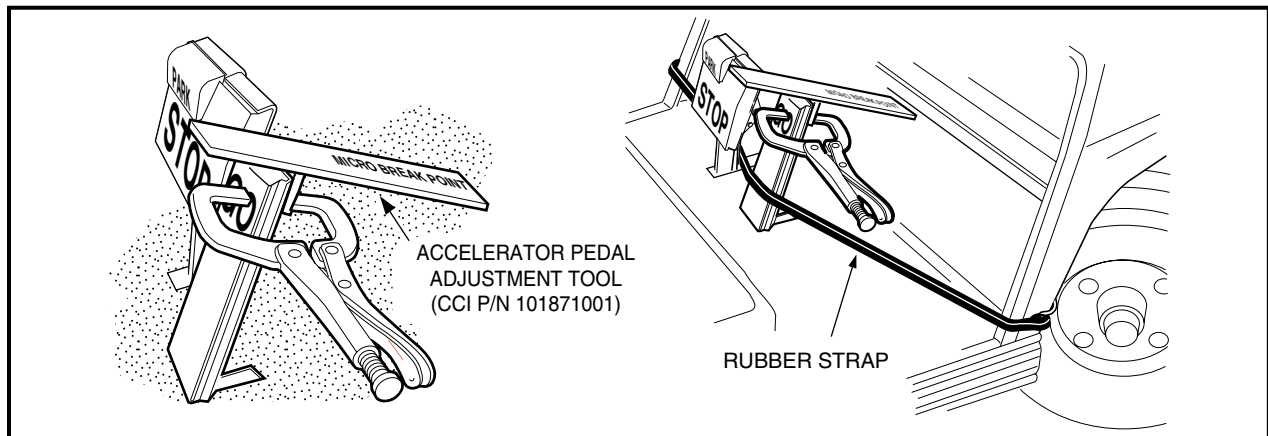


Figure 5-19 Accelerator Pedal Height Adjustment

5. Adjust the accelerator rod.

⚠ DANGER

- Before servicing, turn the key switch to OFF and place the Forward/Reverse handle in the NEUTRAL position.
- To prevent accidentally starting the vehicle, disconnect the battery cables as instructed in WARNING on page 5-1. This will prevent the possibility of the vehicle running over you when you are adjusting the accelerator rod.

Pedal Group Adjustment – Gasoline Vehicles, Continued:

- 5.1. Remove the electrical box screw and cover. **See preceding DANGER.**
- 5.2. Loosen the jam nuts (25) and disconnect the accelerator rod (17) at the accelerator pedal (**Figure 5-6, Page 5-8**). Adjust the length of the rod so the indicated cam edge is parallel with the edge of the electrical component box as shown (**Figure 5-20, Page 5-20**). **See following CAUTION.**

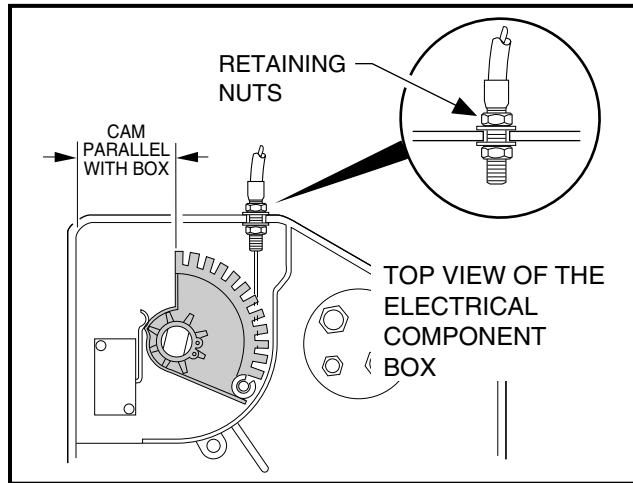


Figure 5-20 Accelerator Cable

⚠ CAUTION

- After accelerator rod adjustment, make sure that approximately the same number of threads are exposed at each end of the accelerator rod.
 - If the lever on the limit switch in the electrical box is bent, replace the limit switch.
 - When loosening jam nuts on the accelerator rod with one end disconnected, hold the disconnected accelerator rod with locking pliers.
 - When tightening jam nuts on the accelerator rod, hold the disconnected ball joint with locking pliers.
- 5.3. Reconnect the accelerator rod at the accelerator pedal.
 - 5.4. Before tightening jam nuts on accelerator rod, set park brake to first ratchet and pawl position. Depress accelerator pedal and make sure the following events occur in the **exact order shown**:

EVENT	APPROXIMATE PEDAL TRAVEL
Park brake release	2°-4°
Solenoid activation	4°-8°
Carburetor throttle actuation	8°-12°

- 5.5. If the events above occur as they should, hold the ball joint at each end of the accelerator rod with pliers and tighten the accelerator rod jam nut against it.
- 5.6. Ensure that the events occur as described in step 5.4 above.

NOTE: After the pedal group and accelerator rod are adjusted, the final governed engine RPM should be set. **See Engine RPM Adjustment in Section 14 of the appropriate maintenance and service supplement.**

- 5.7. Install the electrical box cover and screw.
6. Adjust the brakes. **See Brake Adjustment (Self-Adjusting Brakes), Section 6, Page 6-9 or Brake Adjustment (Manually-Adjusted Brakes), Section 6, Page 6-14.**

PEDAL GROUP ADJUSTMENT – ELECTRIC VEHICLES WITH MCOR

Read **DANGER** and **WARNING** on page 5-1.

The following procedure is only for electric vehicles with MCOR throttle input devices. Refer to Throttle Input Device Identification – Electric Vehicles, Section 3, Page 3-3 to determine which throttle input device is used in the vehicle before proceeding with service. Service and adjustment procedures differ significantly, so it is important to make sure that the correct procedure is used.

- For gasoline vehicles, go to Pedal Group Adjustment – Gasoline Vehicles on page 5-16.
 - For electric vehicles equipped with multi-step potentiometers, go to Pedal Group Adjustment – Multi-Step Pot. Electric Vehicles on page 5-27.
 - For electric vehicles equipped with a continuously-variable potentiometer, go to Pedal Group Adjustment – Electric Vehicles with CVP on page 5-22.
1. Disconnect the battery cables as instructed. **See WARNING on page 5-1.**
 2. Adjust brake pedal height.
 - 2.1. Chock wheels and release park brake. Lift rear of vehicle and place jack stands under the axle tubes to support the vehicle.
 - 2.2. To provide slack in the brake cables, loosen the equalizer retaining nuts (2 and 3) on the equalizer rod (1) (**Figure 5-10, Page 5-17**).
 - 2.3. **Four-wheel brake vehicles only:** Loosen the front brake equalizer rod (**Figure 5-11, Page 5-17**).
 - 2.4. Loosen the brake stop jam nut (31), then relieve pedal pressure on the stop by pushing down slightly on the pedal. Next, adjust the brake stop bumper (22) up or down (**Figure 5-12, Page 5-17**). Adjusting the bumper upward decreases distance between pedal and floorboard. Adjusting the bumper downward increases distance between pedal and floorboard. Proper brake pedal height is 6 inches (15.2 cm) (**Figure 5-13, Page 5-17**).
 - 2.5. Tighten the jam nut (31) to 8 ft-lb (9.5 N-m) (**Figure 5-12, Page 5-17**).
 3. Adjust park brake ratchet/pawl gap and pawl engagement.
 - 3.1. Inspect the park brake pawl and ratchet for excessive wear, grooves, cracks, or chips. If either the pawl or ratchet is damaged, both must be replaced.
 - 3.2. Adjust retaining nut (7) on spring support rod until there is a 0.060 inch (1.5 mm) gap between the pawl and the tips of the ratchet teeth. Use a feeler gauge to verify the gap (**Figure 5-14, Page 5-18**). The gap should be consistent through range of pawl movement. If the gap is not consistent, loosen the four bolts (6) securing the accelerator pivot rod supports and adjust the supports. If the gap becomes smaller as the park brake pedal is depressed, move the pivot rod supports slightly rearward until the gap is consistent. If the gap becomes larger as the park brake pedal is depressed, move the pivot rod supports slightly forward until gap is consistent.
 - 3.3. With the park brake unlocked, measure and note the distance from the top of the accelerator pedal to the floorboard, then lock the park brake (**Figure 5-15, Page 5-18**).
 - 3.4. With the park brake locked, make sure at least 75% of ratchet tooth length engages the pawl (**Figure 5-16, Page 5-18**). Tooth engagement should be between the two lines marked on the pawl.
 - 3.5. With park brake still locked, measure the distance from the top of accelerator pedal to floorboard. If the measurement has changed, ratchet tooth engagement is too deep and must be adjusted.
 - 3.6. If ratchet/pawl engagement must be adjusted, disconnect the ball joint at the top of the brake rod and rotate the ball joint sleeve clockwise to increase engagement or counterclockwise to decrease engagement. Reconnect ball joint (**Figure 5-17, Page 5-19**).
 - 3.7. Check for proper brake operation prior to driving the vehicle.

Pedal Group Adjustment – Electric Vehicles with MCOR, Continued:

4. Adjust accelerator pedal height.
 - 4.1. Loosen the nut and bolt (**Figure 5-18, Page 5-19**) securing the accelerator pedal to the pivot plate. Clamp the accelerator pedal adjustment tool (CCI P/N 101871001) to the accelerator pedal, with the end marked *accelerator pedal height* closest to the floorboard. Depress the accelerator pedal until the end of the tool rests against the floorboard; pedal height should be 5-5/8 inches (14.3 cm). Use a rubber strap to hold pedal in position against the floorboard and then tighten nut to 26 ft-lb (35.3 N·m) (**Figure 5-19, Page 5-19**).
5. Adjust the brakes. **See Brake Adjustment (Self-Adjusting Brakes), Section 6, Page 6-9 or Brake Adjustment (Manually-Adjusted Brakes), Section 6, Page 6-14.**

PEDAL GROUP ADJUSTMENT – ELECTRIC VEHICLES WITH CVP**Read DANGER and WARNING on page 5-1.**

The following procedure is only for electric vehicles equipped with continuously-variable potentiometers. Refer to Throttle Input Device Identification – Electric Vehicles, Section 3, Page 3-3 to determine which throttle input device is used in the vehicle before proceeding with service. Service and adjustment procedures differ significantly, so it is important to make sure that the correct procedure is used.

- For gasoline vehicles, go to Pedal Group Adjustment – Gasoline Vehicles on page 5-16.
 - For electric vehicles equipped with multi-step potentiometers, go to Pedal Group Adjustment – Multi-Step Pot. Electric Vehicles on page 5-27.
 - For electric vehicles equipped with MCOR, go to Pedal Group Adjustment – Electric Vehicles with MCOR on page 5-21.
1. Disconnect the battery cables as instructed. **See WARNING on page 5-1.**
 2. Adjust brake pedal height.
 - 2.1. Chock wheels and release park brake. Lift rear of vehicle and place jack stands under the axle tubes to support the vehicle.
 - 2.2. To provide slack in the brake cables, loosen the equalizer retaining nuts (2 and 3) on the equalizer rod (1) (**Figure 5-10, Page 5-17**).
 - 2.3. **Four-wheel brake vehicles only:** Loosen the front brake equalizer rod (**Figure 5-11, Page 5-17**).
 - 2.4. Loosen the brake stop jam nut (31), then relieve pedal pressure on the stop by pushing down slightly on the pedal. Next, adjust the brake stop bumper (22) up or down (**Figure 5-12, Page 5-17**). Adjusting the bumper upward decreases distance between pedal and floorboard. Adjusting the bumper downward increases distance between pedal and floorboard. Proper brake pedal height is 6 inches (15.2 cm) (**Figure 5-13, Page 5-17**).
 - 2.5. Tighten the jam nut (31) to 8 ft-lb (9.5 N·m) (**Figure 5-12, Page 5-17**).
 3. Adjust park brake ratchet/pawl gap and pawl engagement.
 - 3.1. Inspect the park brake pawl and ratchet for excessive wear, grooves, cracks, or chips. If either the pawl or ratchet is damaged, both must be replaced.
 - 3.2. Adjust retaining nut (7) on spring support rod until there is a 0.060 inch (1.5 mm) gap between the pawl and the tips of the ratchet teeth. Use a feeler gauge to verify the gap (**Figure 5-14, Page 5-18**). The gap should be consistent through range of pawl movement. If the gap is not consistent, loosen the four bolts (6) securing the accelerator pivot rod supports and adjust the supports. If the gap becomes smaller as the park brake pedal is depressed, move the pivot rod supports slightly rearward until the gap is consistent. If the gap becomes larger as the park brake pedal is depressed, move the pivot rod supports slightly forward until gap is consistent.

- 3.3. With the park brake unlocked, measure and note the distance from the top of the accelerator pedal to the floorboard, then lock the park brake (**Figure 5-15, Page 5-18**).
- 3.4. With the park brake locked, make sure at least 75% of ratchet tooth length engages the pawl (**Figure 5-16, Page 5-18**). Tooth engagement should be between the two lines marked on the pawl.
- 3.5. With park brake still locked, measure the distance from the top of accelerator pedal to floorboard. If the measurement has changed, ratchet tooth engagement is too deep and must be adjusted.
- 3.6. If ratchet/pawl engagement must be adjusted, disconnect the ball joint at the top of the brake rod and rotate the ball joint sleeve clockwise to increase engagement or counterclockwise to decrease engagement. Reconnect ball joint (**Figure 5-17, Page 5-19**).
- 3.7. Check for proper brake operation prior to driving the vehicle.
4. Adjust accelerator pedal height.
 - 4.1. Loosen the nut and bolt (**Figure 5-18, Page 5-19**) securing the accelerator pedal to the pivot plate. Clamp the accelerator pedal adjustment tool (CCI P/N 101871001) to the accelerator pedal, with the end marked *accelerator pedal height* closest to the floorboard. Depress the accelerator pedal until the end of the tool rests against the floorboard; pedal height should be 5-5/8 inches (14.3 cm). Use a rubber strap to hold pedal in position against the floorboard and then tighten nut to 26 ft-lb (35.3 N·m) (**Figure 5-19, Page 5-19**).
5. Adjust the actuator lever.
 - 5.1. Connect Calibration Test Module (CTM) (CCI P/N 101887101) (**Figure 5-22, Page 5-25**) to vehicle.
 - 5.1.1. Disconnect three-pin connector to potentiometer from wire harness as shown (**Figure 5-23, Page 5-25**).
 - 5.1.2. Connect the three-pin plug of the CTM to the three-pin connector from the potentiometer (**Figure 5-22, Page 5-25 and Figure 5-23, Page 5-25**). **See following NOTE.**

NOTE: An adapter plug assembly (CCI P/N 101894501) is available for use on vehicles with a three-pin, triangular-shaped plug at the potentiometer.

 - 5.2. Disconnect the green/white wire from the potentiometer housing assembly (**Figure 5-23, Page 5-25**) at the Forward and Reverse limit switch no. 1.
 - 5.3. Connect the green/white wire from the potentiometer housing to the green lead from the CTM (**Figure 5-23, Page 5-25**).
 - 5.4. If it is not already disconnected, disconnect the 6-gauge red wire from the positive (+) post of battery no. 1. Connect the CTM alligator clip to the end of the 6-gauge red wire.
 - 5.5. Reposition and clamp the accelerator pedal adjustment tool on the accelerator pedal with the end marked *micro break point* toward the floorboard, then depress the pedal until the end of the tool rests against the floorboard (pedal height should be 4-5/8 inches) (11.7 cm). Use a rubber strap to hold the pedal in depressed position and proceed to step 5.6. (**Figure 5-24, Page 5-25**).

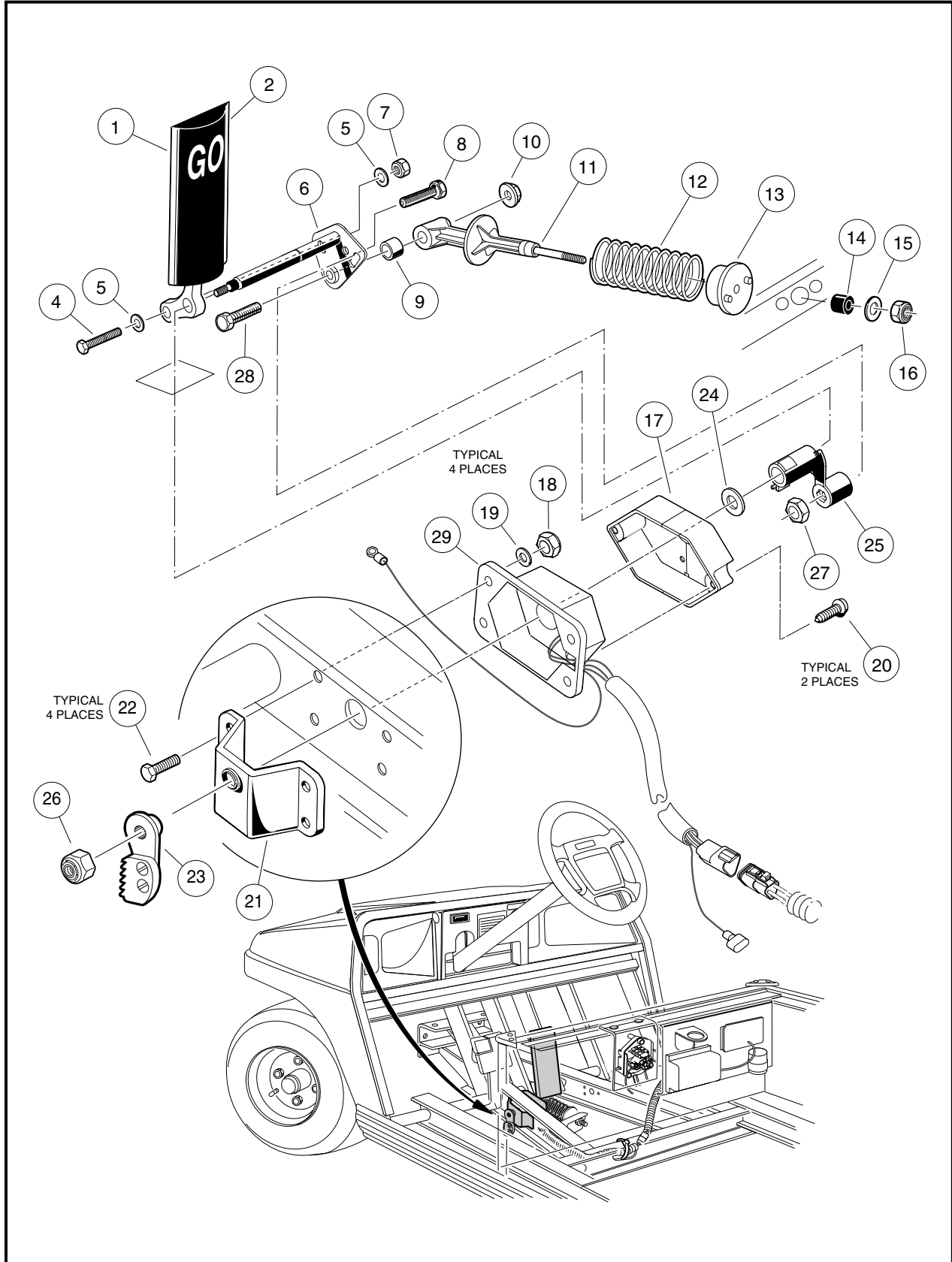


Figure 5-21 Accelerator Pedal – Electric Vehicle with Continuously-Variable Potentiometer

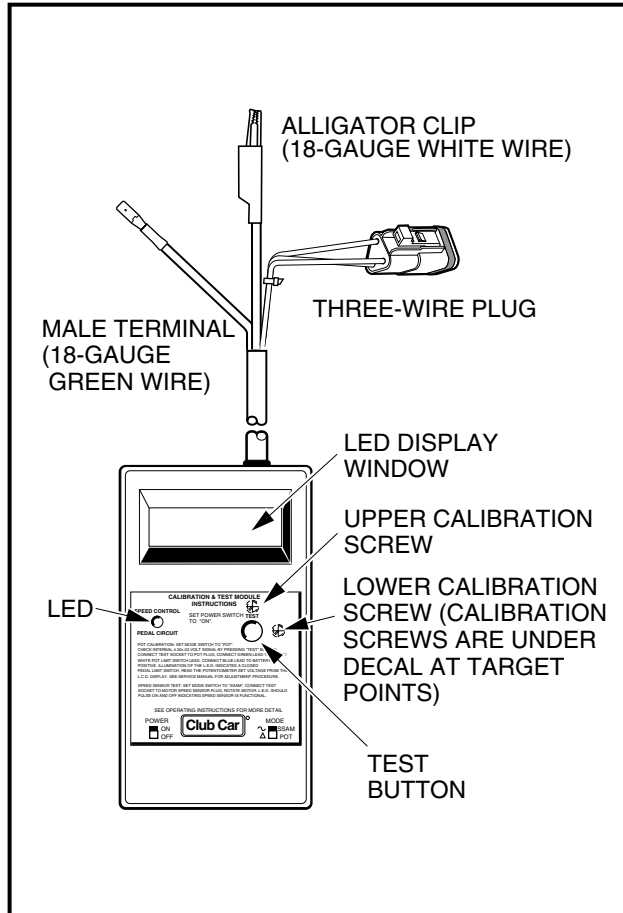


Figure 5-22 Calibration Test Module

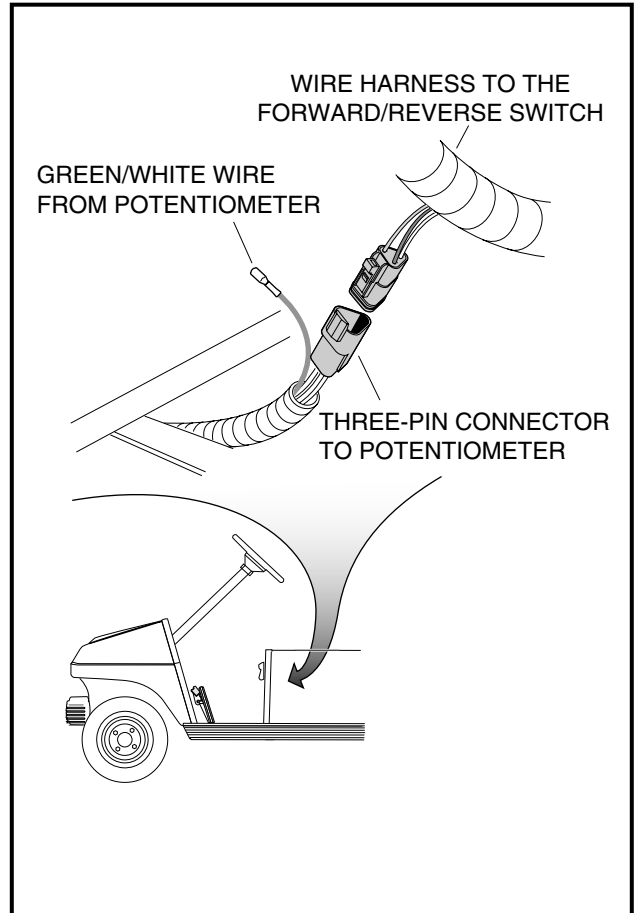


Figure 5-23 Three Wire Connector to Potentiometer

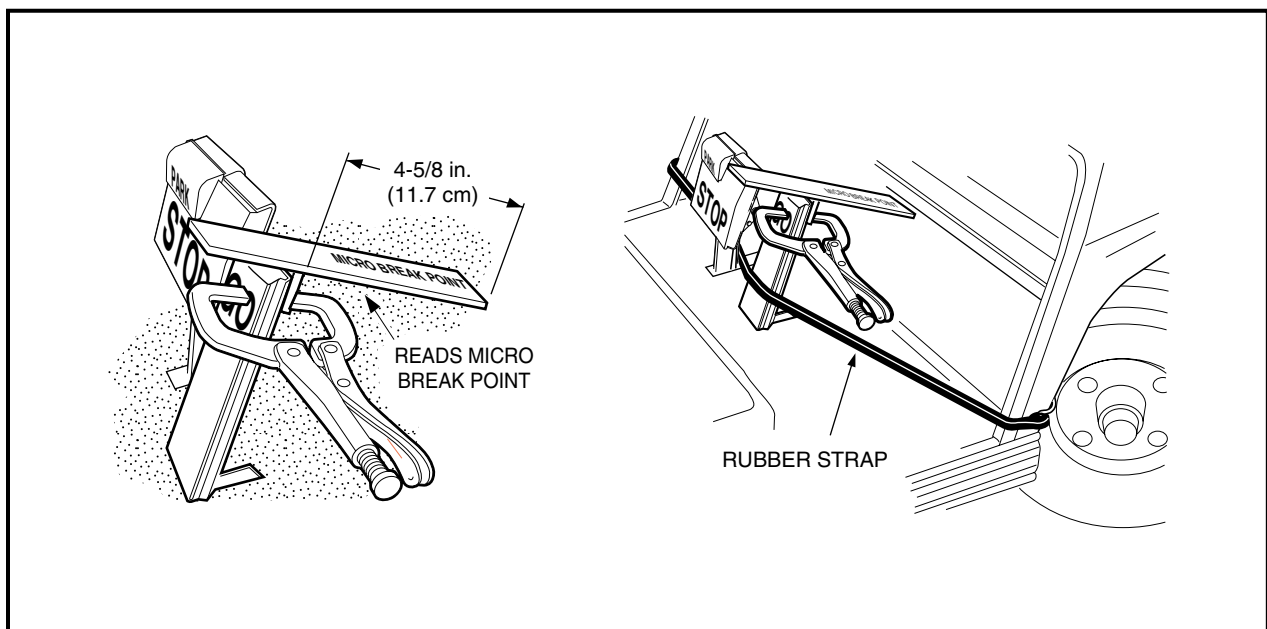


Figure 5-24 Micro Break Point Adjustment

Pedal Group Adjustment – Electric Vehicles with CVP, Continued:

- 5.6. Remove two screws (20) and detach the potentiometer housing cover (**Figure 5-25, Page 5-26**). Slightly loosen the bolt (9) (**Figure 5-26, Page 5-26**) attaching the actuator lever to the adjustment bracket.

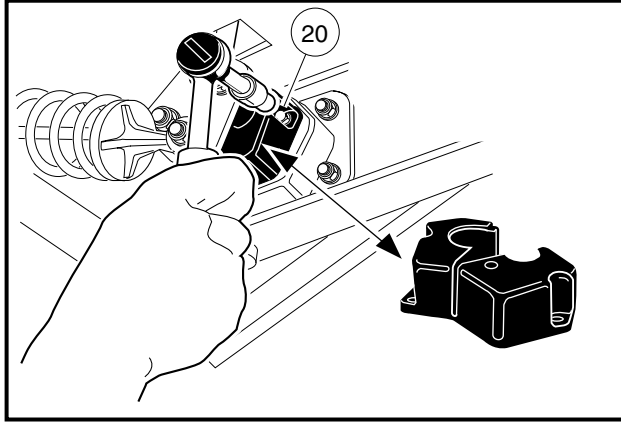


Figure 5-25 Potentiometer Cover Removal

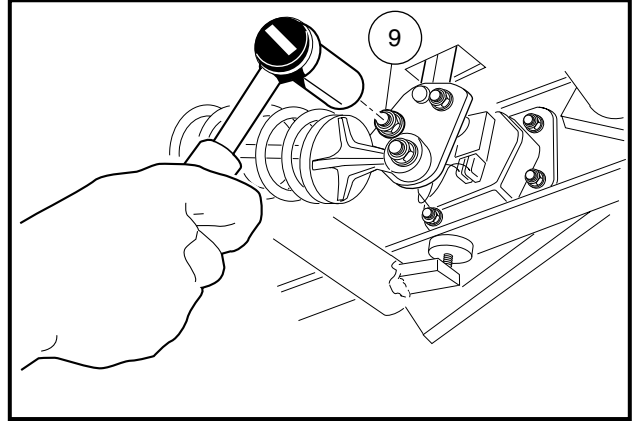


Figure 5-26 Loosen Bolt

- 5.7. Rotate the actuator lever (25) on the pivot rod weldment (6) clockwise until the red LED is illuminated (limit switch clicks ON). Then rotate the actuator lever (25) on the pivot rod weldment (6) counterclockwise just to the point at which the red LED on the CTM goes out (limit switch clicks OFF) (**Figure 5-21, Page 5-24**).
- 5.8. Tighten the actuator lever bolt (9) (**Figure 5-26, Page 5-26**) to 75 in-lb (8.5 N·m). This step sequence ensures the solenoid will not engage with the accelerator pedal in the fully upright position and with the park brake set. If the red LED is illuminated at this point, repeat step 5.7.
- 5.9. Meter should indicate 3.38 to 3.42 volts. If not, proceed to step 5.10. If so, proceed to step 5.14.
- 5.10. Loosen the potentiometer adjustment lock nut (**Figure 5-27, Page 5-26**).

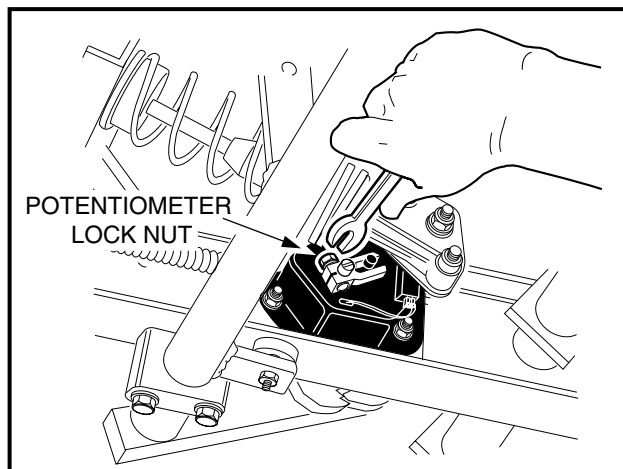


Figure 5-27 Loosen Potentiometer Lock Nut

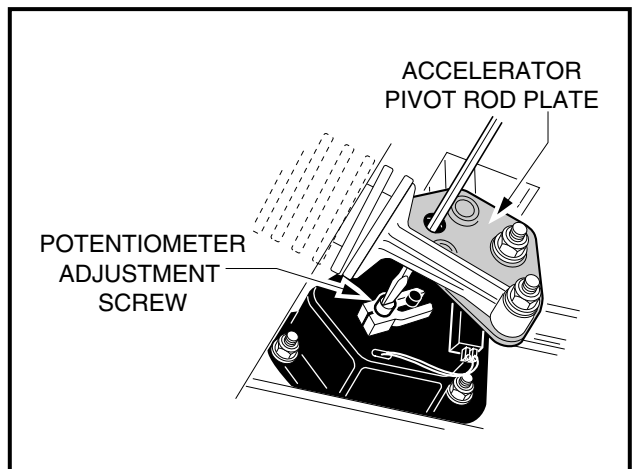


Figure 5-28 Potentiometer Adjustment Screw

- 5.11. Using a potentiometer adjustment tool or very small flat blade screwdriver (electronics type), turn the potentiometer adjustment screw until the CTM reads from 3.38 to 3.42 volts (**Figure 5-28, Page 5-26**). Then tighten the potentiometer lock nut to 5 in-lb (.6 N·m).
- 5.12. Again loosen actuator lever bolt and rotate actuator lever counterclockwise until red LED goes off.

- 5.13. With the actuator lever in position, tighten the actuator lever bolt to 75 in-lb (8.5 N·m). This step sequence ensures that the solenoid will not engage with the accelerator pedal in the fully upright position.
 - 5.14. Recheck voltage reading to ensure CTM indicates 3.38 to 3.42 volts just before the limit switch engages. Voltage reading should be zero VDC when the accelerator pedal is depressed to floor.
 - 5.15. Disconnect the CTM from vehicle and reconnect three-wire connector (from potentiometer) to wire harness. Reconnect green/white wire to the Forward and Reverse limit switch no. 1.
 - 5.16. Install the potentiometer housing cover.
6. Adjust the brakes. **See Brake Adjustment (Self-Adjusting Brakes), Section 6, Page 6-9 or Brake Adjustment (Manually-Adjusted Brakes), Section 6, Page 6-14.**

PEDAL GROUP ADJUSTMENT – MULTI-STEP POT. ELECTRIC VEHICLES

Read DANGER and WARNING on page 5-1.

The following procedure is only for electric vehicles equipped with multi-step potentiometers. Refer to Throttle Input Device Identification – Electric Vehicles, Section 3, Page 3-3 to determine which throttle input device is used in the vehicle before proceeding with service. Service and adjustment procedures differ significantly, so it is important to make sure that the correct procedure is used.

- For gasoline vehicles, go to Pedal Group Adjustment – Gasoline Vehicles on page 5-16.
 - For electric vehicles equipped with continuously-variable potentiometers, go to Pedal Group Adjustment – Electric Vehicles with CVP on page 5-22.
 - For electric vehicles equipped with MCOR, go to Pedal Group Adjustment – Electric Vehicles with MCOR on page 5-21.
1. Disconnect the battery cables as instructed. **See WARNING on page 5-1.**
 2. Adjust brake pedal height.
 - 2.1. Chock wheels and release park brake. Lift rear of vehicle and place jack stands under the axle tubes to support the vehicle.
 - 2.2. To provide slack in the brake cables, loosen the equalizer retaining nuts (2 and 3) on the equalizer rod (1) (**Figure 5-10, Page 5-17**).
 - 2.3. **Four-wheel brake vehicles only:** Loosen the front brake equalizer rod (**Figure 5-11, Page 5-17**).
 - 2.4. Loosen the brake stop jam nut (31), then relieve pedal pressure on the stop by pushing down slightly on the pedal. Next, adjust the brake stop bumper (22) up or down (**Figure 5-12, Page 5-17**). Adjusting the bumper upward decreases distance between pedal and floorboard. Adjusting the bumper downward increases distance between pedal and floorboard. Proper brake pedal height is 6 inches (15.2 cm) (**Figure 5-13, Page 5-17**).
 - 2.5. Tighten the jam nut (31) to 8 ft-lb (9.5 N·m) (**Figure 5-12, Page 5-17**).
 3. Adjust park brake ratchet/pawl gap and pawl engagement.
 - 3.1. Inspect the park brake pawl and ratchet for excessive wear, grooves, cracks, or chips. If either the pawl or ratchet is damaged, both must be replaced.
 - 3.2. Adjust retaining nut (7) on spring support rod until there is a 0.060 inch (1.5 mm) gap between the pawl and the tips of the ratchet teeth. Use a feeler gauge to verify the gap (**Figure 5-14, Page 5-18**). The gap should be consistent through range of pawl movement. If the gap is not consistent, loosen the four bolts (6) securing the accelerator pivot rod supports and adjust the supports. If the gap becomes smaller as the park brake pedal is depressed, move the pivot rod supports slightly rearward until the gap is consistent. If the gap becomes larger as the park brake pedal is depressed, move the pivot rod supports slightly forward until gap is consistent. **See following NOTE.**

Pedal Group Adjustment – Multi-Step Pot. Electric Vehicles, Continued:

NOTE: The accelerator rod must also be checked if the ratchet/pawl gap is adjusted. See step 5 of *Pedal Group Adjustment – Gasoline Vehicles* on page 5-19.

The accelerator rod must be disconnected before proceeding to step 3.3.

- 3.3. With the park brake unlocked, measure and note the distance from the top of the accelerator pedal to the floorboard, then lock the park brake (**Figure 5-15, Page 5-18**).
 - 3.4. With the park brake locked, make sure at least 75% of ratchet tooth length engages the pawl (**Figure 5-16, Page 5-18**). Tooth engagement should be between the two lines marked on the pawl.
 - 3.5. With park brake still locked, measure the distance from the top of accelerator pedal to floorboard. If the measurement has changed, ratchet tooth engagement is too deep and must be adjusted.
 - 3.6. If ratchet/pawl engagement must be adjusted, disconnect the ball joint at the top of the brake rod and rotate the ball joint sleeve clockwise to increase engagement or counterclockwise to decrease engagement. Reconnect ball joint (**Figure 5-17, Page 5-19**).
 - 3.7. If the accelerator push rod was disconnected from the accelerator pedal, reconnect it.
 - 3.8. Check for proper brake operation prior to driving the vehicle.
4. Adjust accelerator pedal height.
 - 4.1. Loosen the nut and bolt (**Figure 5-18, Page 5-19**) securing the accelerator pedal to the pivot plate. Clamp the accelerator pedal adjustment tool (CCI P/N 101871001) to the accelerator pedal, with the end marked *accelerator pedal height* closest to the floorboard. Depress the accelerator pedal until the end of the tool rests against the floorboard; pedal height should be 5-5/8 inches (14.3 cm). Use a rubber strap to hold pedal in position against the floorboard and then tighten nut to 26 ft-lb (35.3 N·m) (**Figure 5-19, Page 5-19**).
 5. Adjust the accelerator rod.

 DANGER

- Before servicing, turn the key switch to OFF and place the Forward/Reverse handle in the NEUTRAL position.
- To prevent accidentally starting the vehicle, disconnect the battery cables as instructed in WARNING on page 5-1. This will prevent the possibility of the vehicle running over you when you are adjusting the accelerator rod.

- 5.1. Remove the driver-side wiper switch cover. See following CAUTION.

 CAUTION

- Adjust accelerator rod/wiper switch arm exactly as stated in step 5.2 below or the wiper switch could become damaged and not operate properly.
- 5.2. Slowly depress the accelerator pedal to the floor and hold it in this position. With the accelerator pedal fully depressed, the wiper switch arm brush should be positioned entirely on the last fixed contact. It is acceptable for the wiper switch arm to come into contact with the wiper switch housing provided there is no excessive pressure against the housing. To check wiper arm pressure against the housing, keep the accelerator pedal fully depressed and disconnect the accelerator rod from the wiper switch ball stud. Then try to reconnect it. If the accelerator pedal must be released in order to reconnect the accelerator rod, then the wiper switch arm is exerting excessive pressure against the housing; proceed to step 5.3. If the accelerator rod can be easily connected, it is correctly adjusted.

- 5.3. If the accelerator rod is not adjusted correctly, disconnect it from the ball stud at the wiper switch and manually rotate the bell crank until the wiper switch arm brush is positioned entirely on the last fixed contact.
 - 5.4. While holding accelerator rod (17) with pliers, loosen the jam nut (25) and adjust the ball joint (24) sleeve to fit on the wiper switch ball stud, with approximately the same number of threads showing at each end of the rod (**Figure 5-6, Page 5-8**). Then tighten jam nut (25) against the sleeve.
 - 5.5. Depress the accelerator pedal several times and then check to be sure that the wiper switch arm brush is positioned entirely on the eighth fixed contact, and that the wiper switch arm is not exerting excessive pressure against the wiper switch housing.
 - 5.6. Install the wiper switch cover.
6. Adjust the brakes. **See Brake Adjustment (Self-Adjusting Brakes), Section 6, Page 6-9 or Brake Adjustment (Manually-Adjusted Brakes), Section 6, Page 6-14.**

SECTION 6 – WHEEL BRAKE ASSEMBLIES

DANGER

- **Battery – Explosive gases! Do not smoke. Keep sparks and flames away from the vehicle and service area. Ventilate when charging or operating vehicle in an enclosed area. Wear a full face shield and rubber gloves when working on or near batteries.**
- **Battery – Poison! Contains acid! Causes severe burns. Avoid contact with skin, eyes, or clothing. Antidotes:**
 - **External: Flush with water. Call a physician immediately.**
 - **Internal: Drink large quantities of milk or water. Follow with milk of magnesia or vegetable oil. Call a physician immediately.**
 - **Eyes: Flush with water for 15 minutes. Call a physician immediately.**
- **Gasoline – Flammable! Explosive! Do not smoke. Keep sparks and flames away from the vehicle and service area. Service only in a well-ventilated area.**
- **Do not operate gasoline vehicle in an enclosed area without proper ventilation. The engine produces carbon monoxide, which is an odorless, deadly poison.**

WARNING

- **Follow the procedures exactly as stated in this manual, and heed all DANGER, WARNING, and CAUTION statements in this manual as well as those on the vehicle and battery charger.**
- **Only trained technicians should service or repair the vehicle or battery charger. Anyone doing even simple repairs or service should have knowledge and experience in electrical and mechanical repair. The appropriate instructions must be used when performing maintenance, service, or accessory installation.**
- **Prior to servicing the vehicle or leaving the vehicle unattended, turn the key switch OFF, remove the key, and place the Forward/Reverse handle in the NEUTRAL position. Chock the wheels when servicing the vehicle.**

Gasoline vehicles only:

- **To avoid unintentionally starting the vehicle:**
 - **Disconnect battery cables, negative (-) cable first. See Figure 1-1, Section 1, Page 1-3.**
 - **Disconnect the spark plug wire from the spark plug.**
- **Frame ground – Do not allow tools or other metal objects to contact frame when disconnecting battery cables or other electrical wiring. Do not allow a positive wire to touch the vehicle frame, engine, or any other metal component.**

WARNING CONTINUED ON NEXT PAGE...

 WARNING**Electric vehicles only:**

- To avoid unintentionally starting the vehicle, disconnect the batteries as shown. See Figure 1-2, Section 1, Page 1-3.
- After disconnecting the batteries, discharge the controller capacitors as follows:
 - Turn key switch to ON and place the Forward/Reverse handle in REVERSE.
 - Slowly depress the accelerator pedal and keep it depressed until the reverse warning buzzer can no longer be heard. When the buzzer stops sounding, the controller capacitors are discharged.

All vehicles:

- Wear safety glasses or approved eye protection when servicing the vehicle or battery charger. Wear a full face shield and rubber gloves when working on or near batteries.
- Do not wear loose clothing or jewelry such as rings, watches, chains, etc., when servicing the vehicle or battery charger.
- Moving parts! Do not attempt to service the vehicle while it is running.
- Hot! Do not attempt to service hot engine, exhaust system, or motor. Failure to heed this warning could result in severe burns.
- Use insulated tools when working near batteries or electrical connections. Use extreme caution to avoid shorting of components or wiring.
- Check the vehicle owner's manual for proper location of all vehicle safety and operation decals and make sure they are in place and are easy to read.
- Any modification or change to the vehicle that affects the stability or handling of the vehicle, or increases maximum vehicle speed beyond factory specifications, could result in severe personal injury or death.
- Lift only one end of the vehicle at a time. Use a suitable lifting device (chain hoist or hydraulic floor jack) with 1000 lb. (454 kg) minimum lifting capacity. Do not use lifting device to hold vehicle in raised position. Use approved jack stands of proper weight capacity to support the vehicle and chock the wheels that remain on the floor. When not performing a test or service procedure that requires movement of the wheels, lock the brakes.
- If wires are removed or replaced, make sure wiring and wire harness are properly routed and secured. Failure to properly route and secure wiring could result in vehicle malfunction, property damage, personal injury, or death.
- For vehicles with cargo beds, remove all cargo before raising the bed or servicing the vehicle. If the vehicle is equipped with a prop rod, ensure that it is securely engaged while bed is raised. Do not close bed until all persons are clear of cargo bed area. Keep hands clear of all crush areas. Do not drop cargo bed; lower gently and keep entire body clear. Failure to heed this warning could result in severe personal injury or death.
- Improper use of the vehicle or failure to properly maintain it could result in decreased vehicle performance, severe personal injury, or death.
- Some aftermarket brake shoes contain asbestos fiber and asbestos dust is created when these brake mechanisms are handled. Wear approved eye and respiratory protection when disassembling and cleaning brake mechanisms. Inhalation of asbestos could result in severe personal injury or death. Do not use compressed air or aerosol sprays to clean the brake mechanism. Clean brake mechanisms using the negative pressure enclosure/HEPA vacuum system or low pressure/wet cleaning method per OSHA/29 cfr -1910.1001.
- Do not leave children unattended on vehicle.

GENERAL INFORMATION

The Club Car vehicles covered in this manual are equipped with two-wheel, self-adjusting brakes, two-wheel manually-adjusted brakes, or four-wheel, manually-adjusted brakes. **See Section 2 – Specifications.**

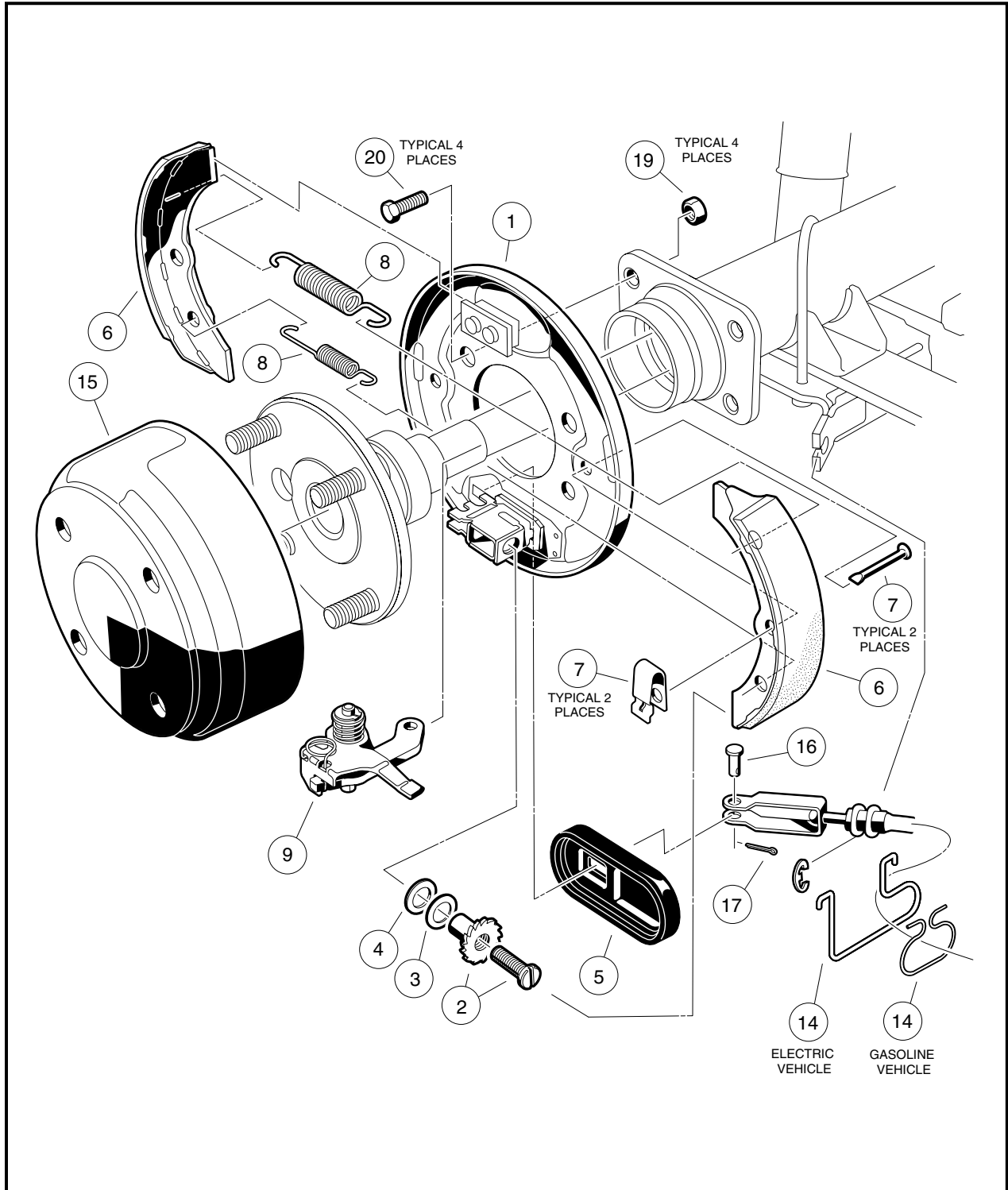


Figure 6-1 Self-Adjusting Brake Assembly

BRAKE SHOE REMOVAL

Read **DANGER** and **WARNING** on page 6-1.

1. To remove rear brake shoes, place chocks at the front wheels, loosen the rear wheel lug nuts, and lift the rear of the vehicle with a chain hoist or floor jack. Place jack stands under the axle tubes to support the vehicle.
2. Release park brake if latched and loosen equalizer retaining nuts (1) on equalizer rod (2) to slightly loosen brake cable (**Figure 6-2, Page 6-4**).

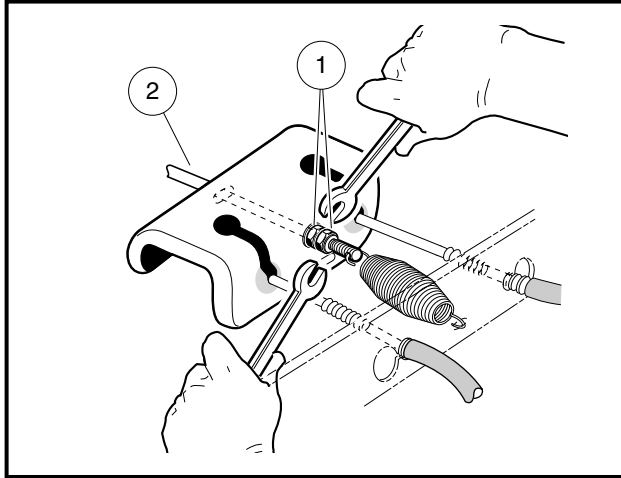


Figure 6-2 Loosen Equalizer Nut

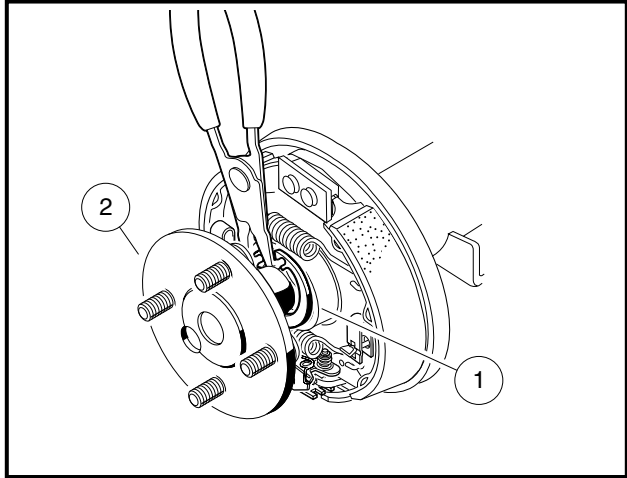


Figure 6-3 Remove Axle Retaining Ring

3. Remove the rear wheels and remove the brake drums. If the brake drums were easily removed, proceed to step 5.

CAUTION

- Worn or damaged brake drums cannot be machined to finish them. Replace as necessary.

NOTE: When servicing vehicles with self-adjusting brakes with badly worn brake shoes and when the drums cannot be removed by normal methods, proceed to step 4 to minimize damage to the brake cluster and brake components.

4. Removing brake drums with badly worn brake shoes.
 - 4.1. On the back of each brake cluster assembly, locate the heads of two brake shoe retaining pins. It may be necessary to remove sealant material around the head of each pin.
 - 4.2. Insert a 1/2 x 5/8 inch cold chisel under the head of each pin and shear them off as illustrated (**Figure 6-4, Page 6-5**). This will release the shoes from the backing plate, allowing them to pivot away from the inside of the brake drum and allow the brake drum to be pulled free. After completing step 5, skip step 6.
5. Remove the axle.
 - 5.1. Using 90° snap ring pliers (CCI P/N 1012560), remove axle retaining ring (1) (**Figure 6-3, Page 6-4**).
 - 5.2. Pull the axle shaft (2) from the axle tube (**Figure 6-3, Page 6-4**).

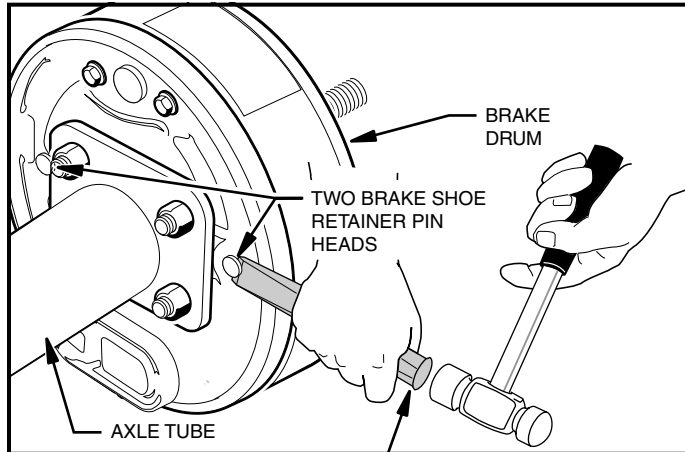


Figure 6-4 Shoe Retainer Pins

- Using needle nose pliers, rotate the clip retainer pin (1) 90° to remove the shoe retainer clip (2) on each shoe (Figure 6-5, Page 6-5).

CAUTION

- The brake shoes are under spring pressure and can release suddenly when brake shoe retainers are removed.

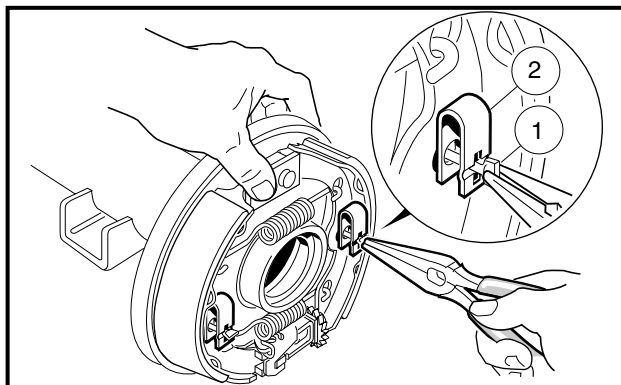


Figure 6-5 Rotate Clip Retainer

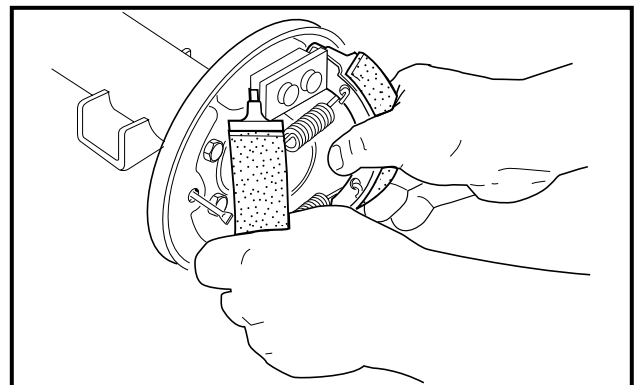


Figure 6-6 Remove Shoes

- Grasp both brake shoes and pull them, with the springs, out of brake assembly (Figure 6-6, Page 6-5).
- Self-adjusting brake vehicles only:** Remove the adjuster wheel (1) with two washers (2 and 3) from the backing plate (Figure 6-7, Page 6-6).

BRAKE ASSEMBLY CLEANING (SELF-ADJUSTING BRAKES)

Read **DANGER** and **WARNING** on page 6-1.

- Carefully clean the brake backing plate and all of its mechanical components.
- Remove the rubber boot from backing plate and wipe with a clean damp cloth.

Brake Assembly Cleaning (Self-Adjusting Brakes), Continued:

3. Lubricate the slide (1) and slide plate (2) with dry moly lubricant (CCI P/N 1012151) on both sides of the backing plate. After lubricating, work the slide back and forth to ensure it slides smoothly and easily (**Figure 6-8, Page 6-6**). Reinstall rubber boot onto backing plate.

⚠ WARNING

- Apply grease carefully when performing the following steps. Do not allow any grease to get on the friction surfaces of the brake shoe pads. Failure to heed this warning could cause diminished brake performance, possibly resulting in property damage or severe personal injury.
4. Use a small brush to carefully apply a light coat of white lithium NLGI #2 grease (Dow Corning® BR2-Plus or equivalent) on each of the six raised bosses on brake backing plate (**Figure 6-9, Page 6-6**). See preceding **WARNING**.

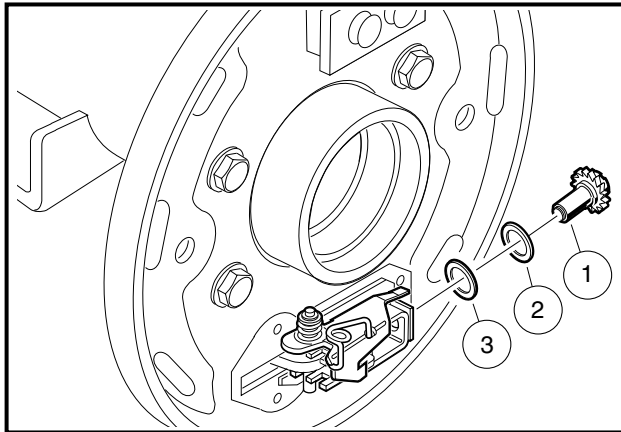


Figure 6-7 Remove Adjuster Wheel

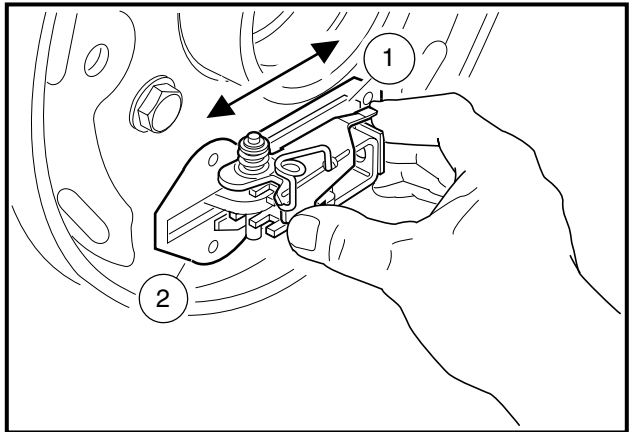


Figure 6-8 Lubricate Slide

5. Use a small brush to carefully apply a light coat of white lithium NLGI #2 grease (Dow Corning BR2-Plus or equivalent) to each end of both brake shoes and into the slots in the brake shoe mounting block as shown (**Figure 6-10, Page 6-6**). See preceding **WARNING**.

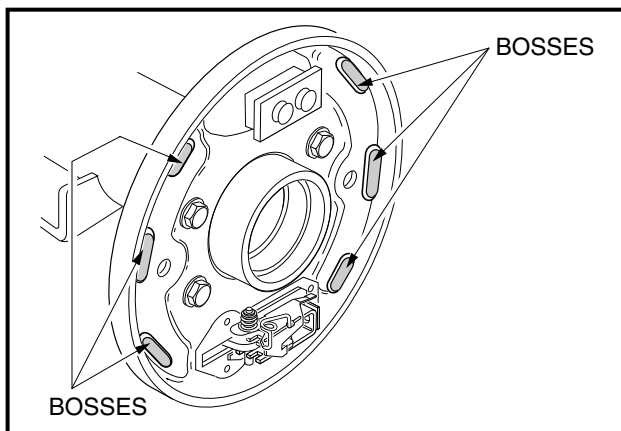


Figure 6-9 Lubricate Raised Bosses

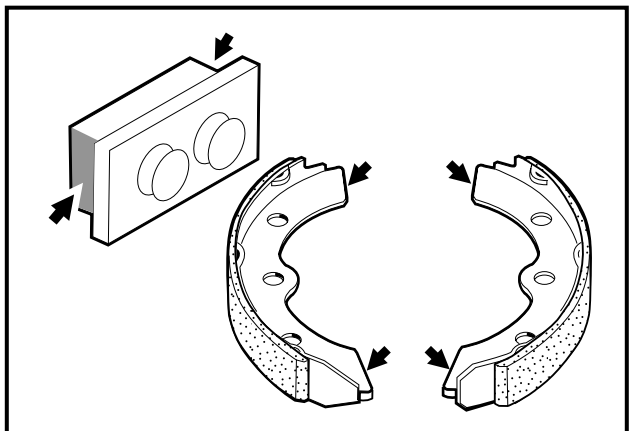


Figure 6-10 Lubricate Shoes

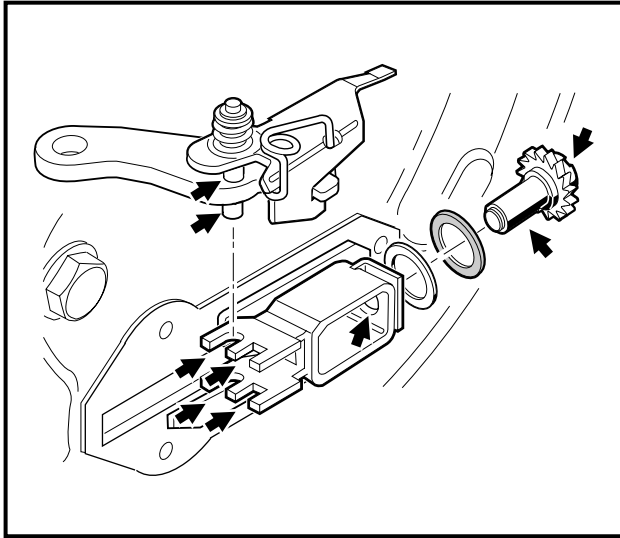


Figure 6-11 Lubricate Adjuster

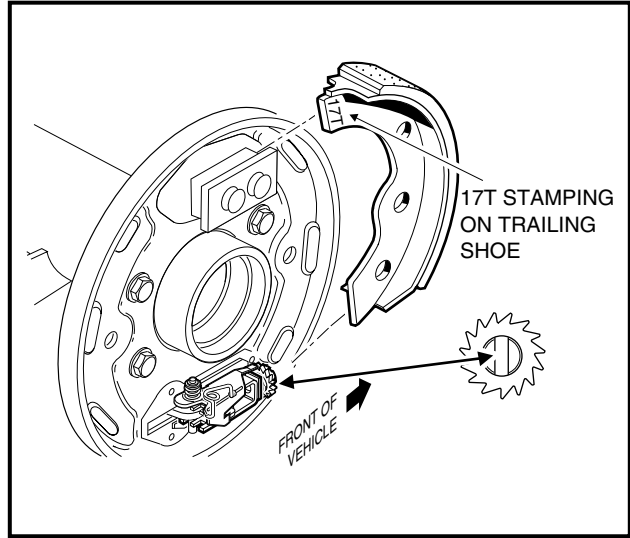


Figure 6-12 Trailing Shoe

6. Use a small brush to carefully apply a light coat of white lithium NLGI #2 grease (Dow Corning BR2-Plus or equivalent) to the brake adjuster assembly, adjuster wheel shoe slots, and the shaft of the adjuster wheel as shown (Figure 6-11, Page 6-7). See **WARNING** on page 6-6.
7. Install the adjuster wheel and two washers into the adjuster assembly (Figure 6-11, Page 6-7).

BRAKE SHOE INSTALLATION (SELF-ADJUSTING BRAKES)

Read **DANGER** and **WARNING** on page 6-1.

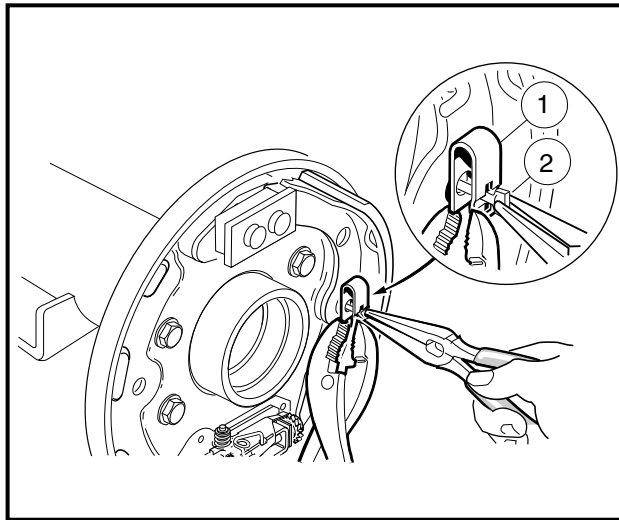
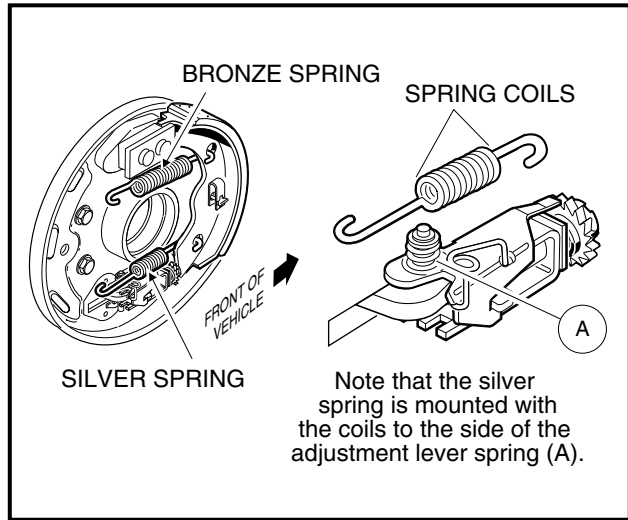
Turf 1 and Carryall 1 vehicles:

1. Turn the adjusting wheel screw so the shoe slot is vertical, then position the trailing shoe in the slots in the shoe mounting block and adjuster assembly (Figure 6-12, Page 6-7). See following **NOTE**.

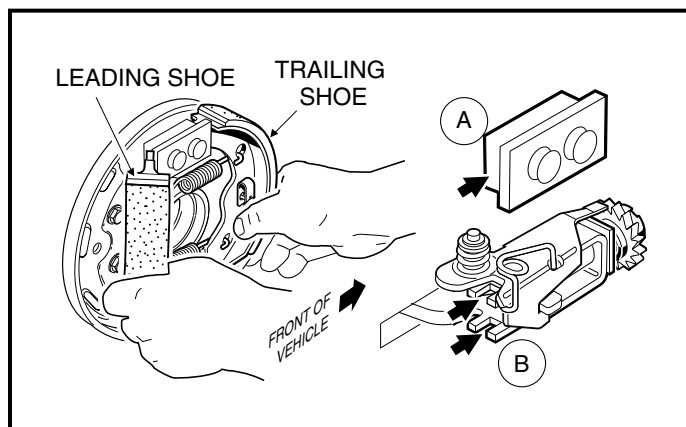
NOTE: The trailing shoe has 17T stamped into the tip of the shoe flange (Figure 6-12, Page 6-7). The leading shoe is stamped 17L. When installing the shoes, the stampings on both shoes should be oriented to the top of the brake assembly. When installing the shoes on the passenger side of the vehicle, the side of the trailing shoe flange marked 17T should be facing out and be visible. On the driver side, the 17L on the leading shoe should be facing out and be visible.

When installed on the backing plate, the leading shoe (stamped 17L) is always oriented toward the rear of the vehicle.

2. Install the shoe retainer clip (1). Compress clip while turning retainer pin (2) into position (Figure 6-13, Page 6-8).
3. Attach the springs onto the trailing shoe already installed. Then hold the leading shoe next to the trailing shoe, correctly oriented, and attach the springs to it (Figure 6-14, Page 6-8).

Brake Shoe Installation (Self-Adjusting Brakes), Continued:**Figure 6-13 Retainer Clip****Figure 6-14 Spring Orientation**

4. While maintaining spring attachment on both shoes, position tips of leading shoe in the mounting slots and then push shoe into place. Hold shoe in position and install retaining clip (**Figure 6-15, Page 6-8**).
5. After the shoes are installed, move them together up and down and side to side to make sure that they will easily slide approximately 1/4 to 3/8 inch (6.3 to 9.5 mm) without binding. Make sure the shoes are positioned vertically so that the tips of the shoes are positioned flush at the top with the top surfaces of the wedge shapes on the shoe mounting blocks as shown (**Figure 6-16, Page 6-9**).
6. Place a flat blade screwdriver under the adjusting arm and raise arm off of the adjusting wheel. While holding the arm up, turn the wheel upward until it stops (**Figure 6-17, Page 6-9**). Remove the screwdriver.

**Figure 6-15 Install Leading Shoe****⚠ CAUTION**

- Clean any residual oil from the exposed end of the axle shaft and from the oil seal area prior to installing the axle shaft.

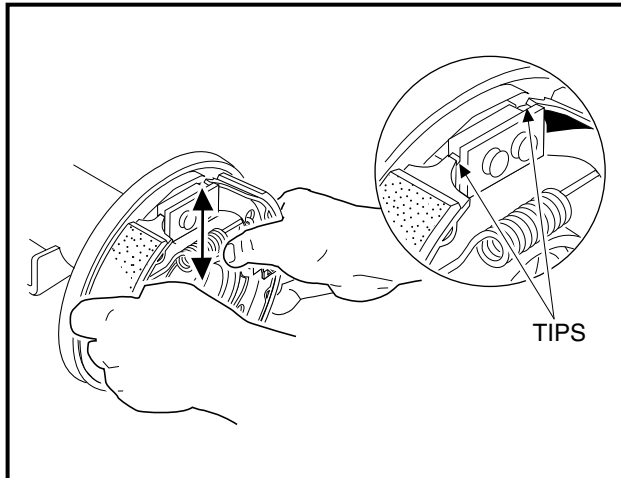
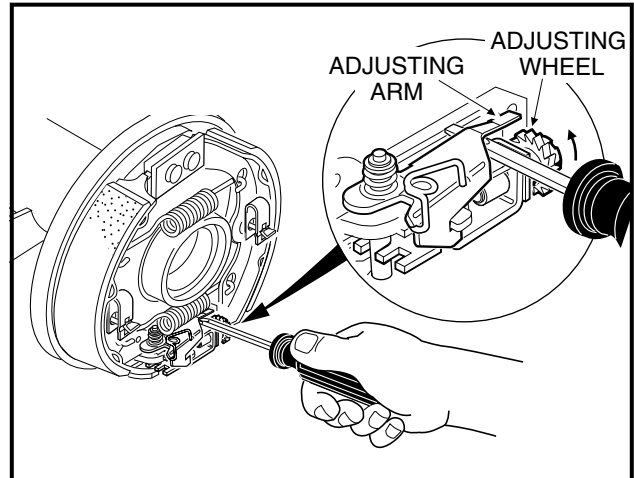


Figure 6-16 Slide Shoes

Figure 6-17 Turn Adjusting Wheel
(Self-Adjusting Brakes)

7. Install axle shaft (2) into axle tube and install retaining ring (1) (Figure 6-3, Page 6-4). See following **WARNING** and **CAUTION**.

⚠ WARNING

- Be sure retaining ring is properly seated in groove. If ring is not properly installed, the axle assembly will separate from the transaxle and damage the axle assembly and other components. Loss of vehicle control could result in severe personal injury or death.

⚠ CAUTION

- Clean any residual oil from the exposed end of the axle shaft and from the oil seal area prior to installing the axle shaft.

8. Install the brake drum and make sure it is properly seated. See following **NOTE**.

NOTE: If drum installation is difficult, the brake shoes may need to be adjusted vertically in the mounting slots.

9. After drum is installed, make sure the axle and drum turn freely, then install wheel and tire assembly. See **Section 8 – Wheels and Tires**.

BRAKE ADJUSTMENT (SELF-ADJUSTING BRAKES)

Read **DANGER** and **WARNING** on page 6-1.

Turf 1 and Carryall 1 vehicles

1. When cleaning or repair on both wheels is complete, and with brake cable still loose, lower vehicle to floor.
2. Make the brake shoe and drum adjustment by depressing and releasing the brake pedal repeatedly until an audible clicking can no longer be heard (Figure 6-17, Page 6-9).
3. Adjust brake pedal free play.

Brake Adjustment (Self-Adjusting Brakes), Continued:

NOTE: Brake pedal free play is the distance the brake pedal can be depressed before the brake actuator arm (at the brake cluster) moves.

- 3.1. Measuring perpendicular from the floorboard to the back of the brake pedal, depress the brake pedal and measure the distance that the pedal moves before all of the slack is taken out of the brake cables (**Figure 6-18, Page 6-10**).
- 3.2. Tighten the nut on the equalizer rod so that the brake pedal free play is 1/4 to 1/2 inch (6.35 mm to 12.7 mm).
- 3.3. Tighten the jam nut (3) while holding the adjustment nut (2) in the correct position.

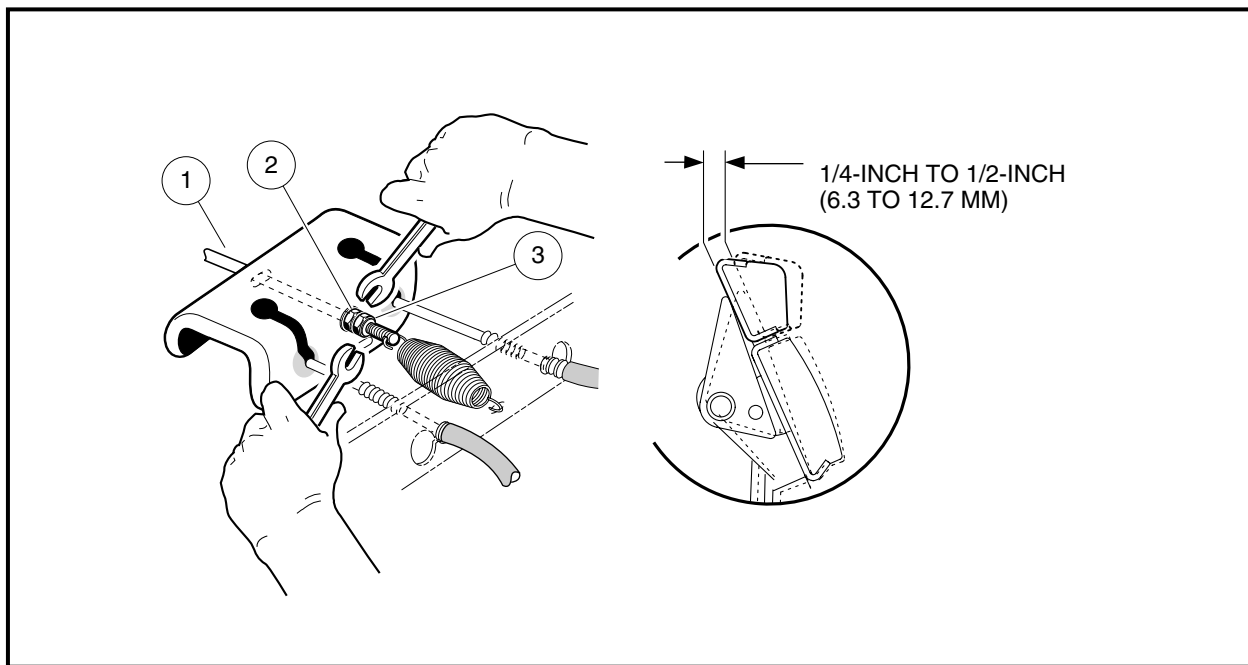


Figure 6-18 Brake Pedal Free Play Adjustment

BRAKE ASSEMBLY CLEANING (MANUALLY-ADJUSTED BRAKES)

Read **DANGER** and **WARNING** on page 6-1.

Turf 2, Carryall 2, 2 Plus, and 6 vehicles

1. Carefully clean the brake backing plate and all mechanical components.
2. Remove rubber boot from backing plate and wipe with a clean, damp cloth.
3. Lubricate slide (1) and slide plate (2) with dry moly lubricant (CCI P/N 1012151) on both sides of the backing plate. After lubricating, work slide back and forth to ensure it slides smoothly and easily (**Figure 6-19, Page 6-11**). Reinstall rubber boot onto backing plate.

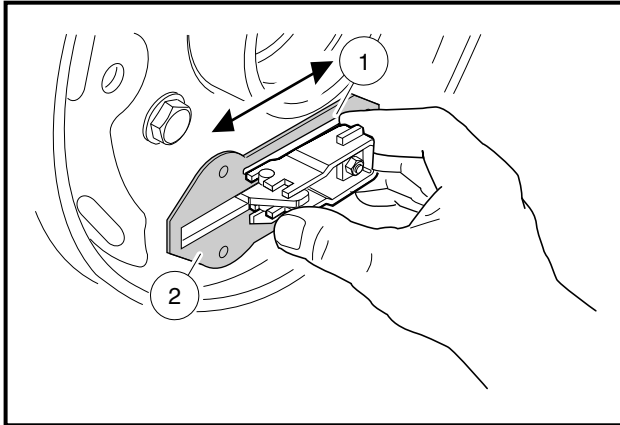


Figure 6-19 Lubricate Slide

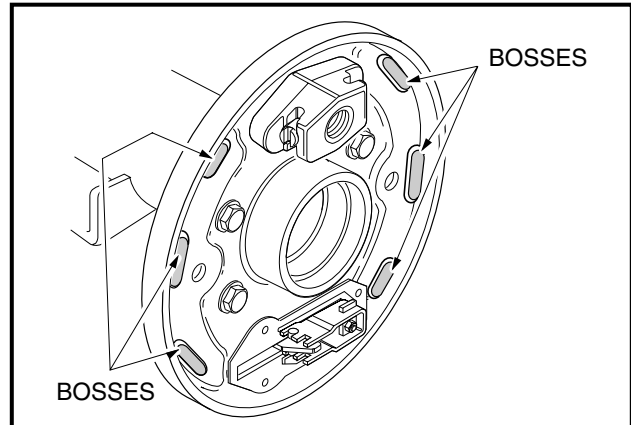


Figure 6-20 Lubricate Raised Bosses

⚠ WARNING

- Apply grease carefully when performing the following steps. Do not allow any grease to get on the friction surfaces of the brake shoe pads. Failure to heed this warning could cause diminished brake performance, possibly resulting in property damage or severe personal injury.

4. Use a small brush to carefully apply a light coat of white lithium NLGI #2 grease (Dow Corning BR2-Plus or equivalent) on each of the six raised bosses on brake backing plate (Figure 6-20, Page 6-11). See preceding WARNING.
5. Use a small brush to carefully apply a light coat of white lithium NLGI #2 grease (Dow Corning BR2-Plus or equivalent) to each end of both brake shoes and into the slots in the brake shoe mounting block as shown (Figure 6-21, Page 6-11). See preceding WARNING.
6. Use a small brush to carefully apply a light coat of white lithium NLGI #2 grease (Dow Corning BR2-Plus or equivalent) to the brake actuator assembly as shown (Figure 6-22, Page 6-11). See preceding WARNING.

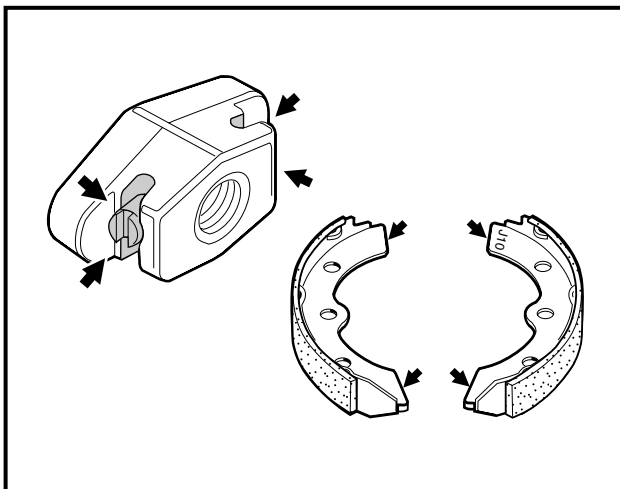


Figure 6-21 Lubricate Shoes

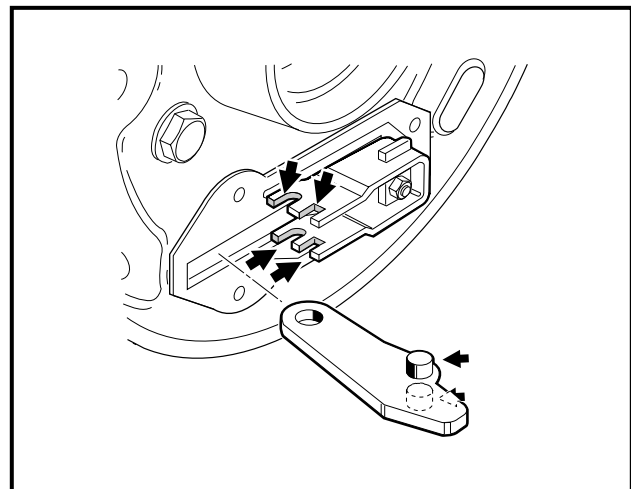


Figure 6-22 Lubricate Actuator

BRAKE SHOE INSTALLATION (MANUALLY-ADJUSTED BRAKES)

Read **DANGER** and **WARNING** on page 6-1.

Turf 2, Carryall 2, 2 Plus, and 6 vehicles

NOTE: Components of the front wheel brake assembly are identical to the rear wheel manually-adjusted brake assembly. The front brake assembly is rotated 90° (when compared to the rear brake assembly) so the adjusting bolt on each assembly is oriented to the rear of the vehicle rather than at the top of the assembly (**Figure 6-33, Page 6-18**).

1. Position one shoe in the slots in the mounting block anchor piston and brake actuator (**Figure 6-23, Page 6-12**). See following **WARNING**.

⚠ WARNING

- When installing brake shoes, the shoes must be oriented with tips stamped J10 inserted into the mounting block anchor piston slots rather than into the brake actuator slots (**Figure 6-23, Page 6-12**). Incorrectly installed brake shoes will be too tight and make adjustment of the brake impossible.

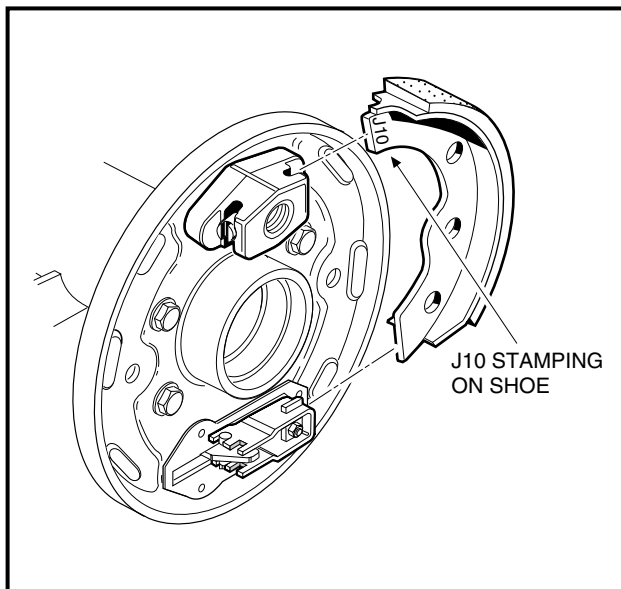


Figure 6-23 Position Shoes

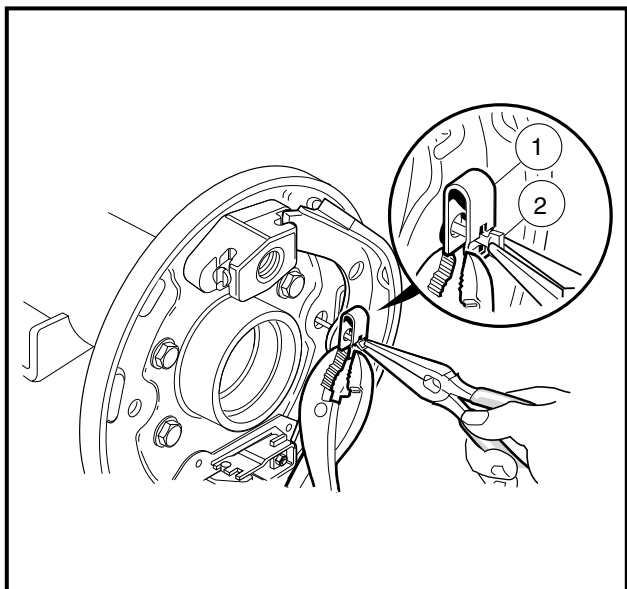


Figure 6-24 Retainer Clip

2. Install shoe retainer clip (1), using pliers to compress clip while turning clip retainer pin (2) into position (**Figure 6-24, Page 6-12**).
3. Attach the springs (with hooks pointing outwards) onto the shoe already installed. Then hold the other shoe next to it, correctly oriented, and attach the springs to it (**Figure 6-25, Page 6-13**). See following **NOTE**.

NOTE: With brake shoe tips marked J10 oriented to the mounting block, the stamping will be visible on one shoe only. The other J10 stamping will be facing the backing plate and will not be visible.

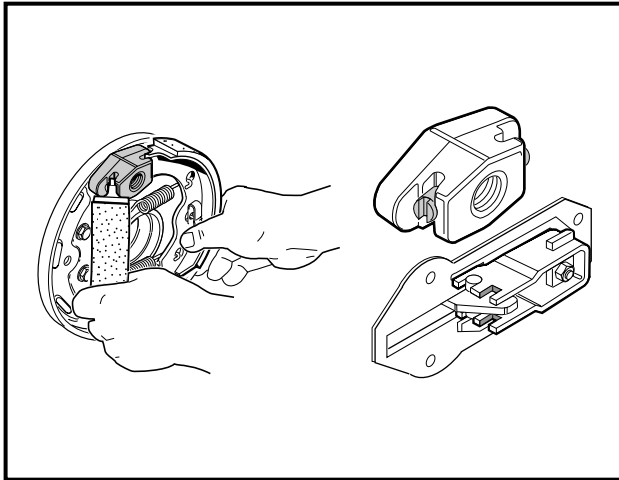


Figure 6-25 Insert Shoes

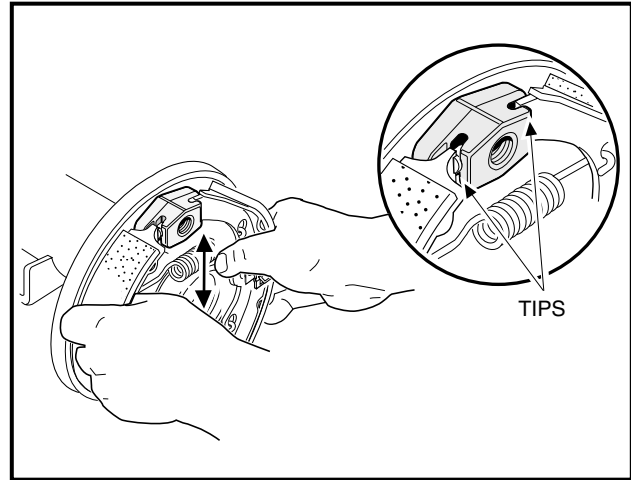


Figure 6-26 Position Shoes

4. While maintaining spring attachment on both shoes, position the tips of the second shoe into mounting slots and then push shoe into place. Hold shoe in position and install the retaining clip and pin (**Figure 6-25, Page 6-13**).
5. After the shoes are installed, move them together up and down and side to side to make sure that they will easily slide approximately 1/4 to 3/8 inch (6.3 to 9.5 mm) without binding. Make sure the shoes are positioned vertically so the tips of the shoes are positioned flush with the top surface of the shoe mounting blocks as shown (**Figure 6-26, Page 6-13**).

⚠ CAUTION

- Clean any residual oil from the exposed end of the axle shaft and from the oil seal area prior to installing the axle shaft.
6. Install axle shaft (2) into axle tube and install retaining ring (1) (**Figure 6-3, Page 6-4**). See **WARNING** on page 6-9.
 7. Install the brake drum and make sure that it is properly seated. See following **NOTE**

NOTE: If drum installation is difficult, the brake shoes may need to be adjusted vertically in the mounting slots.

8. After the drum is installed, make sure the axle and drum turn freely.

BRAKE ADJUSTMENT (MANUALLY-ADJUSTED BRAKES)

Read **DANGER** and **WARNING** on page 6-1.

CAUTION

- Pedal group adjustment must be within specifications prior to beginning brake adjustment. Perform the appropriate pedal group adjustment.
 - For gasoline vehicles, refer to Pedal Group Adjustment – Gasoline Vehicles, Section 5, Page 5-16.
 - For electric vehicles with MCOR, refer to Pedal Group Adjustment – Electric Vehicles with MCOR, Section 5, Page 5-21.
 - For electric vehicles with continuously-variable potentiometers, refer to Pedal Group Adjustment – Electric Vehicles with CVP, Section 5, Page 5-22.
 - For electric vehicles with multi-step potentiometers, refer to Pedal Group Adjustment – Multi-Step Pot. Electric Vehicles, Section 5, Page 5-27.

NOTE: All brake cluster components must be clean, lubricated, and in good working condition prior to beginning brake adjustment.

All wheels must be installed on the vehicle and lug nuts tightened to 55 ft-lb (74.6 N·m).

BRAKE CLUSTER ADJUSTMENT

1. Chock wheels.
 - 1.1. To provide slack in the brake cables, loosen the equalizer retaining nuts (1 and 5) on the equalizer rod (2) (**Figure 6-31, Page 6-15**).
2. **Four-wheel brake vehicles only:** Loosen the front brake equalizer rod (**Figure 6-30, Page 6-15**).
3. Remove the dust cover (4) on the left and right rear brake cluster assemblies (**Figure 6-28, Page 6-14**).

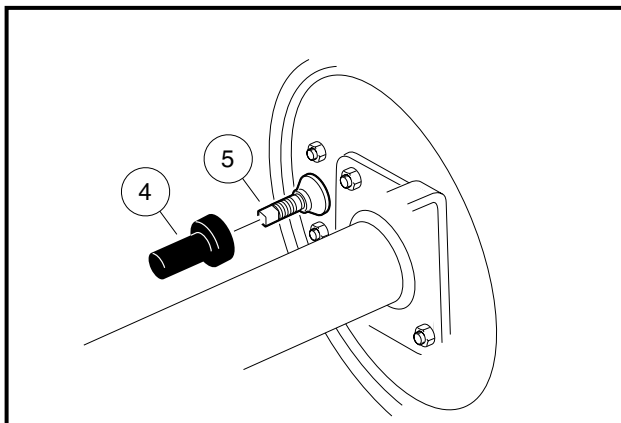


Figure 6-27 Front Brake Adjustment Bolt

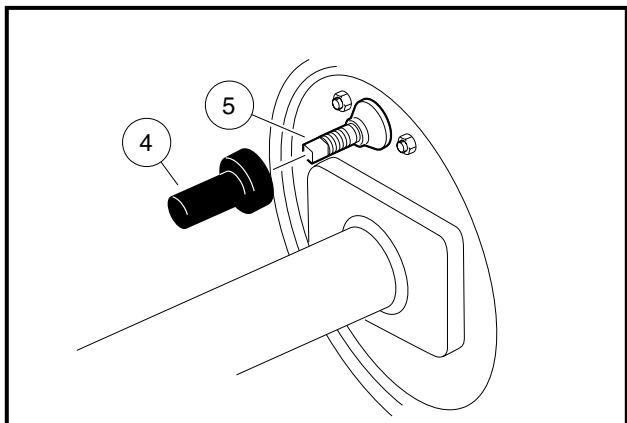


Figure 6-28 Rear Brake Adjustment Bolt

4. Using a torque wrench and a 7-mm 8-point socket or Club Car brake adjustment tool (CCI P/N 1013582), turn the brake adjustment bolt (5) on each brake clockwise until it is tightened to 15 ft-lb (20.3 N·m) and continue clockwise rotation to the point at which torque is released. Stop tightening the bolt as soon as the torque releases, or the brake will not be properly adjusted. **See following NOTE.**

NOTE: If a wheel can still be turned by hand after step 4, inspect the brake clusters and clean and/or replace all parts that do not work properly.

5. **Four-wheel brake vehicles only:** Repeat procedure at front brake clusters.

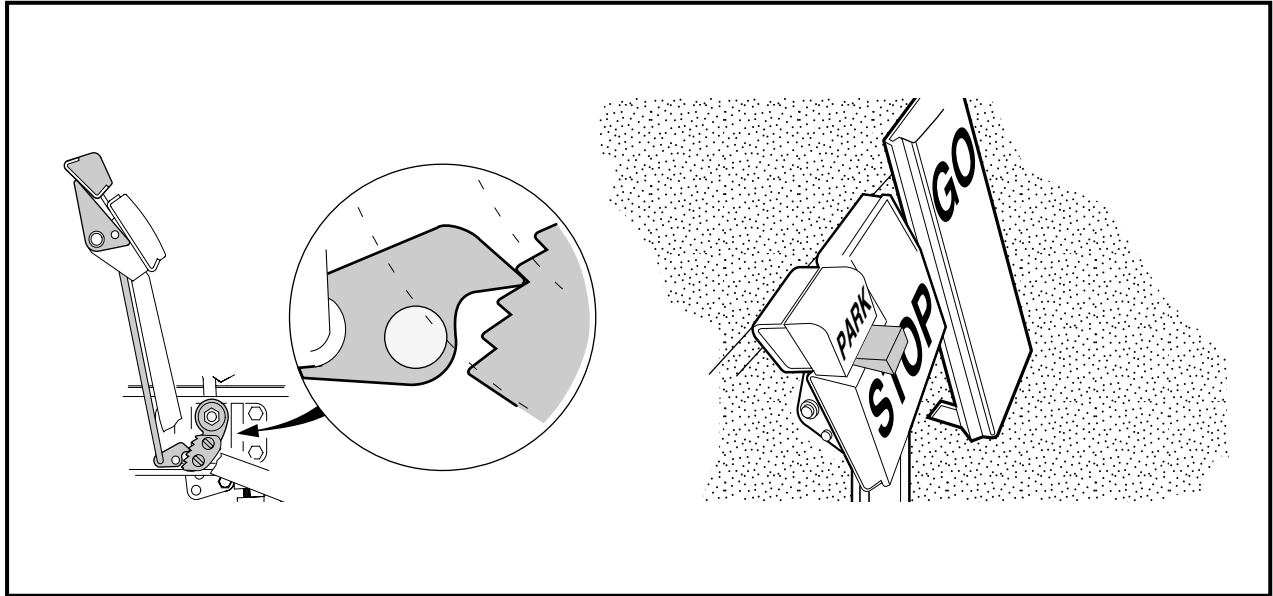


Figure 6-29 Set Park Brake and Insert Wedge

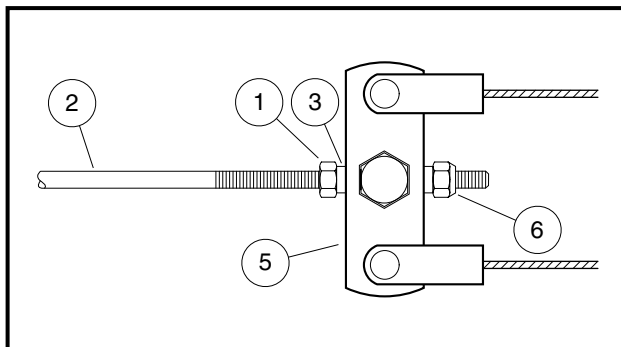


Figure 6-30 Front Equalizer Adjustment

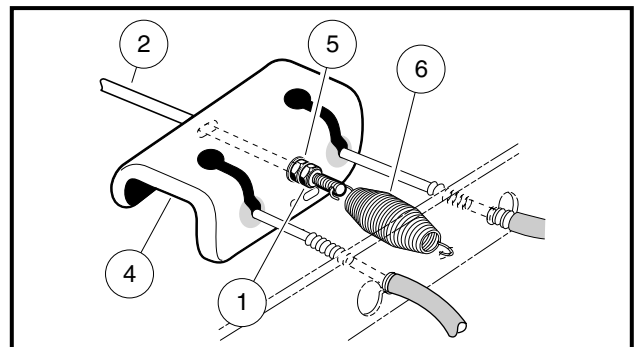


Figure 6-31 Rear Equalizer Adjustment

BRAKE CABLE EQUALIZATION

1. Set park brake in the third tooth of the ratchet. Place a wedge between the park brake pedal and brake pedal to prevent the park brake from disengaging while equalizing the brake cables (**Figure 6-29, Page 6-15**).
2. Equalize the brake cables.
 - 2.1. **Four-wheel brake vehicles only:** Tighten the nylon lock nut (6) on the front equalizer rod (2) to 35 in-lb (4 N·m) (**Figure 6-30, Page 6-15**).
 - 2.2. Tighten the jam nut (5) on the rear equalizer rod (2) clockwise to 35 in-lb (4 N·m) (**Figure 6-31, Page 6-15**).
 - 2.3. Repeat steps 2.1 and 2.2 until the nuts remain on the torque setting.

Brake Cable Equalization, Continued:

- 2.4. Hold the lock nut (6) on the front equalizer rod (2) in place with a wrench and tighten the jam nut (1) to 13 ft-lb (17.6 N·m) (**Figure 6-30, Page 6-15**).
- 2.5. Hold the jam nut (5) on the rear equalizer rod (2) in place with a wrench and tighten the lock nut (1) to 13 ft-lb (17.6 N·m) (**Figure 6-31, Page 6-15**).

 CAUTION

- If the brake pedal return spring (6) was disconnected while equalizing the brake cables, be sure to reconnect it before proceeding (**Figure 6-31, Page 6-15**).

FINAL BRAKE CLUSTER ADJUSTMENT

1. To adjust the brake shoes, turn the adjustment bolt counterclockwise five clicks.
2. Repeat step 1 at other brake cluster(s).
3. Install the rubber dust covers (4) over the brake adjustment bolts (5) (**Figure 6-27, Page 6-14 and Figure 6-28, Page 6-14**).
4. Carefully support the vehicle with the lifting device, remove jack stands and lower the vehicle to the ground.

TEST DRIVE VEHICLE

1. With the vehicle on a level surface, release the park brake and push the vehicle by hand. If brake drag exists, readjust cable tension and brakes. **See Brake Cable Equalization on page 6-15. See also Final Brake Cluster Adjustment on page 6-16.**
2. Pedal free play should be less than 1 inch (2.5 cm). If free play exceeds 1 inch (2.5 cm), check pedal group adjustment, and readjust cable tension and brakes. **See Brake Cable Equalization on page 6-15. See also Final Brake Cluster Adjustment on page 6-16. See following NOTE.**

NOTE: Brake pedal free play is the distance the brake pedal can be depressed before the brake actuator arm (at the brake cluster) moves.

3. Test drive vehicle. Be sure the brakes function properly. When brake pedal is fully depressed under moderate pressure, it should **not** go more than halfway to floor, and the vehicle should come to a smooth, straight stop. If the brake pedal goes more than halfway to the floor, or if the vehicle swerves or fails to stop, check pedal group adjustment, and readjust cable tension and brakes. **See Brake Cable Equalization on page 6-15. See also Final Brake Cluster Adjustment on page 6-16.** Brake adjustment must be maintained so the brake pedal cannot be depressed to the floor under any circumstance.

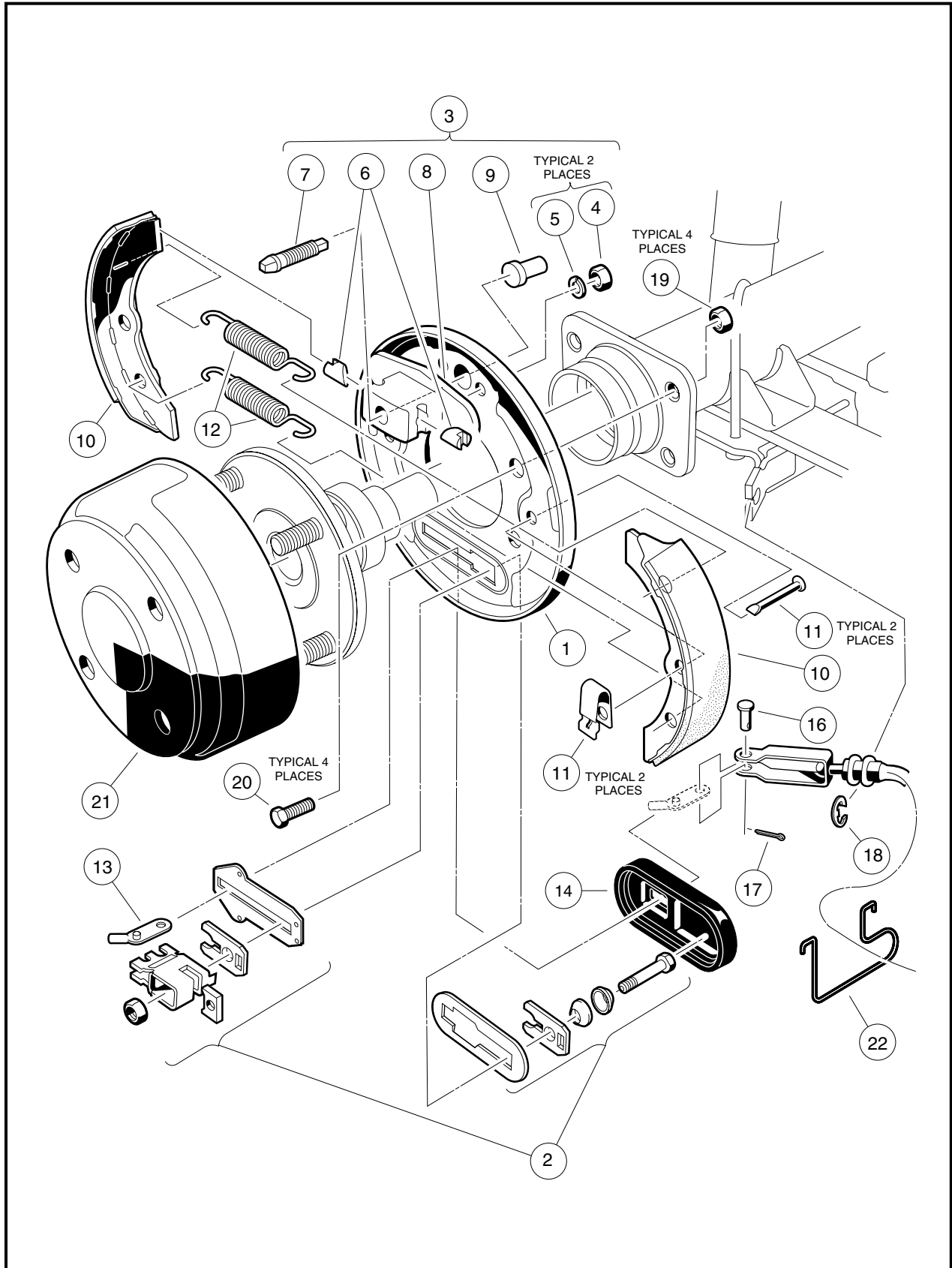


Figure 6-32 Rear Manually-Adjusted Brake Assembly

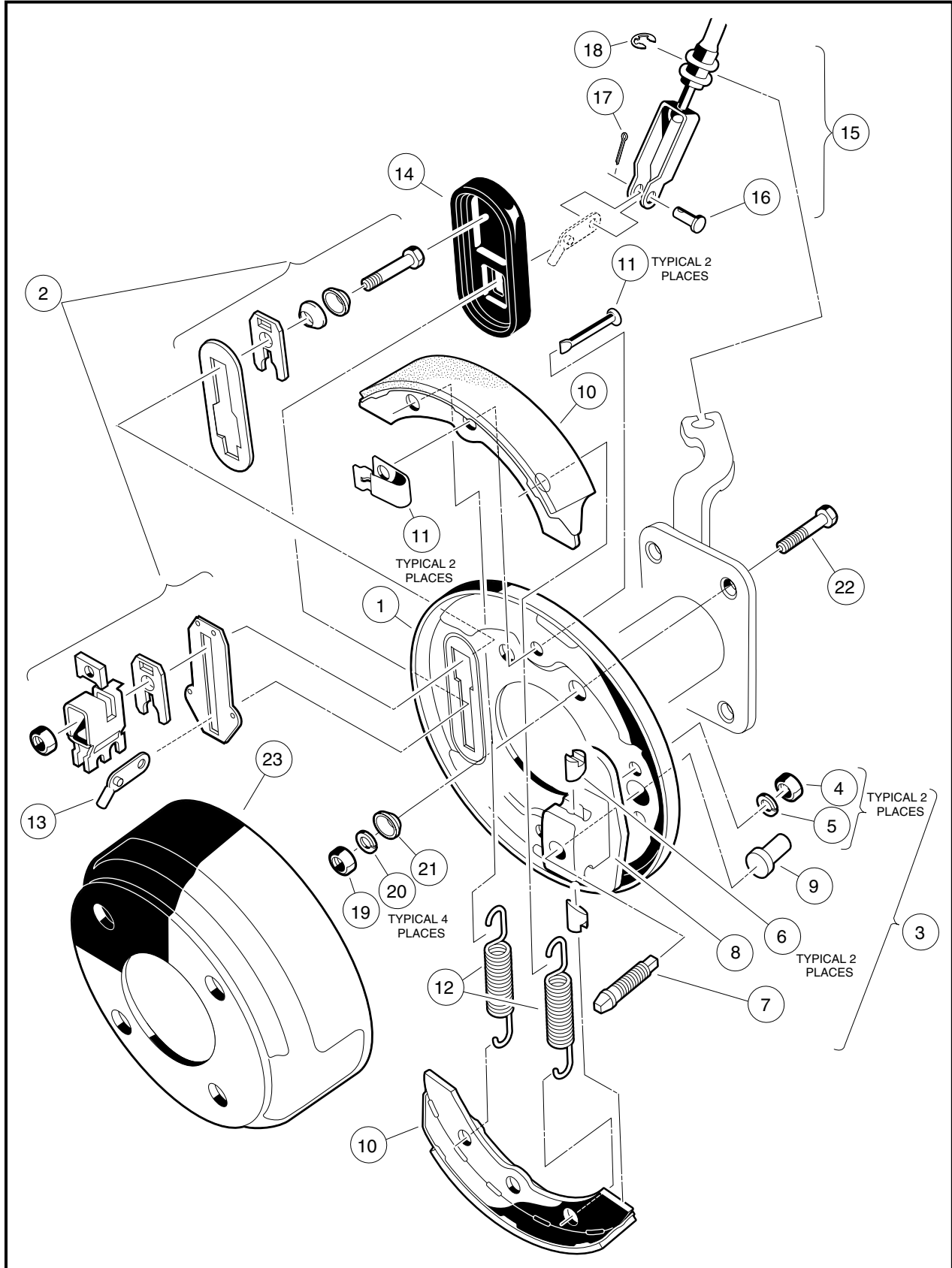


Figure 6-33 Front Manually-Adjusted Brake Assembly

BRAKE CLUSTER REMOVAL AND INSTALLATION

Read **DANGER** and **WARNING** on page 6-1.

REAR BRAKE CLUSTER REMOVAL

1. Place chocks at the front wheels, loosen the lug nuts on the rear wheels and lift the rear of the vehicle with a chain hoist or floor jack. Place jack stands under the axle tubes to support the vehicle.
2. Release park brake and loosen equalizer retaining nuts (1 and 5) on equalizer rod (2) to slightly loosen brake cable (**Figure 6-31, Page 6-15**).
3. Remove the rear wheels and then the brake drums.

NOTE: When servicing vehicles with self-adjusting brakes with badly worn brake shoes and when the drums cannot be removed by normal methods, perform step 4 of Brake Shoe Removal on page 6-4 and continue with this procedure.

4. Remove the axle:
 - 4.1. Using 90° snap ring pliers, remove the axle retaining ring (1) (**Figure 6-3, Page 6-4**).
 - 4.2. Pull the axle shaft (2) from the axle tube (**Figure 6-3, Page 6-4**).
5. Remove cotter pin (17) and clevis pin (16) from brake cable (**Figure 6-32, Page 6-17 or Figure 6-1, Page 6-3**).
6. Remove 4 bolts (20) and cone lock nuts (19) that mount the brake assembly to the transaxle (**Figure 6-32, Page 6-17 or Figure 6-1, Page 6-3**).
7. Remove rear brake cluster assembly from transaxle.

REAR BRAKE CLUSTER INSTALLATION

1. Install in reverse order of disassembly. Use new cotter pins when installing brake cables.

⚠ CAUTION

- Clean any residual oil from the exposed end of the axle shaft and from the oil seal area prior to installing the axle shaft.
2. Be sure bolts (20) and new cone lock nuts (19) are used to mount the brake assembly (**Figure 6-32, Page 6-17 or Figure 6-1, Page 6-3**).
 3. Tighten bolts to 30 ft-lb (40 N·m). See following **WARNING**.

⚠ WARNING

- Be sure retaining ring is properly seated in groove. If ring is not properly installed, axle assembly will separate from transaxle and damage axle assembly and other components. Loss of vehicle control could result in severe personal injury or death.
4. Adjust brakes as previously described in this section for the appropriate vehicle.

FRONT BRAKE CLUSTER REMOVAL

1. Place chocks at rear wheels, loosen lug nuts on front wheels, and lift the front of the vehicle with a chain hoist or floor jack. Place jack stands under the round tube crossmember of the frame to support vehicle.
2. Release park brake.
3. Loosen the equalizer retaining nuts (1 and 6) on the front equalizer rod (2) to slightly loosen the brake cable (**Figure 6-30, Page 6-15**).
4. Remove the front wheels and then the brake drums.
5. Remove cotter pin (17) and clevis pin (16) from brake cable (**Figure 6-33, Page 6-18**).
6. Remove dust cap (6) on hub and bearing assembly (**Figure 6-34, Page 6-20**).
7. Remove cotter pin (5) and hex nut (7) from spindle shaft (**Figure 6-34, Page 6-20**).
8. Remove hub and bearing assembly from spindle shaft. Remove four bolts (22), cone washers (21), lock washers (20) and hex nuts (19) that mount the brake assembly to the spindle (**Figure 6-33, Page 6-18**).
9. Remove brake cluster assembly from spindle.

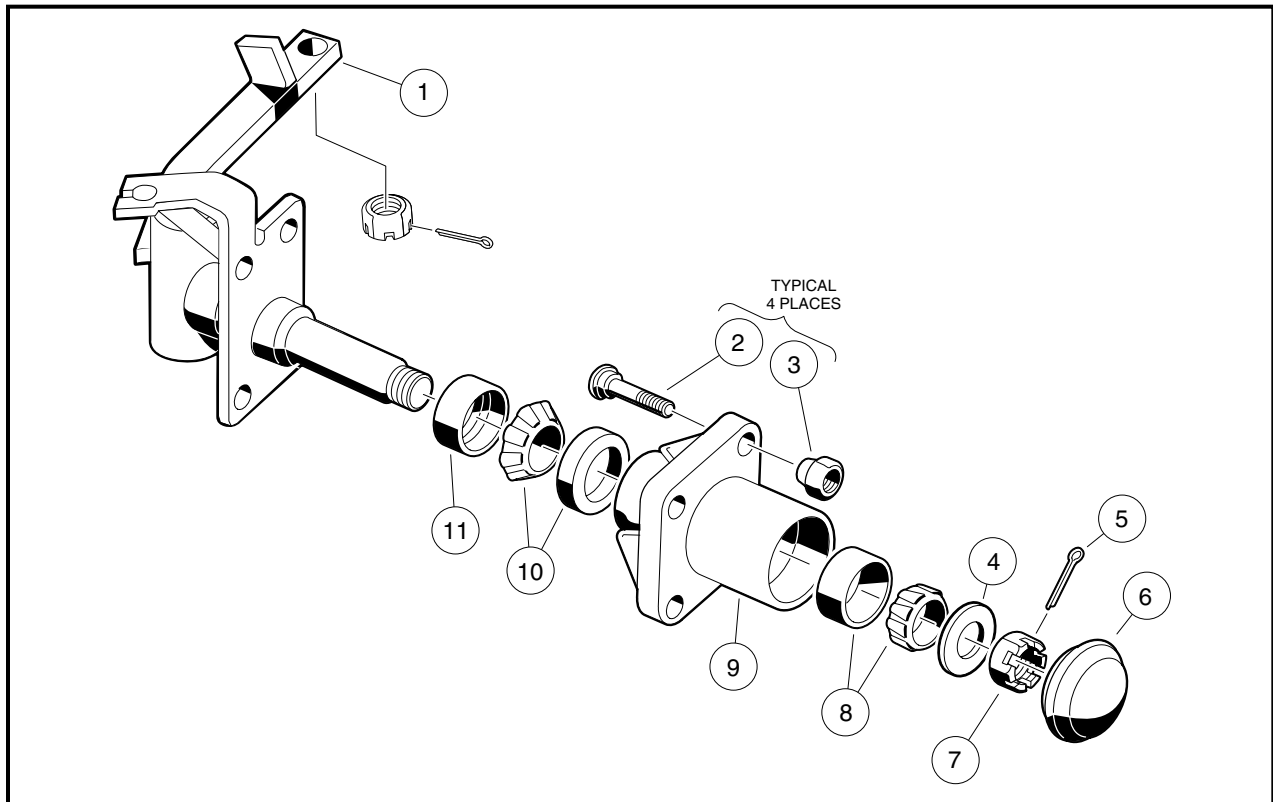


Figure 6-34 Front Spindle Assembly

FRONT BRAKE CLUSTER INSTALLATION

1. Install in reverse order of removal. Use bolts (22), cone washers (21), lock washers (20) and hex nuts (19) to mount brake assembly (**Figure 6-33, Page 6-18**).
2. Tighten bolts to 30 ft-lb (41 N·m). Adjust brakes as previously described in this section for the appropriate vehicle. Use new cotter pins when reconnecting brake cables.

FRONT BRAKE CABLES

Read **DANGER** and **WARNING** on page 6-1.

FRONT BRAKE CABLE REMOVAL

1. Remove cotter pin (2) and clevis pin (3) from brake lever arm on front brake cluster (**Figure 6-35, Page 6-21**).
2. Remove E-clip (1) from brake cable housing at the front spindle bracket and remove cable from spindle (**Figure 6-35, Page 6-21**).

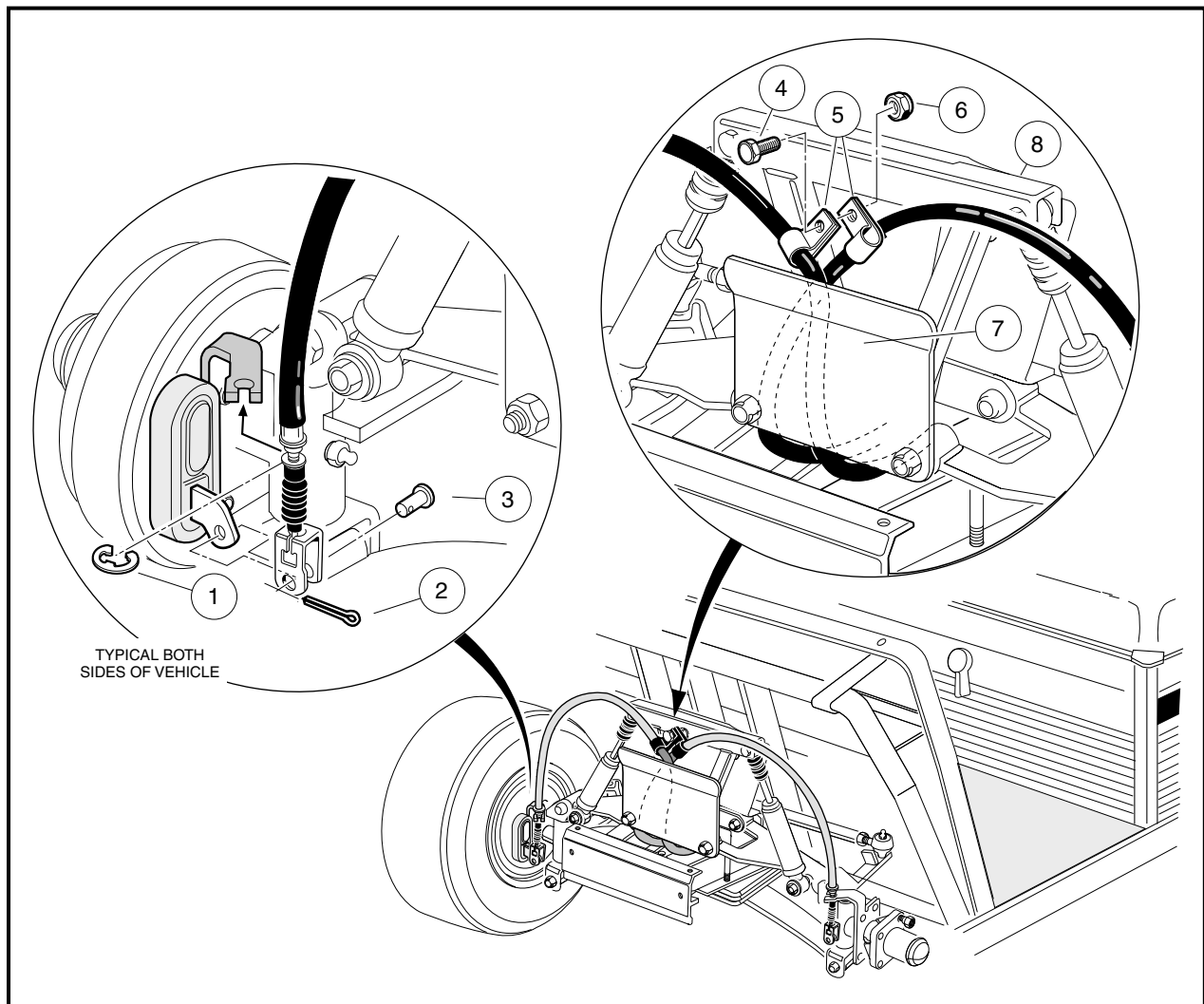


Figure 6-35 Front Brake Cables

3. Remove cotter pin (9), clevis pin (10), and E-clip (8) from brake cable at equalizer (18) (**Figure 6-36, Page 6-22**).
4. Remove bolt (4) and nut (6) from brake cable clamp (5) (**Figure 6-35, Page 6-21**).
5. Remove cable from vehicle.

FRONT BRAKE CABLE INSTALLATION

1. Place brake cable through frame mounting hole behind equalizer and install E-clip (8) on cable housing (Figure 6-36, Page 6-22).
2. Place brake cable clevis (6) on equalizer (18) and install the clevis pin (10) and new cotter pin (9).

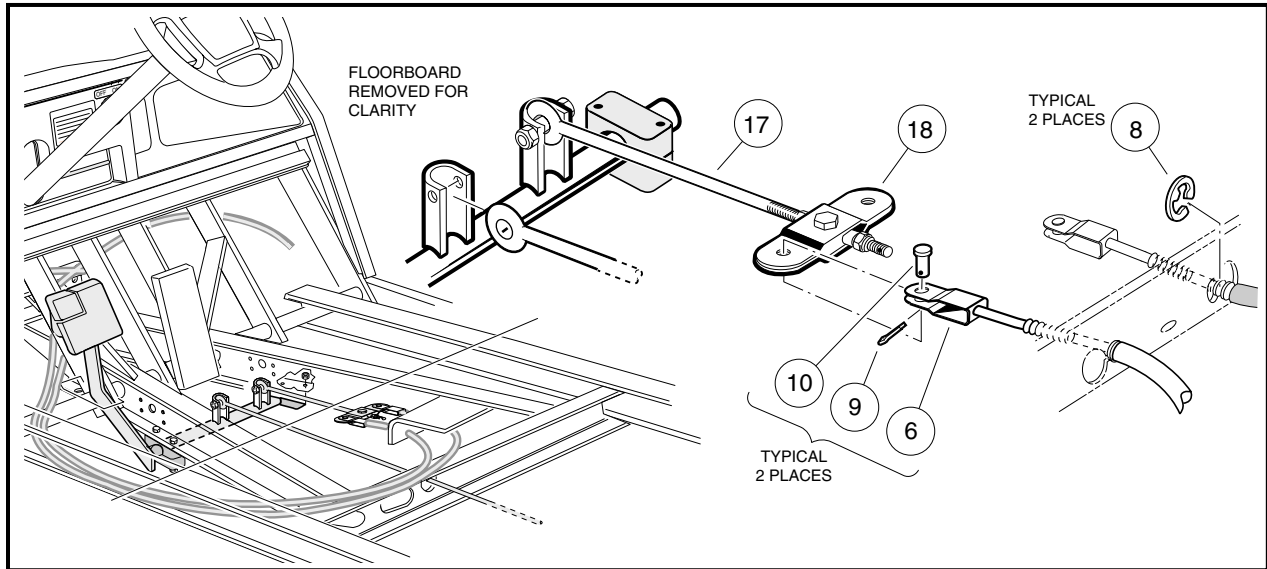


Figure 6-36 Brake Equalizer

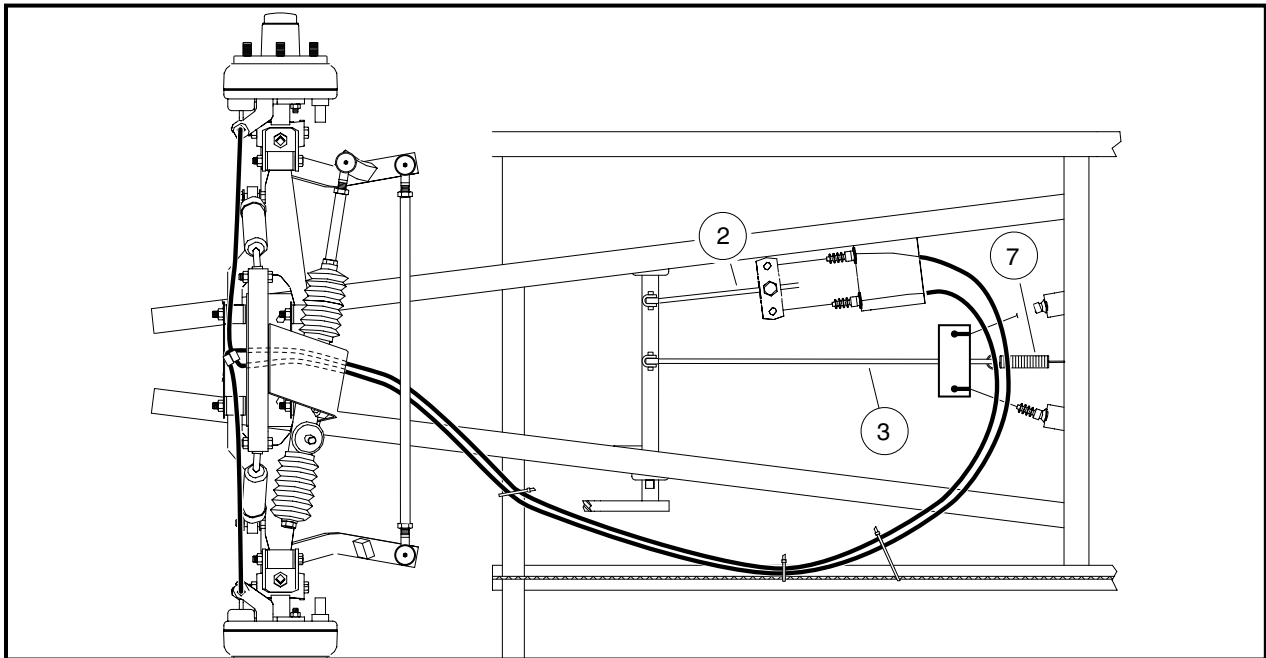


Figure 6-37 Front Brake Cable Routing

3. Route cable towards the rear of vehicle and over to the driver-side I-beam and secure with wire ties so that the brake cable does not touch the brake equalizer (Figure 6-37, Page 6-22).

- For Turf 6 and Carryall 6 vehicles, the cable should also pass over the brake equalizer rods. On the Turf 6 and Carryall 6 gasoline vehicle, the cable should also pass over the accelerator rod.
 - For Turf 2, Carryall 2 and Carryall 2 Plus vehicles, the cable should pass over the inside I-beam (**Figure 6-37, Page 6-22**).
4. Route cable along I-beam towards front of the vehicle and secure as shown (**Figure 6-37, Page 6-22**).
 - For Turf 2 and Carryall 2 electric and all Turf 6 and Carryall 6 vehicles, route cable through hole in I-beam crossmember.
 5. Route brake cable between the shock support (8) and brake cable guide bracket (7) (**Figure 6-35, Page 6-21**). Secure brake cable retainer clips (5) with a bolt (4) and nut (6).
 6. Install brake cable through the front spindle brackets and install E-clip (1).
 7. Install brake cable clevis onto brake lever arm and install clevis pin (3) and a new cotter pin (2).
 8. Adjust brakes as described in this section for the appropriate vehicle.

REAR BRAKE CABLES

Read **DANGER** and **WARNING** on page 6-1.

REAR BRAKE CABLE REMOVAL

1. Chock wheels to keep vehicle from unintentionally moving.
2. Release park brake if latched and loosen equalizer retaining nuts (1) on equalizer rod (2) to slightly loosen brake cables (3) (**Figure 6-38, Page 6-23**).
3. Rotate brake cables upward and pull ends through holes in top of equalizer.

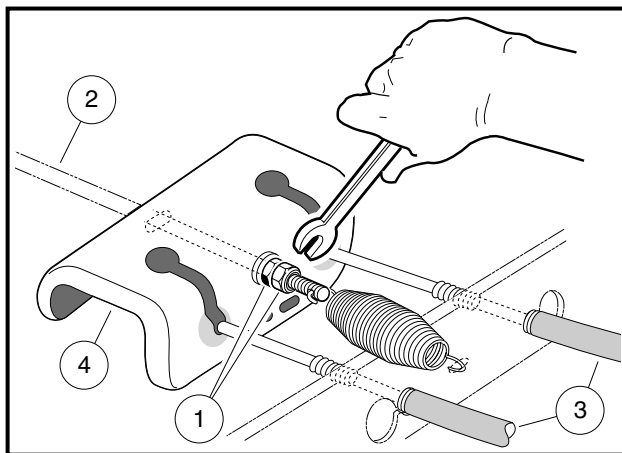


Figure 6-38 Loosen Equalizer Nut

4. Disconnect brake cables at rear wheels.
 - 4.1. Remove cotter pins (1), clevis pins (2), and E-clips (3) (**Figure 6-39, Page 6-24**).
 - 4.2. Remove cable (4) from cable support bracket (5).
 - 4.3. Note location of hangers (for installation of cables). Pull cables out of vehicle.

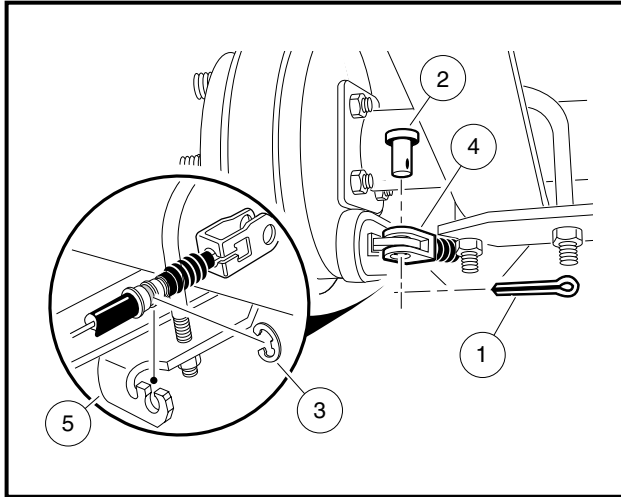


Figure 6-39 Disconnect Cables at Rear Brakes

REAR BRAKE CABLE INSTALLATION

1. Place the cable ends in the equalizer (4) (**Figure 6-38, Page 6-23**). Route cables through hangers in the same manner as the ones removed.
2. At the rear wheel brakes, connect the cables to the brake actuator arms using clevis pins (2) and new cotter pins (1) (**Figure 6-39, Page 6-24**).
3. Place cables in cable support bracket (5) and secure with E-clips.
4. Adjust brakes as described in this section for the appropriate vehicle.

SECTION 7 – STEERING AND FRONT SUSPENSION

⚠ DANGER

- **Battery – Explosive gases! Do not smoke. Keep sparks and flames away from the vehicle and service area. Ventilate when charging or operating vehicle in an enclosed area. Wear a full face shield and rubber gloves when working on or near batteries.**
- **Battery – Poison! Contains acid! Causes severe burns. Avoid contact with skin, eyes, or clothing. Antidotes:**
 - **External: Flush with water. Call a physician immediately.**
 - **Internal: Drink large quantities of milk or water. Follow with milk of magnesia or vegetable oil. Call a physician immediately.**
 - **Eyes: Flush with water for 15 minutes. Call a physician immediately.**
- **Gasoline – Flammable! Explosive! Do not smoke. Keep sparks and flames away from the vehicle and service area. Service only in a well-ventilated area.**
- **Do not operate gasoline vehicle in an enclosed area without proper ventilation. The engine produces carbon monoxide, which is an odorless, deadly poison.**

⚠ WARNING

- **Follow the procedures exactly as stated in this manual, and heed all DANGER, WARNING, and CAUTION statements in this manual as well as those on the vehicle and battery charger.**
- **Only trained technicians should service or repair the vehicle or battery charger. Anyone doing even simple repairs or service should have knowledge and experience in electrical and mechanical repair. The appropriate instructions must be used when performing maintenance, service, or accessory installation.**
- **Prior to servicing the vehicle or leaving the vehicle unattended, turn the key switch OFF, remove the key, and place the Forward/Reverse handle in the NEUTRAL position. Chock the wheels when servicing the vehicle.**

Gasoline vehicles only:

- **To avoid unintentionally starting the vehicle:**
 - **Disconnect battery cables, negative (-) cable first. See Figure 1-1, Section 1, Page 1-3.**
 - **Disconnect the spark plug wire from the spark plug.**
- **Frame ground – Do not allow tools or other metal objects to contact frame when disconnecting battery cables or other electrical wiring. Do not allow a positive wire to touch the vehicle frame, engine, or any other metal component.**

Electric vehicles only:

- **To avoid unintentionally starting the vehicle, disconnect the batteries as shown. See Figure 1-2, Section 1, Page 1-3.**
- **After disconnecting the batteries, discharge the controller capacitors as follows:**
 - **Turn key switch to ON and place the Forward/Reverse handle in REVERSE.**
 - **Slowly depress the accelerator pedal and keep it depressed until the reverse warning buzzer can no longer be heard. When the buzzer stops sounding, the controller capacitors are discharged.**

WARNING CONTINUED ON NEXT PAGE...

⚠ WARNING

All vehicles:

- Wear safety glasses or approved eye protection when servicing the vehicle or battery charger. Wear a full face shield and rubber gloves when working on or near batteries.
- Do not wear loose clothing or jewelry such as rings, watches, chains, etc., when servicing the vehicle or battery charger.
- Moving parts! Do not attempt to service the vehicle while it is running.
- Hot! Do not attempt to service hot engine, exhaust system, or motor. Failure to heed this warning could result in severe burns.
- Use insulated tools when working near batteries or electrical connections. Use extreme caution to avoid shorting of components or wiring.
- Check the vehicle owner's manual for proper location of all vehicle safety and operation decals and make sure they are in place and are easy to read.
- Any modification or change to the vehicle that affects the stability or handling of the vehicle, or increases maximum vehicle speed beyond factory specifications, could result in severe personal injury or death.
- Lift only one end of the vehicle at a time. Use a suitable lifting device (chain hoist or hydraulic floor jack) with 1000 lb. (454 kg) minimum lifting capacity. Do not use lifting device to hold vehicle in raised position. Use approved jack stands of proper weight capacity to support the vehicle and chock the wheels that remain on the floor. When not performing a test or service procedure that requires movement of the wheels, lock the brakes.
- If wires are removed or replaced, make sure wiring and wire harness are properly routed and secured. Failure to properly route and secure wiring could result in vehicle malfunction, property damage, personal injury, or death.
- For vehicles with cargo beds, remove all cargo before raising the bed or servicing the vehicle. If the vehicle is equipped with a prop rod, ensure that it is securely engaged while bed is raised. Do not close bed until all persons are clear of cargo bed area. Keep hands clear of all crush areas. Do not drop cargo bed; lower gently and keep entire body clear. Failure to heed this warning could result in severe personal injury or death.
- Improper use of the vehicle or failure to properly maintain it could result in decreased vehicle performance, severe personal injury, or death.
- Do not leave children unattended on vehicle.

GENERAL INFORMATION

Steering is controlled through a rack and pinion steering assembly that is connected by a steering column to a steering wheel. No manual adjustment to the rack and pinion gear assembly is required. A spring loaded self-adjusting mechanism is incorporated into the assembly.

STEERING WHEEL

Read **DANGER** and **WARNING** on page 7-1.

STEERING WHEEL REMOVAL

1. Disconnect battery cables as instructed. See **WARNING** on page 7-1.
2. Remove the two mounting screws (30) and plate (28) (**Figure 7-4, Page 7-5**).

3. Match mark the steering wheel (25) and steering column shaft (19) so when the steering wheel is removed it can be placed back in exactly the same position on steering column shaft (**Figure 7-4, Page 7-5**).
4. Loosen the steering wheel nut (27) and back it off approximately 1/4 inch (6 mm). Do not remove the nut (**Figure 7-4, Page 7-5**).
5. Use the steering wheel puller (CCI P/N 102061201) to remove steering wheel.
 - 5.1. Place the puller anvil (4) through the top opening of the steering wheel (**Figure 7-1, Page 7-3**).
 - 5.2. Insert the anvil feet through the two slots in the base plate (marked "B") (5) as shown (**Figure 7-1, Page 7-3**).
 - 5.3. Rotate the anvil screw (6) clockwise until the base plate contacts the bottom of the steering wheel where it attaches to the steering column (**Figure 7-2, Page 7-3**).
 - 5.4. Using a 1/2-inch drive air impact wrench, tighten the anvil screw (6) until the steering wheel breaks free from the steering shaft.
 - 5.5. Remove the steering wheel puller.
 - 5.6. Remove the steering wheel nut (27) and the steering wheel (25) from the steering column (20) (**Figure 7-4, Page 7-5**).

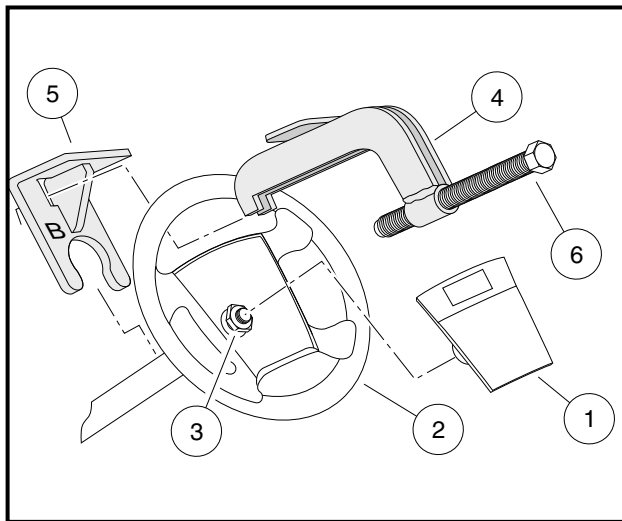


Figure 7-1 Steering Wheel Puller

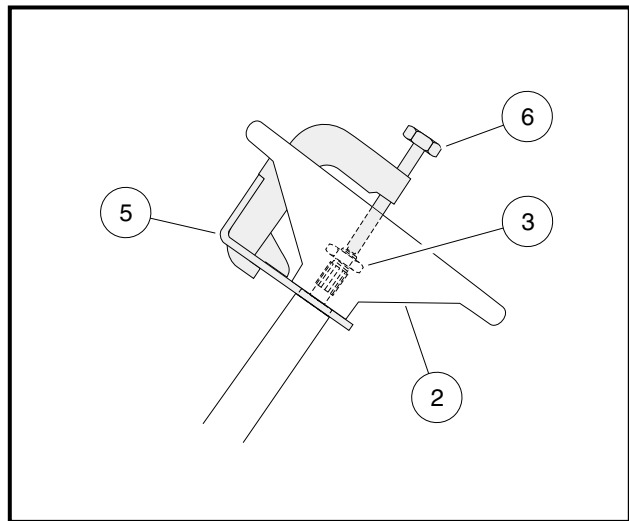


Figure 7-2 Steering Wheel Puller

STEERING WHEEL INSTALLATION

NOTE: To minimize corrosion and to make future removal of the steering wheel easier, apply a small amount of oil or anti-seize compound to steering shaft splines and taper before installing the steering wheel.

1. Install the steering wheel (25) on the splines of the steering shaft (19). Be sure to align the match marks placed on the wheel and steering column in step 3 above (**Figure 7-4, Page 7-5**).
2. Install the steering wheel nut (27) and tighten to 13 ft-lb (17.6 N·m).
3. Install the steering wheel plate (28) and plate mounting screws (30) (**Figure 7-4, Page 7-5**). Tighten screws to 16 in-lb (1.8 N·m).

STEERING COLUMN

Read **DANGER** and **WARNING** on page 7-1.

STEERING COLUMN REMOVAL

1. Remove the steering wheel as previously instructed.
2. Remove the front body. See **Front Body Removal, Section 4, Page 4-5**.

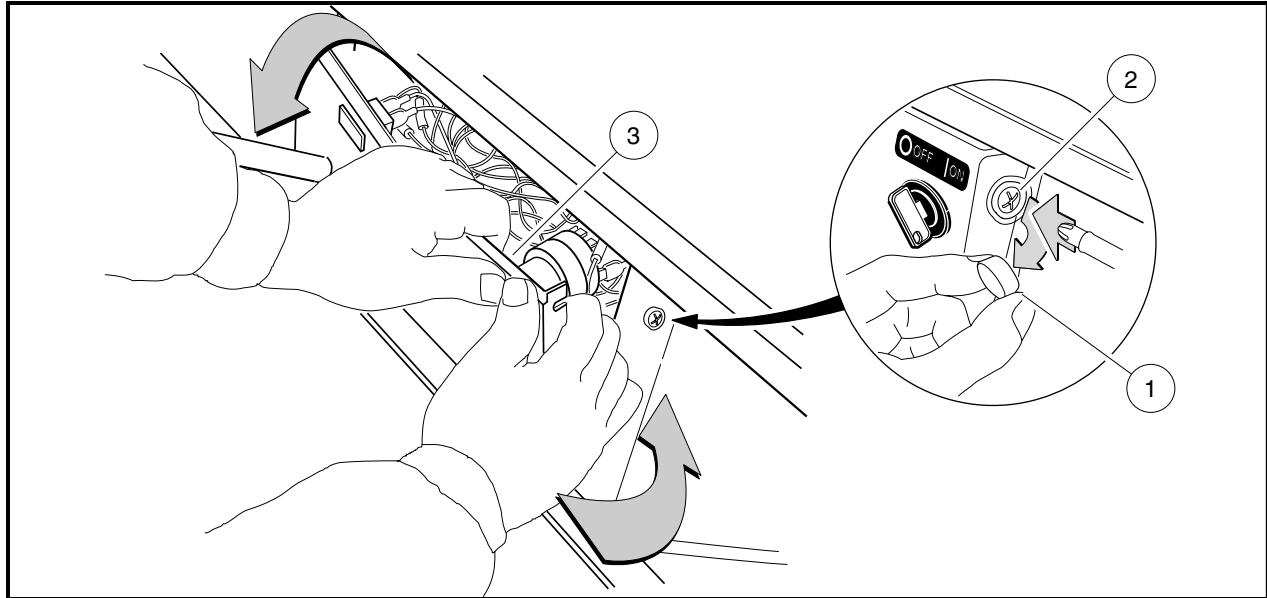


Figure 7-3 Dash Removal

3. Remove the center dash panel (**Figure 7-3, Page 7-4**).
 - 3.1. Remove the plastic cap (1) covering the mounting screw (2) on each side of the center dash panel (3) (**Figure 7-3, Page 7-4**).
 - 3.2. Loosen, but do not remove, the screw (2) on each side of the center dash panel (3).
 - 3.3. Insert screwdriver at the top center of the dash between dash and cowl brace. Gently pry center dash out slightly from under edge of cowl brace.
 - 3.4. Pull center dash out approximately 1 inch (2.5 cm) from the frame and then bend the top right corner of the center dash panel inward while pulling the top of the panel out and down.

NOTE: *Bending the top right corner of the center dash inward during removal will prevent the contacts on the back of the key switch from touching the metal frame around the dash.*
 - 3.5. Disconnect the wires from the electrical components mounted on the dash panel. Do not allow wires to touch.
 - 3.6. Slide center dash panel up the steering column.
4. Remove the driver-side dash pocket.
 - 4.1. Remove the flange lock screw from the top of the dash pocket.
 - 4.2. Drill out the two pop rivets holding the dash pocket in place.
 - 4.3. Slide dash pocket out of vehicle.

5. Remove the upper bolt (2) and lock washer (3) from the universal joint (**Figure 7-4, Page 7-5**).
6. Remove the nuts (9), bolts (8 and 10), and washers (7 and 11) from the steering column mount (4 and 5) (**Figure 7-4, Page 7-5**).
7. Remove the steering column from the vehicle.

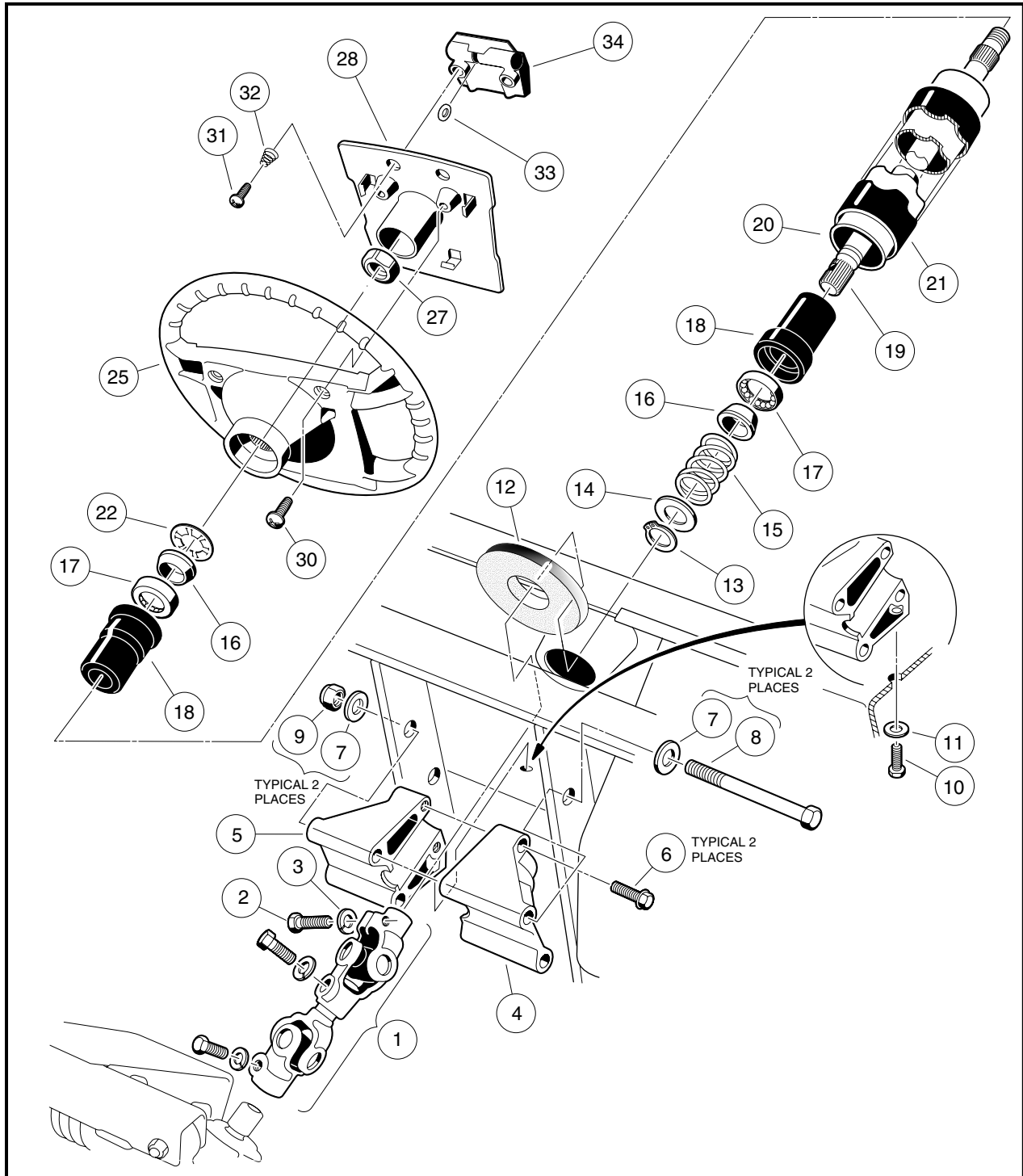


Figure 7-4 Steering Column

STEERING COLUMN DISASSEMBLY

1. Remove bolts (6) and mounts (4 and 5) from steering column. Remove boot (12) (**Figure 7-4, Page 7-5**).
2. While supporting steering column (20) on a workbench, remove snap ring (13) from shaft.

NOTE: Do not allow the steering shaft to slide out of the steering tube when removing the snap ring.

3. Remove the washer (14), spring (15), and wedge (16).
4. Turn the steering column over and slide the shaft out of the tube to expose the retaining ring (22). Use pliers to twist the retaining ring (22) until it breaks off, then remove the wedge (16).
5. Remove the shaft (19) from the bottom of the tube (20).
6. Use steering shaft (19) to push bearing seat (18) out from the opposite end of the steering tube (20).
7. Insert a flat blade screwdriver between the bottom of the outer race of the bearing (17) and the bottom lip of the bearing seat (18) and remove the bearing (17).

NOTE: Use new retaining rings and bearings for reassembly.

STEERING COLUMN ASSEMBLY

1. Insert bearing seat (18) into both ends of steering tube (20). Place a block of wood on bearing seat and tap lightly on block until bearing seat (18) is fully seated in steering tube (20) (**Figure 7-5, Page 7-7**).
2. Press the bearing (17) all the way into the bearing seat (18) using a steering column bearing press tool (CCI P/N 1014264) or a metal tube approximately six inches (15.2 cm) long with a maximum outer diameter of 1-3/16 inches (3.3 cm) and a minimum inside diameter of 7/8 inch (2.2 cm). Be sure the bearing is installed in the bearing seat as shown (**Figure 7-5, Page 7-7**) so the wedge (16) will ride against the inner race of the bearing.
3. Install the wedge (16), spring (15), washer (14), and snap ring (13) onto the bottom end of the steering shaft (19) (**Figure 7-5, Page 7-7**).
4. Insert the shaft (19) from the bottom of the steering tube (20) (**Figure 7-4, Page 7-5**).
5. Turn the assembly over and place the shaft (19) on a bench. Install the wedge (16) and retaining ring (22) onto the top of the shaft. Be sure the prongs on the retaining ring face up and away from the wedge. Use a steering column retaining ring tool (CCI P/N 1014259) to seat the retaining ring to the proper depth. Support end of tube while pressing. If you do not have the recommended tool, use the same tube as was used in step 2 to press the retaining ring onto the top of the shaft. The retaining ring should be pressed onto the shaft until 2 to 2-1/8 inches (5.1-5.4 cm) of the shaft extends from the top of the bearing seat in the steering tube (**Figure 7-6, Page 7-7**).

STEERING COLUMN INSTALLATION

1. Install boot (12). Reinstall mount (4 and 5) onto the end of the steering column. Tighten bolts (6) to 20 ft-lb (27 N·m) (**Figure 7-4, Page 7-5**).

- For ease of assembly and to prevent corrosion, apply a light coat of anti-seize or lubricating compound to both splined ends of the steering shaft.

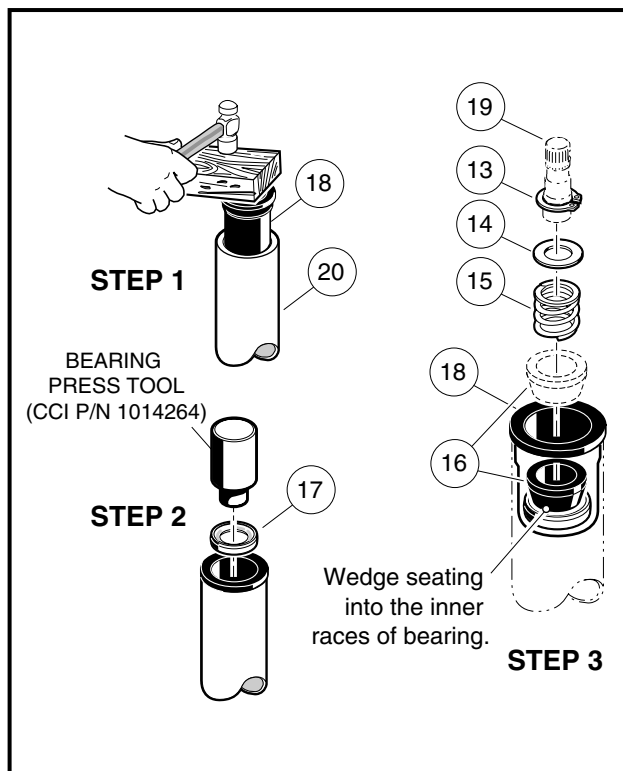


Figure 7-5 Steering Shaft – Bottom End

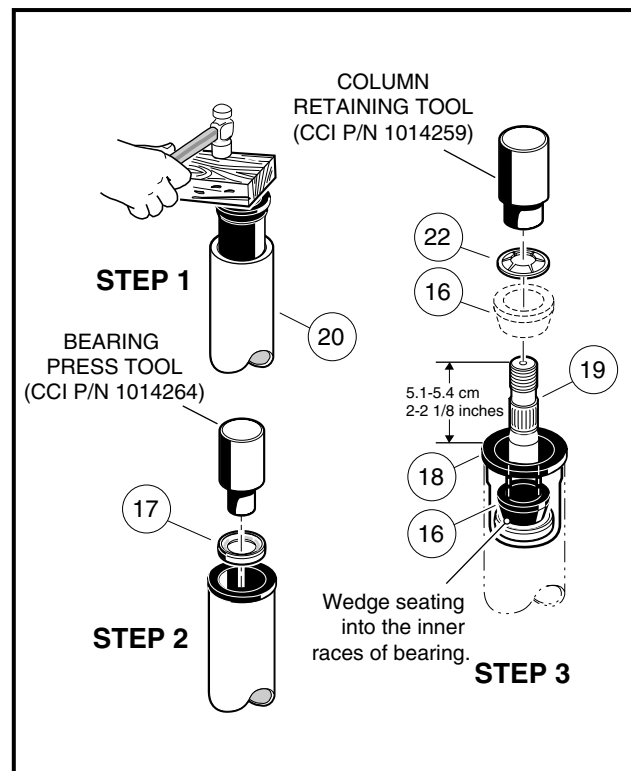


Figure 7-6 Steering Shaft – Top End

- Position the steering column assembly in the vehicle while inserting the steering column shaft into the upper universal joint (1). The flat portion of the steering shaft spline (19) must be aligned with the bolt hole in the universal joint (1) before sliding the spline into the universal joint. While holding the steering column in place, attach it to the frame using bolts (8), washers (7), and nuts (9) (**Figure 7-4, Page 7-5**). Thread the nuts onto the bolts but do not tighten them.
- Install washer (11) and screw (10). Tighten to 20 ft-lb (27 N·m) (**Figure 7-4, Page 7-5**).
- Install the bolt (2) and lock washer (3) on the upper universal joint and finger-tighten.
- Tighten the two nuts (9) and bolts (8) to 18 ft-lb (24.4 N·m) (**Figure 7-4, Page 7-5**).
- Tighten the bolt (2) on the upper universal joint to 15 ft-lb (20 N·m) (**Figure 7-4, Page 7-5**).
- Check the other two bolts of the universal joint (1) to ensure that they are properly tightened to 15 ft-lb (20 N·m) (**Figure 7-4, Page 7-5**).
- Reinstall dash pocket and related hardware.
- Reinstall center dash panel in reverse order of disassembly. Make sure the key switch terminals do not touch the frame and the center dash panel is properly seated and snapped into place.
- Install front body and bumper. **See Front Body Installation, Section 4, Page 4-5.**

STEERING ADJUSTMENT

Read **DANGER** and **WARNING** on page 7-1.

1. Turn the steering wheel all the way to the right. Note the distance between the passenger side spindle stop (2) and passenger side A-plate (3) (**Figure 7-7, Page 7-9**). The internal stop on the rack must reach its limit of travel against rack and pinion housing at exactly the same time the spindle stops against the passenger side A-plate (with vehicle wheels turned to the right). If simultaneous contact occurs, steering is in correct adjustment; proceed to step 4. If simultaneous contact does not occur, proceed to step 2.
2. Loosen the nuts (27 and 29) and turn the drag link (28) (**Figure 7-12, Page 7-11**) to adjust the drag link rod. Adjust the link rod with the steering wheel turned all the way to the right, so the passenger side spindle stop lightly touches the passenger side A-plate. The internal stop on the rack must reach its limit of travel at the same time the spindle stops against the passenger side A-plate (with vehicle wheels turned to the right).

CAUTION

- The drag link has both left and right-hand threads. The end of the drag link toward the spindle has left-hand threads, and the end toward the rack has right-hand threads. To prevent damage to threaded parts, care should be taken when servicing the drag link.

3. When all adjustments have been completed, tighten the nuts (27 and 29) on the drag link assembly with an open end wrench. Tighten nuts to 21 ft-lb (28.4 N·m) (**Figure 7-12, Page 7-11**).

CAUTION

- When tightening the nuts (27 and 29), make sure the drag link (28) does not turn (**Figure 7-12, Page 7-11**).
4. Straighten wheels and then turn steering wheel from lock to lock. Wheels should turn smoothly and easily. If steering wheel does not turn smoothly and easily, inspect steering assemblies; e.g., ball joints (23) (**Figure 7-12, Page 7-11**) and (6 and 13) (**Figure 7-20, Page 7-18 or Figure 7-22, Page 7-20**), spindle bushings (3 and 4) (**Figure 7-21, Page 7-19 or Figure 7-23, Page 7-21**), wave washers (20) (**Figure 7-21, Page 7-19 or Figure 7-23, Page 7-21**), and rack assembly (17) (**Figure 7-12, Page 7-11**). Also inspect front suspension assemblies; e.g., A-plates (1) (**Figure 7-20, Page 7-18 or Figure 7-22, Page 7-20**) urethane bushings (2) (**Figure 7-20, Page 7-18 or Figure 7-22, Page 7-20**) and leaf springs (6) (**Figure 7-21, Page 7-19 or Figure 7-23, Page 7-21**). Replace components as necessary.

RACK AND PINION

Read **DANGER** and **WARNING** on page 7-1.

RACK AND PINION REMOVAL

1. Remove the front body. **See Section 4 – Body and Trim.**
2. Remove the cotter pin (22) and ball joint retaining nut (25) (**Figure 7-12, Page 7-11**).
3. Using a ball joint removal tool, remove the ball joint (23) (**Figure 7-12, Page 7-11**) from the spindle assembly. **See Figure 7-8, Page 7-9.**

4. Remove the bolts (30), washers (31), and lock nuts (32) from the steering rack assembly mounting bracket (**Figure 7-12, Page 7-11**).
5. Remove the bolt (2) and flat washer (3) on the upper universal joint, then remove the rack assembly and universal joint from the vehicle (**Figure 7-4, Page 7-5**).

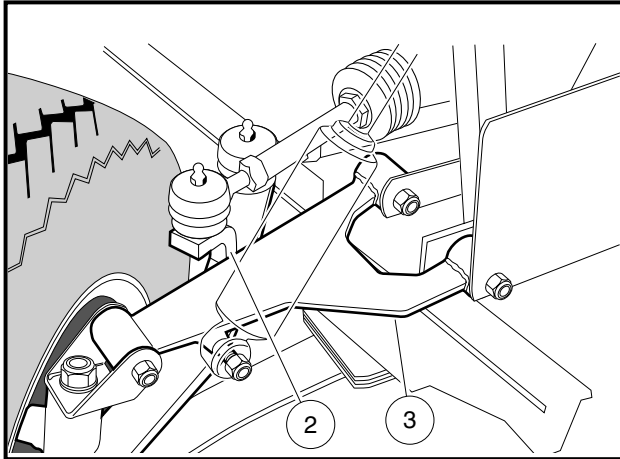


Figure 7-7 Adjust Steering Alignment

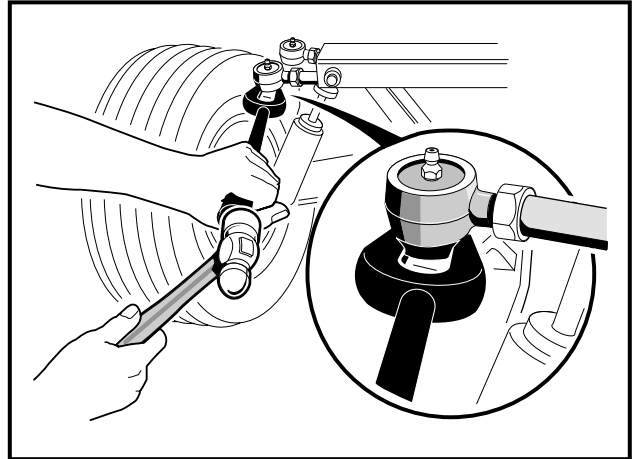


Figure 7-8 Ball Joint Tool

RACK AND PINION DISASSEMBLY

⚠ CAUTION

- The ball joint (23) (**Figure 7-12, Page 7-11**) has left-hand threads.

1. Remove ball joint from the spindle and inspect it for excessive wear (**Figure 7-8, Page 7-9**).
2. Remove the drag link (28) (**Figure 7-12, Page 7-11**).
3. Remove both bellows clamps (2) (plastic wire ties).
4. Remove the hex nut (29) and slide off the dust seal bellows (1).
5. Remove the retaining ring (21), then slide off dust seal bellows (20).

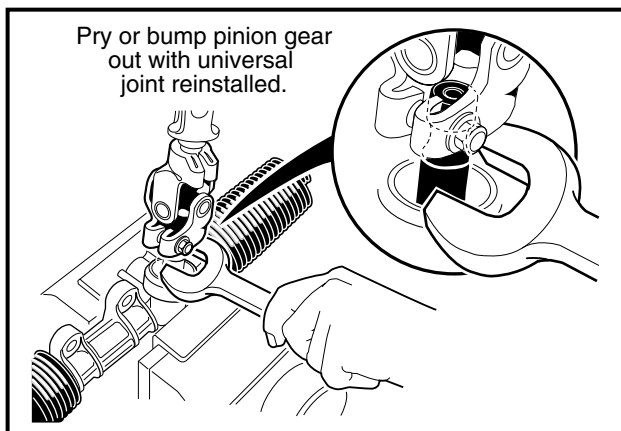


Figure 7-9 Remove Pinion from Housing

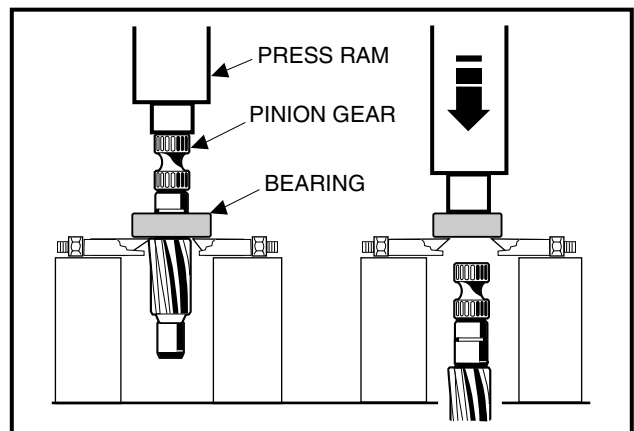
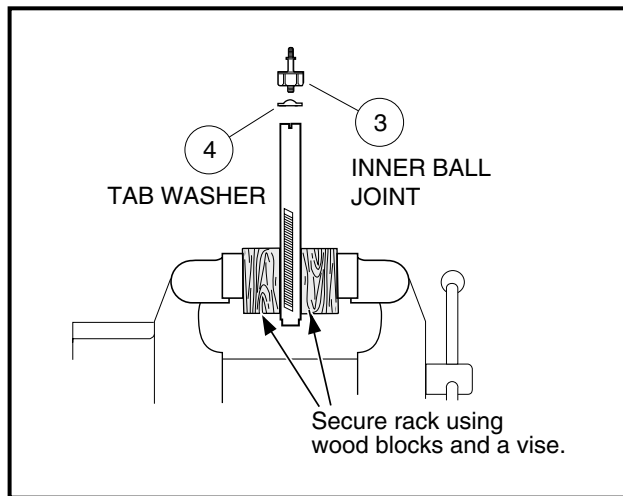


Figure 7-10 Remove Bearing from Pinion

Rack and Pinion Disassembly, Continued:**Figure 7-11 Secure Rack in Vise**

6. Remove the rack screw lock nut (15), rack guide screw (16), rack guide pressure spring (14), and the rack guide (13) (**Figure 7-12, Page 7-11**).
7. Remove the universal joint assembly from the pinion (8) by fully removing the bolt and then sliding off the universal joint.
8. If necessary, remove the dust seal (12). **See following NOTE.**

NOTE: If the dust seal (12) is removed, replace with a new one.

9. Using snap ring pliers, remove the internal snap ring (11) (**Figure 7-12, Page 7-11**).
10. Install the universal joint onto the pinion and place a large open end wrench under the universal joint (**Figure 7-9, Page 7-9**). Use the wrench as a lever to pull the pinion from the housing.
11. If the ball bearing (9) has been damaged, remove the external snap ring (10) (**Figure 7-12, Page 7-11**) and press the bearing off (**Figure 7-10, Page 7-9**).
12. Remove retaining ring (19) and stop washer (18), then remove rack (17) from housing (6) (**Figure 7-12, Page 7-11**).
13. If the inner ball joint (3) is excessively worn, remove the ball joint and tab washer (4) from the rack by securing the rack in a vise (**Figure 7-11, Page 7-10**). Using wood blocks between the rack and the jaws of the vise to protect the rack from damage, loosen and remove the inner ball joint with a wrench.
14. Inspect the bushing (5) for excessive wear. If wear is excessive, replace the steering box assembly (CCI P/N 101878302) (**Figure 7-12, Page 7-11**).

RACK AND PINION ASSEMBLY

1. Install a new tab washer (4) and an inner ball joint (3) (**Figure 7-11, Page 7-10**). Install the ball joint onto the rack by securing the rack in a vise using wood blocks between the rack and the jaws of the vise to protect the rack from damage. Tighten the ball joint to 60 ft-lb (81 N·m).
2. Bend the edges of the tab washer (4) up against the ball joint (3) (**Figure 7-11, Page 7-10**).

3. Apply a light coating of EP grease to the teeth of the rack (17), then slide the rack through the bushing (5) and housing (6). Install the stop washer (18) and retaining ring (19) to the end of the rack (Figure 7-12, Page 7-11).

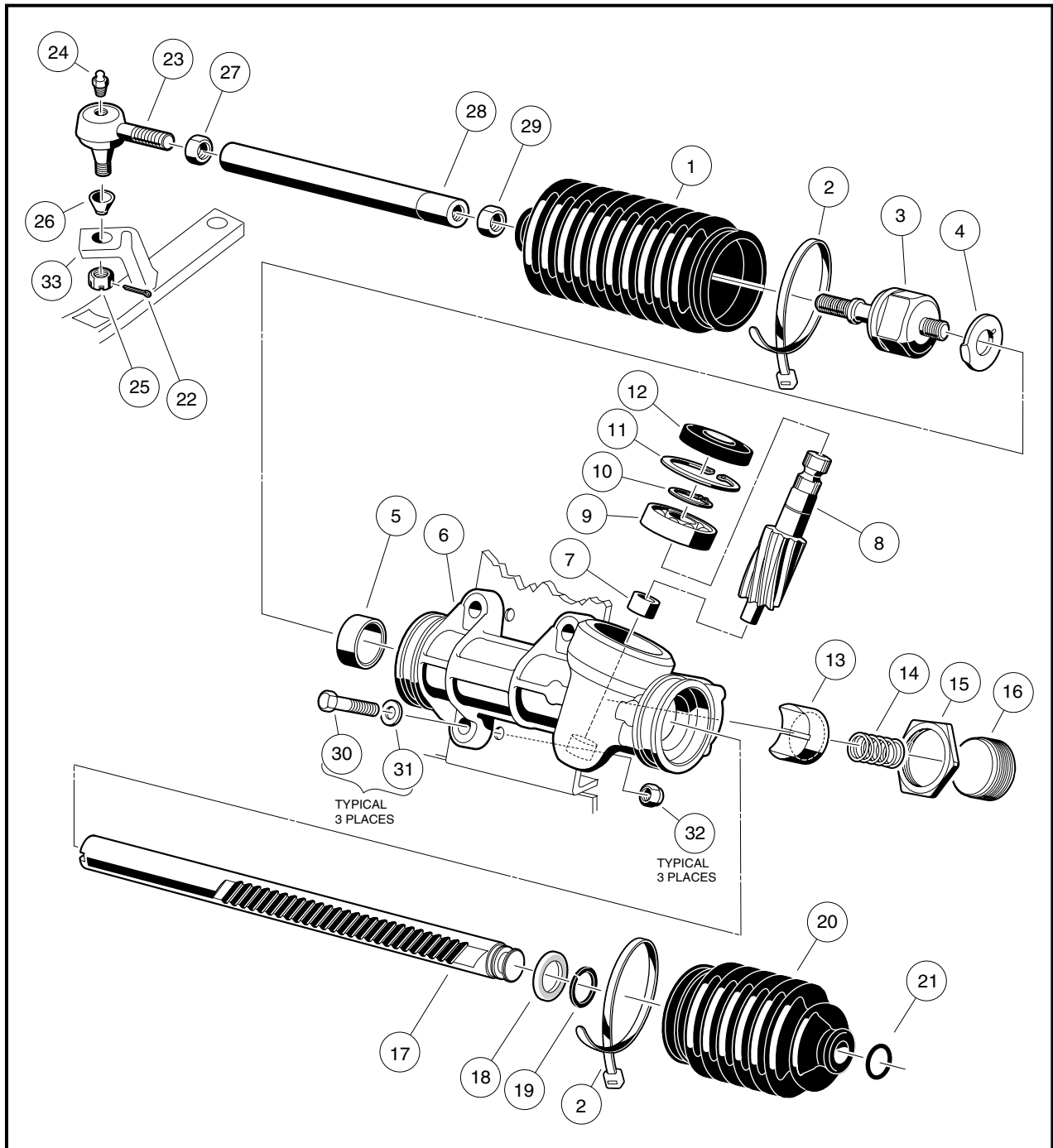


Figure 7-12 Steering Gear

▲ CAUTION

- In step 4, do not press against the outer race of the bearing.

Rack and Pinion Assembly, Continued:

4. If the bearing (9) was removed, press on a new bearing, exerting all pressure on the inner race (grease the bearing before installing it). Then install the external snap ring (10) (**Figure 7-12, Page 7-11**).
5. If the needle bearing (7) is damaged, the steering box assembly (CCI P/N 101878302) must be replaced (**Figure 7-12, Page 7-11**).
6. Install pinion (8) and bearing (9) assembly into the housing (6) (**Figure 7-12, Page 7-11**). Make sure the rack gear teeth will mesh with the gear teeth on the pinion. The rack may need to be rotated slightly while lightly tapping on the pinion-bearing assembly with a rubber mallet. **See following CAUTION.**

⚠ CAUTION

- Do not force the pinion-bearing assembly into the housing. The gear teeth or the small bearing could be damaged.

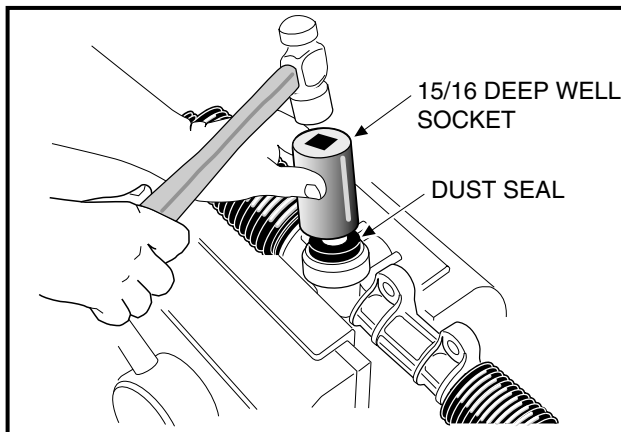


Figure 7-13 Press In Dust Seal

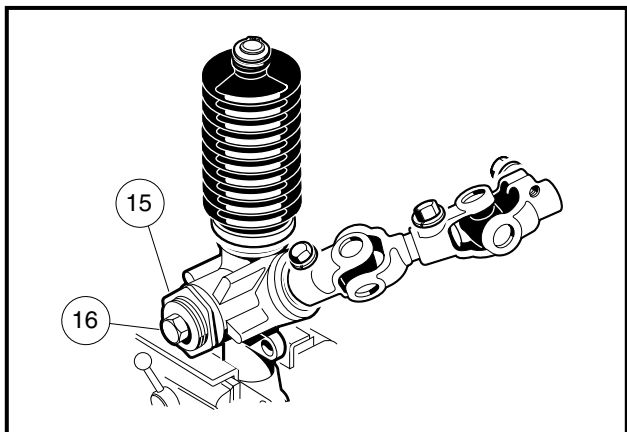


Figure 7-14 Rack and Pinion Adjustment

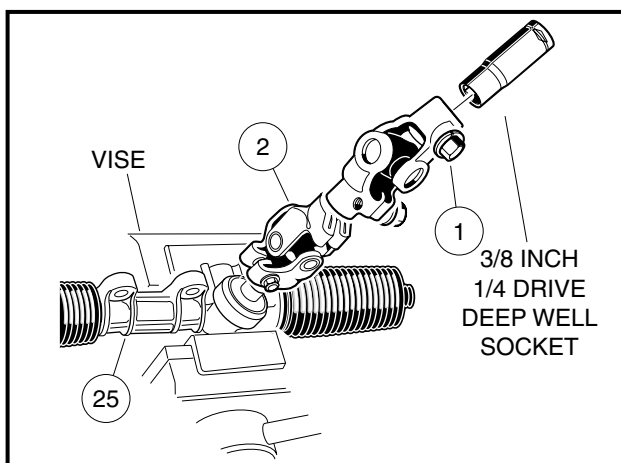


Figure 7-15 Rack and Pinion Resistance

7. Install the internal snap ring (11) (**Figure 7-12, Page 7-11**).
8. Using a socket to apply pressure evenly, press in a new dust seal (**Figure 7-13, Page 7-12**).

9. Apply a small amount of grease to the rack guide (13) where it comes into contact with the rack (17) **(Figure 7-12, Page 7-11)**.
10. Place a few drops of Loctite® 222 to the threads of the screw (16) **(Figure 7-12, Page 7-11)**.
11. Install the rack guide (13), pressure spring (14), and screw (16). The screw should be threaded in until a rotational torque of 10 in-lb (1.13 N·m) is achieved **(Figure 7-12, Page 7-11)**.
 - 11.1. Reposition the rack and pinion in a vise.
 - 11.2. Insert a 3/8 inch deep well socket into the steering column end of the universal joint (2) and tighten the bolt (1) to 15 ft-lb (20.3 N·m) **(Figure 7-15, Page 7-12)**.
 - 11.3. Use a torque wrench connected to the 3/8 inch deep well socket to measure the resistance of the rack and pinion. Rotational resistance should measure 7 to 15 in-lb (0.8 to 1.7 N·m).
 - 11.4. If measured resistance does not equal 7 to 15 in-lb, loosen the lock nut (15) and tighten the screw (16) until it bottoms out, then back the screw off one quarter turn. Tighten the lock nut to 28 ft-lb (38 N·m) **(Figure 7-14, Page 7-12)**.

NOTE: When tightening the lock nut (15) make sure the screw (16) does not change adjustment **(Figure 7-14, Page 7-12)**.

12. Install the dust seal bellows (20) and retaining ring (21) **(Figure 7-12, Page 7-11)**.
13. Install the dust seal bellows (1) and hex nut (29) **(Figure 7-12, Page 7-11)**.
14. Install the universal joint on the pinion. Tighten the bolt to 15 ft-lb (20 N·m).
15. Install new bellows clamps (wire ties) (2) **(Figure 7-12, Page 7-11)**.
16. Install the drag link (28) by fully threading the ground end into the inner ball joint (3).

▲ CAUTION

- The ball joint (23) **(Figure 7-12, Page 7-11)** has left-hand threads.
- The tie rod and drag link have right-hand threads on one end and left-hand threads on the other end. Right-hand threads are identified by a groove in the tie rod or drag link.

17. Install the ball joint (23) **(Figure 7-12, Page 7-11)**.

RACK AND PINION INSTALLATION

1. Position the steering gear box assembly on the shock and gear support and install the bolts (30), washers (31), and nuts (32). Do not tighten the mounting bolts **(Figure 7-12, Page 7-11)**.
2. For ease of assembly and to prevent corrosion, apply a light coat of anti-seize and lubricating compound to the splined end of the steering column shaft.
3. Align the flat portion of the steering shaft spline with the bolt hole in the universal joint and then slide the shaft into the upper universal joint. Install the bolt and lock washer on the upper universal joint and tighten it to 15 ft-lb (20 N·m).
4. Tighten the steering rack mounting bolts (30) to 22 ft-lb (29.8 N·m) **(Figure 7-12, Page 7-11)**.
5. Adjust the steering. **See Steering Adjustment on page 7-8.**

TIE ROD AND DRAG LINK

Read **DANGER** and **WARNING** on page 7-1.

TIE ROD AND DRAG LINK REMOVAL

1. Using locking pliers to hold tie rod and drag link, loosen jam nuts (7 and 12) on tie rod ball joints (**Figure 7-20, Page 7-18 or Figure 7-22, Page 7-20**) and loosen jam nuts (27 and 29) on the drag link (**Figure 7-12, Page 7-11**).
2. Remove the cotter pins (22) and ball joint retaining nuts (20) (**Figure 7-20, Page 7-18 or Figure 7-22, Page 7-20**).
3. Use a ball joint removal tool to remove ball joints (13 and 6) (**Figure 7-20, Page 7-18 or Figure 7-22, Page 7-20**) and (23) (**Figure 7-12, Page 7-11**) from the spindles.
4. Remove the ball joints from the tie rod (11) (**Figure 7-20, Page 7-18 or Figure 7-22, Page 7-20**).
5. Remove drag link (28) from inner ball joint assembly (3) and drag link ball joint (23) (**Figure 7-12, Page 7-11**).

TIE ROD AND DRAG LINK INSTALLATION

1. Thread ball joints (6 and 13) into tie rod (11) to a depth of 1/2-inch (12.5 mm) (**Figure 7-20, Page 7-18 or Figure 7-22, Page 7-20**).

⚠ WARNING

- The ball joints must be threaded into the rod at least 5/16 of an inch (8 mm). Failure to thread ball joints in deep enough may cause a ball joint to separate from the rod during adjustment or while being operated, possibly resulting in loss of vehicle control and severe personal injury.

⚠ CAUTION

- The tie rod and drag link have right-hand threads on one end and left-hand threads on the other end. Right-hand threads are identified by a groove in the tie rod or drag link.
2. Install ball joint ends (6 and 13) into the left and right-hand spindle arms (23), then install the retaining nuts (20) and cotter pins (22) (**Figure 7-20, Page 7-18 or Figure 7-22, Page 7-20**).
 3. Thread the drag link rod (28) all the way onto the threaded stud of the inner ball joint assembly (3) (right-hand threads) (**Figure 7-12, Page 7-11**).
 4. Thread the ball joint (23) into the drag link rod (28) (left-hand threads) to full thread depth (**Figure 7-12, Page 7-11**).
 5. Install the ball joint (23) on the spindle arm riser (33), then install the retaining nut and a new cotter pin (**Figure 7-12, Page 7-11**). Tighten nut to 18 ft-lb (2.0 N·m).
 6. Adjust camber and toe-in. See **Camber Adjustment** on page 7-15 and **Toe-in Adjustment** on page 7-16.
 7. Adjust steering. See **Steering Adjustment** on page 7-8.

FRONT SUSPENSION

Read **DANGER** and **WARNING** on page 7-1.

LUBRICATION

Five grease fittings are provided (one in each spindle housing, one in the ball joint on each end of the tie rod, and one in the ball joint of the steering drag link). Lubricate these fittings at the recommended interval with the proper lubricant. **See the Periodic Lubrication Schedule in vehicle owner's manual.**

▲ CAUTION

- To ensure proper lubrication of the front suspension and steering linkages, raise front of vehicle to lubricate. See **WARNING** on page 7-2.

WHEEL ALIGNMENT

Wheel alignment is limited to equalizing the camber angle of each front wheel and adjusting toe-in of the front wheels. There is also a drag link adjustment to equalize the turning radius in both directions. **See Steering Adjustment on page 7-8.**

NOTE: Prior to making any front suspension adjustments, inspect components for wear and damage and repair or replace as necessary.

Camber Adjustment

1. Check each front wheel with a framing square. At the floor (or ground), there should be an equal amount of space between each tire and the framing square (**Figure 7-16, Page 7-15**).
2. Loosen, but do not remove, the four bolts (30) that secure the leaf spring (6) to the bottom spring plate (29) (**Figure 7-21, Page 7-19 or Figure 7-23, Page 7-21**). See also **Figure 7-17, Page 7-15**.

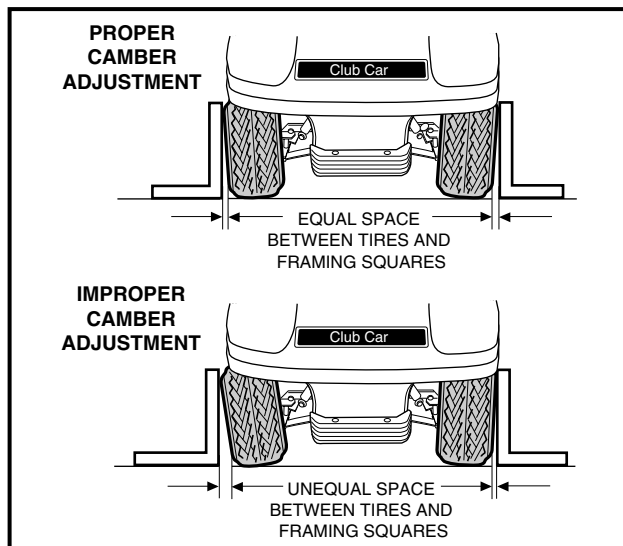


Figure 7-16 Check Camber

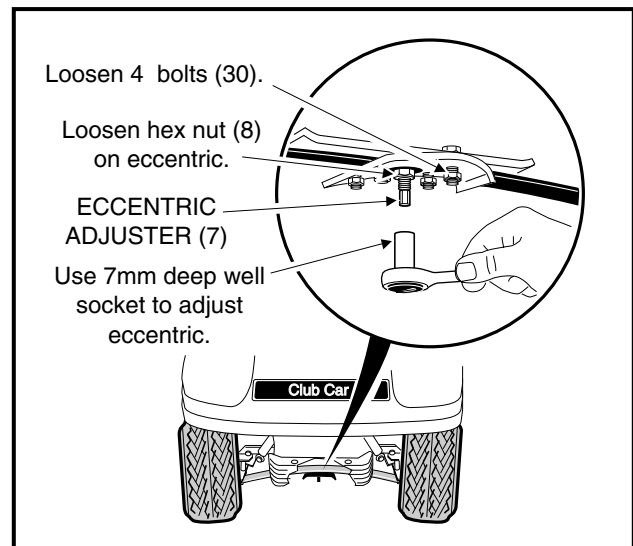


Figure 7-17 Adjust Camber

Camber Adjustment, Continued:

- Loosen, but do not remove, the hex nut (8) on the adjustment eccentric (7) (**Figure 7-21, Page 7-19 or Figure 7-23, Page 7-21**) in the center of the spring. **See also Figure 7-17, Page 7-15.**
- Use a 7 mm deep well socket to rotate the eccentric (**Figure 7-17, Page 7-15**).
- After adjusting camber, tighten the four spring retaining bolts (30) (**Figure 7-21, Page 7-19 or Figure 7-23, Page 7-21**) to 23 ft-lb (31 N·m). Then roll the vehicle forward one full tire revolution and recheck the camber. **See also Figure 7-16, Page 7-15.**
- Tighten the hex nut (8) on the adjustment eccentric (7) to 10 ft-lb (13.5 N·m) (**Figure 7-21, Page 7-19 or Figure 7-23, Page 7-21**). **See also Figure 7-17, Page 7-15.**

Toe-in Adjustment

- On a level surface, roll the vehicle forward, then stop. Make sure the front wheels are pointed straight ahead. Do not turn the steering wheel again during this procedure.
- On each front tire, mark (as closely as possible) the center of the tread face that is oriented toward the rear of the vehicle. The marks should be even with the bottom surfaces of the vehicle frame I-beams.
- Measure the distance between the marks on the rear-facing surfaces of the tires, and then roll the vehicle **forward** one and one-half wheel revolutions until the marks appear on the forward facing surfaces of the tires at about the same height from the floor (**Figure 7-18, Page 7-16**).

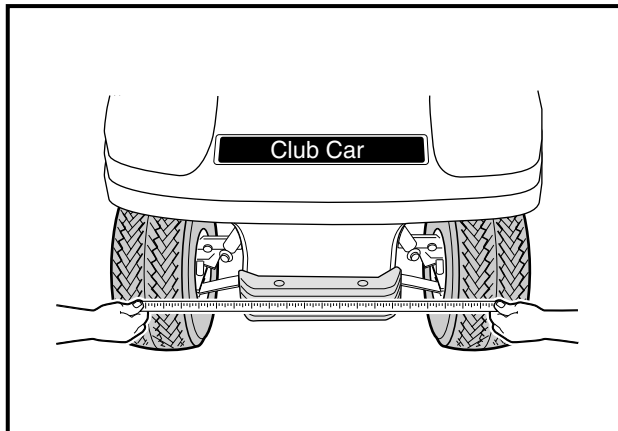


Figure 7-18 Check Toe-In

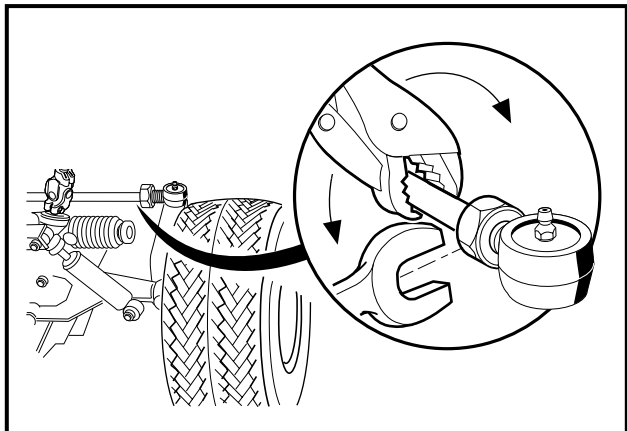


Figure 7-19 Adjust Toe-In

- Measure the distance between the marks on the forward-facing surfaces of the tires.

NOTE: *The front measurement must be less than the rear measurement.*

- Subtract the measurement on the front of the tires from the measurement on the rear of the tires. The difference is the toe-in. Proper toe-in is 1/8 to 3/8 of an inch (3.2 to 9.5 mm).
- If adjustment is necessary, loosen the jam nut on each tie rod ball joint and rotate the tie rod to increase or decrease toe-in (**Figure 7-19, Page 7-16**). **See following CAUTION.**

⚠ CAUTION

- The tie rod has right-hand threads on one end and left-hand threads on the other end. Right-hand threads are identified by a groove in the tie rod.

7. Tighten nuts (loosened in step 6) to 21 ft-lb (28 N·m) and recheck toe-in.
8. After toe-in adjustment is made and with wheels in the straight ahead position, the steering wheel should be at the center of its travel. There should be equal travel to the left and right. **See following NOTE.**

NOTE: If the minimum turning radius is not the same for both left and right turns, adjust the steering. **See Steering Adjustment on page 7-8.**

FRONT SUSPENSION COMPONENTS

Read **DANGER** and **WARNING** on page 7-1.

LEAF SPRING REMOVAL

1. Loosen lug nuts on both front wheels and raise front of vehicle with a chain hoist or floor jack. Place jack stands under the front cross tube of the vehicle frame and lower the vehicle onto the jack stands.
2. Remove both front wheels.
3. Remove the nuts (14) and bolts (25) from the bottom of each king pin (26) (**Figure 7-21, Page 7-19 or Figure 7-23, Page 7-21**).
4. Remove the four bolts (30), four nuts (32), four lock washers (31), and bottom spring plate (29).
5. Remove tapered leaf spring (6).
6. Check the condition of the urethane bushings (27) and steel sleeves (28). Replace any that are worn or damaged.

LEAF SPRING INSTALLATION

1. Install urethane bushings (27) and steel sleeves (28) into leaf spring eyes (**Figure 7-21, Page 7-19 or Figure 7-23, Page 7-21**).
2. Install tapered leaf spring (6), bottom spring plate (29), four bolts (30), four lock washers (31), and four nuts (32). Using a crisscross pattern sequence, tighten bolts to 23 ft-lb (31 N·m).
3. Install spring in king pins (26) with bolts (25) and nuts (14). Tighten to 23 ft-lb (31 N·m).
4. Install the wheels and finger-tighten the lug nuts.
5. Lower the vehicle and finish tightening lug nuts (using a crisscross pattern) to 55 ft-lb (74.6 N·m).
6. Adjust camber and toe-in. **See Camber Adjustment on page 7-15 and Toe-in Adjustment on page 7-16.**

KINGPIN AND STEERING SPINDLE REMOVAL

1. Remove the front hub. **See Front Wheel Bearings and Hubs on page 7-24.**
 - **For vehicles with four-wheel brakes, proceed to step 2.**
 - **For vehicles with two-wheel brakes, proceed to step 3.**
2. Disconnect the front brake cables.
 - 2.1. Remove the cotter pins (1), brake cable clevis pins (2), and cable retaining clips (3). Remove the brake cables (4) from the spindle brackets (**Figure 7-24, Page 7-22**).

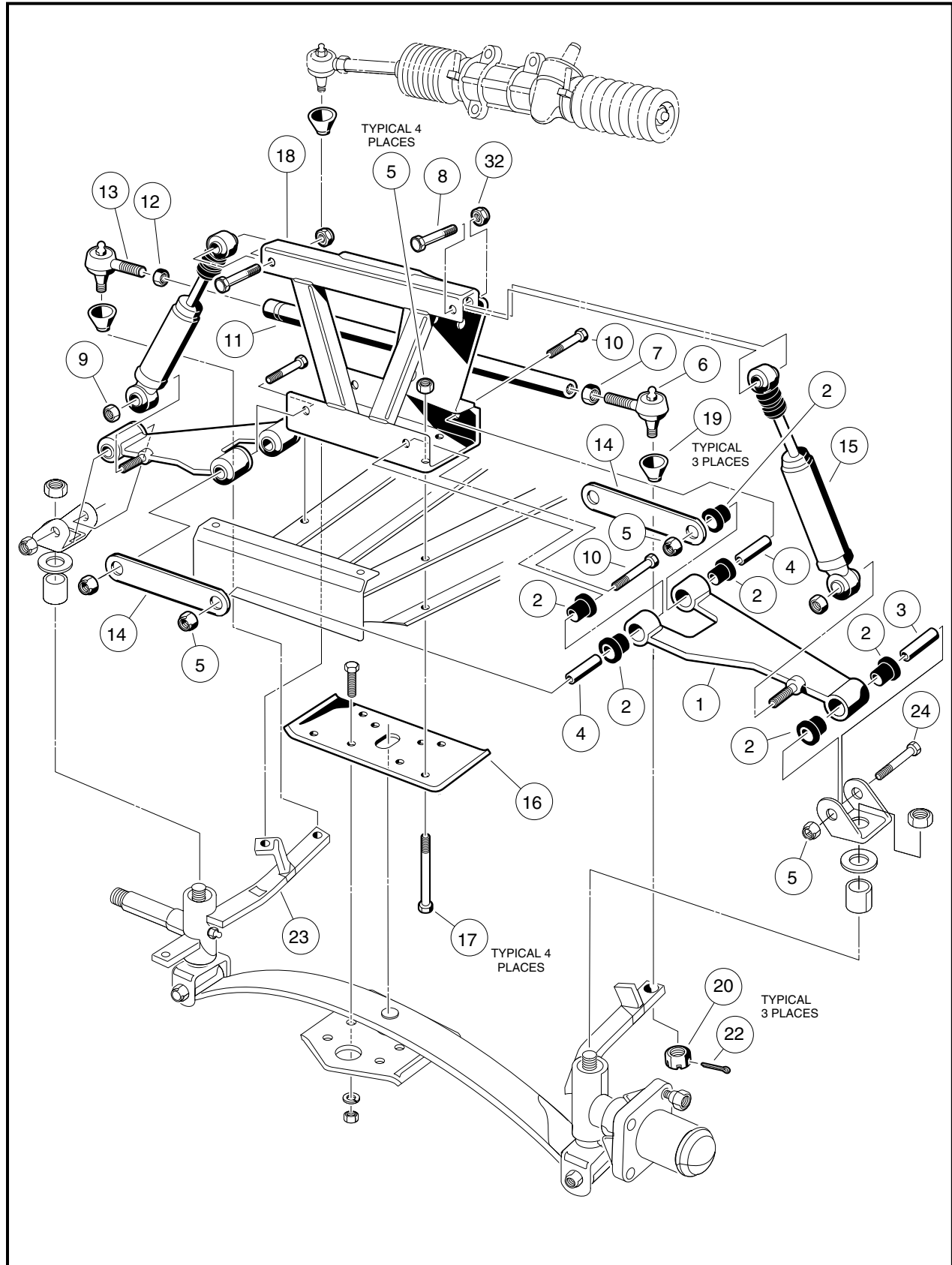


Figure 7-20 Two-Wheel Brake Vehicle – Upper Portion

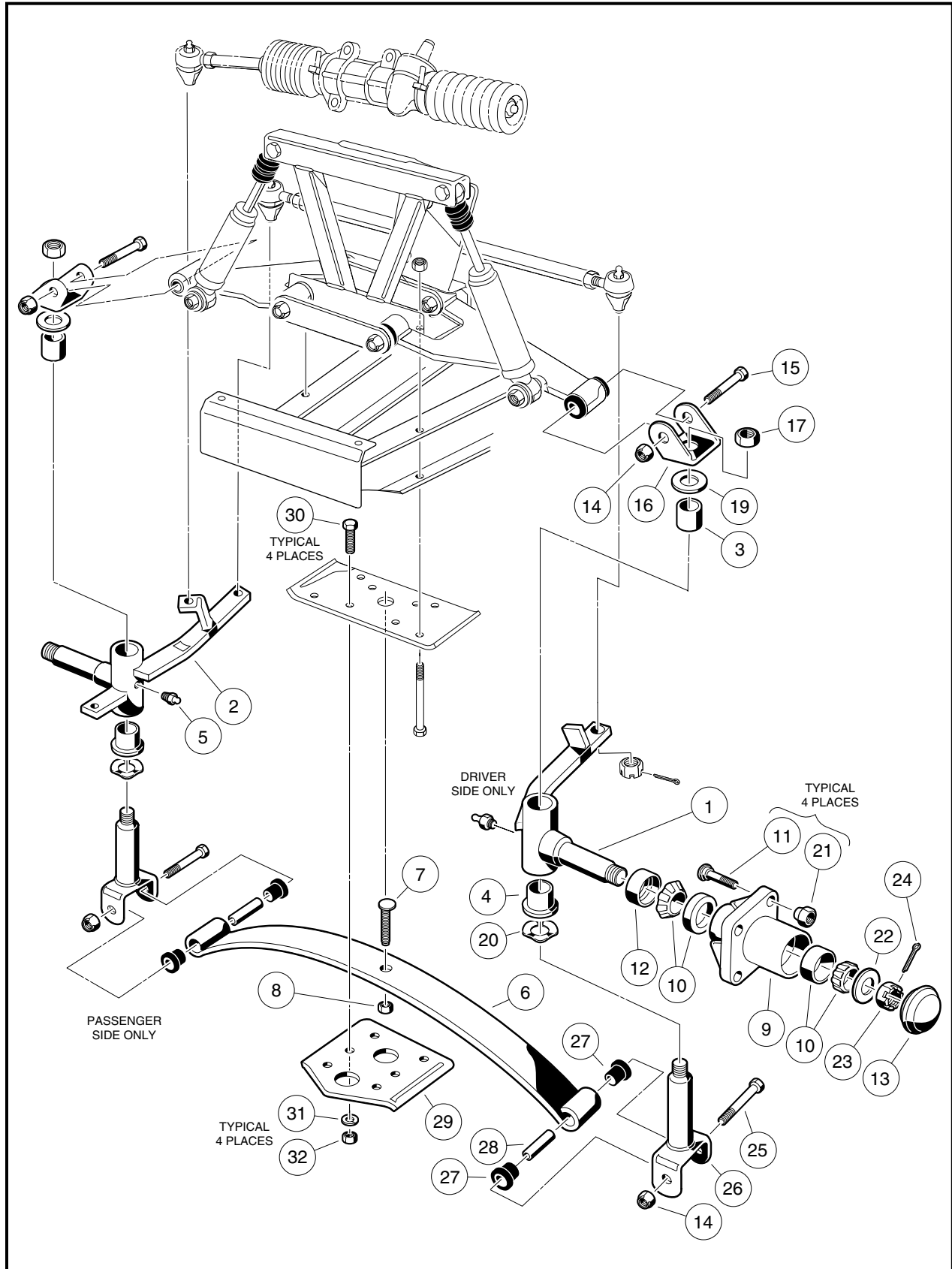


Figure 7-21 Two-Wheel Brake Vehicle – Lower Portion

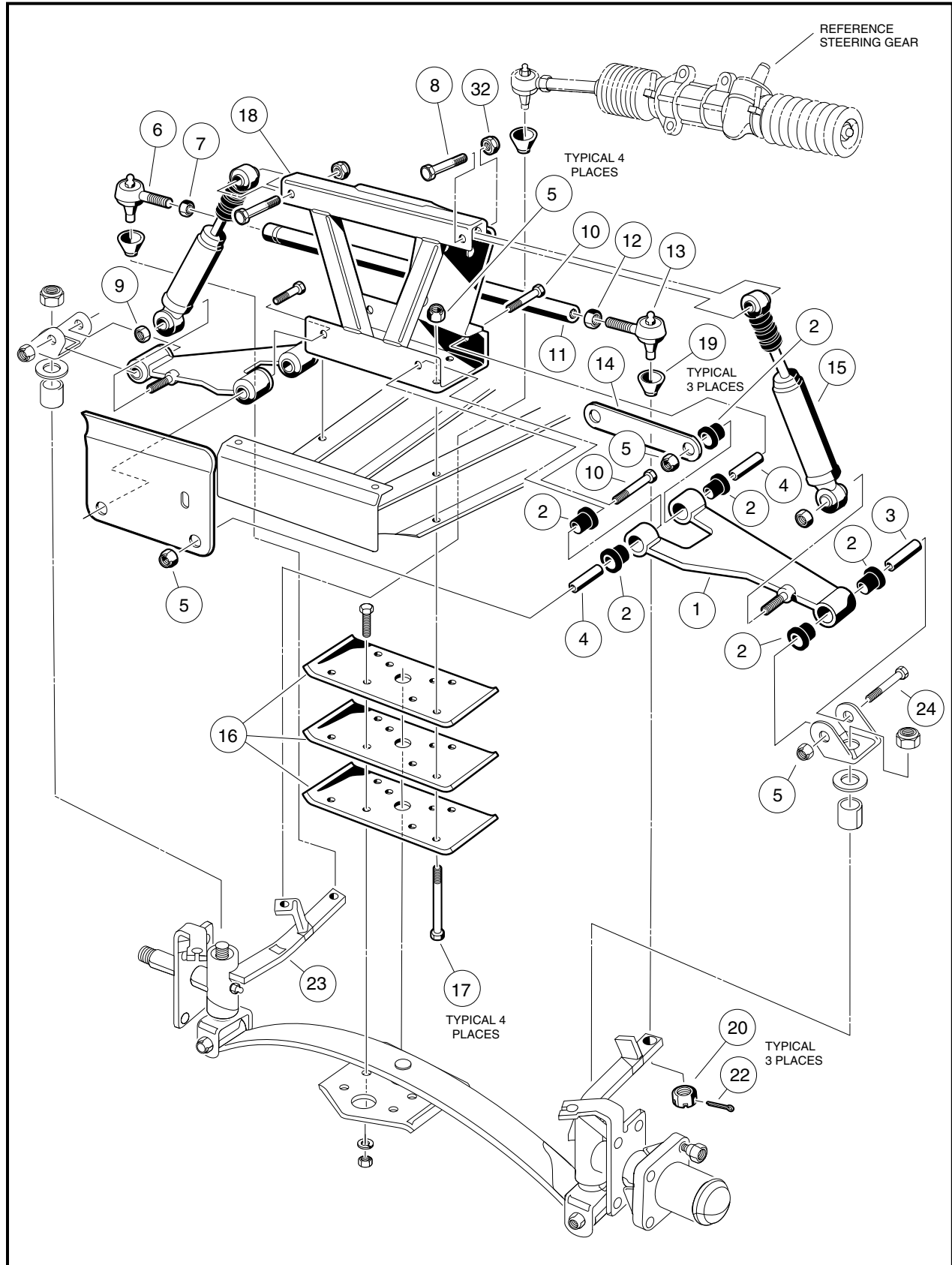


Figure 7-22 Four-Wheel Brake Vehicle – Upper Portion

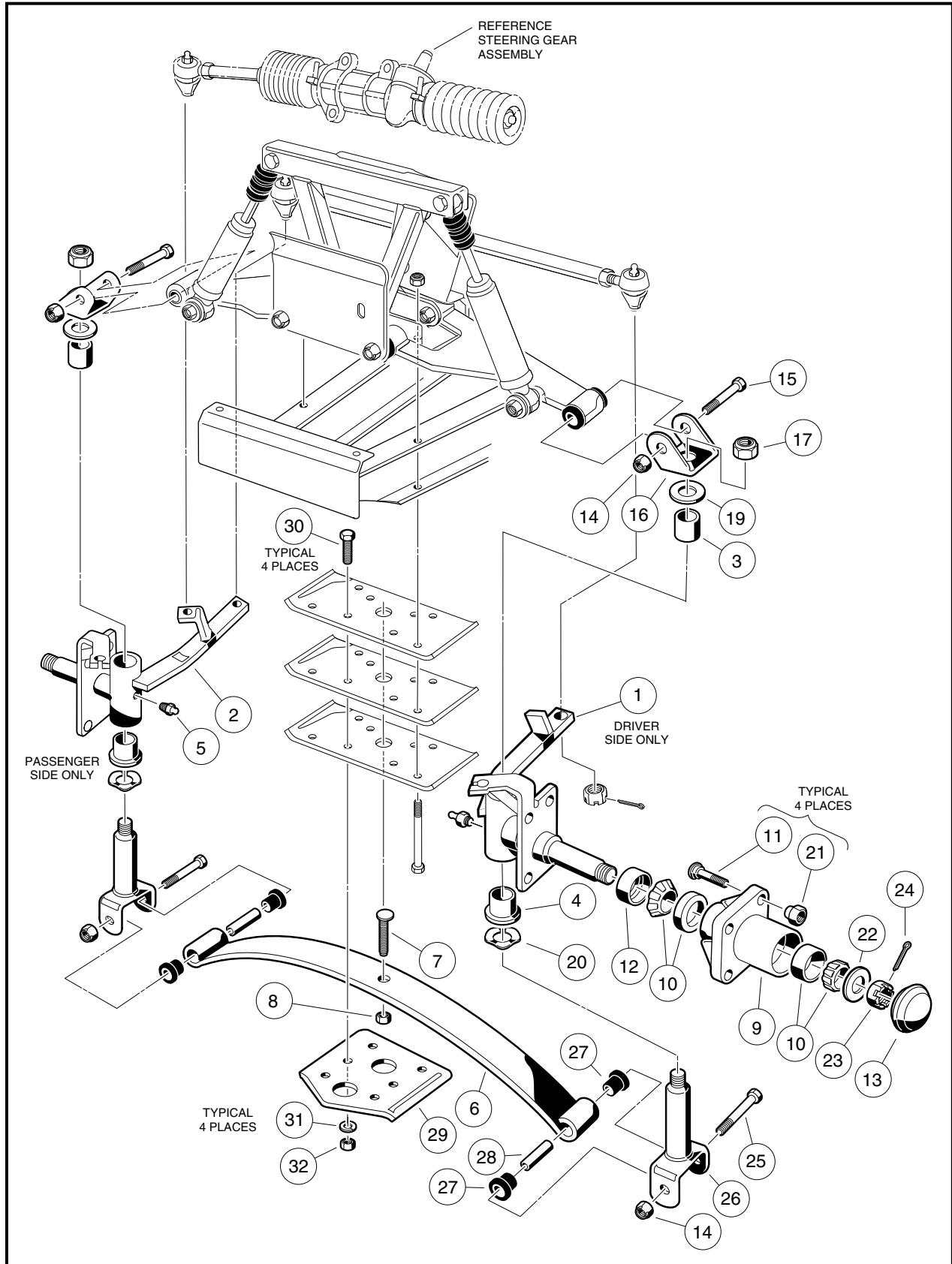
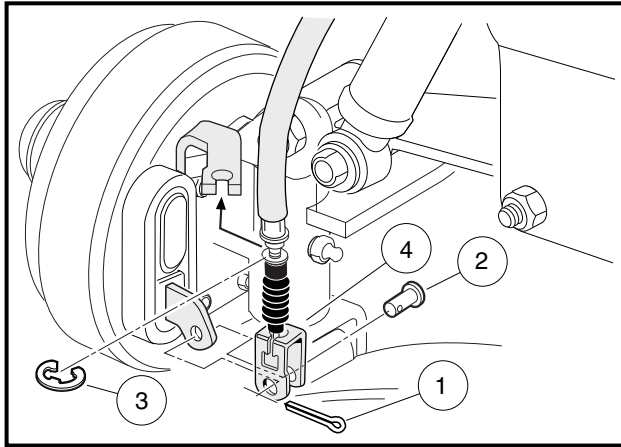


Figure 7-23 Four-Wheel Brake Vehicle – Lower Portion

Kingpin and Steering Spindle Removal, Continued:**Figure 7-24 Connect Front Brake Cables**

3. Remove cotter pins (22) and nuts (20), then remove ball joints from the spindles (**Figure 7-20, Page 7-18 or Figure 7-22, Page 7-20**). Remove drag link ball joint. **See also Tie Rod and Drag Link Removal on page 7-14.**
4. Remove the nut (17) and lock washer (if present) from the top of the kingpin (26) (**Figure 7-21, Page 7-19 or Figure 7-23, Page 7-21**).
5. Raise the upper clevis (16) from the kingpin.
6. Remove the thrust washer (19).
7. Slide the spindle off the kingpin (26).
8. Remove the wave washer (20) and inspect it. If the washer is broken or has a wave bottom to wave crest height dimension of less than 0.040 inch (0.10 cm), it must be replaced.
9. Remove bolt (25) and nut (14) from bottom of kingpin (26) and remove kingpin.
10. Inspect the kingpin and spindle. If either is worn or damaged, it must be replaced.
11. Inspect the bushings (3 and 4). If the bushings are worn or damaged, remove them and press in new ones. **See following NOTE.**

NOTE: If the bushings are replaced, ream new bushings to 0.750-0.752 (3/4 inch) (19.05-19.10 mm) in diameter. The reamer should be long enough to ream both bushings from one direction.

KINGPIN AND STEERING SPINDLE INSTALLATION

1. Inspect all parts and replace them as necessary.
2. Install the kingpin (26) over the leaf spring eye. Insert the bolt (25) and install the nut (14) (**Figure 7-21, Page 7-19 or Figure 7-23, Page 7-21**). Tighten the bolt to 23 ft-lb (31 N·m).
3. Install the wave washer (20).
4. Install the steering spindle on the kingpin. Then install the thrust washer (19), upper plate clevis (16), and nut (17). If a lock washer was present, do not reinstall. Tighten the nut to 40 ft-lb (54.2 N·m).
5. Attach the ball joints (6 and 13) to the spindle arm, install and tighten the nut (20), and install the cotter pin (22) (**Figure 7-20, Page 7-18 or Figure 7-22, Page 7-20**).
6. Install the drag link ball joint. **See Tie Rod and Drag Link Installation on page 7-14.**

- For vehicles with four-wheel brakes, proceed to step 7.
 - For vehicles with two-wheel brakes, proceed to step 8.
7. Connect the front brake cables on four-wheel brake vehicle in reverse order of disassembly (**Figure 7-24, Page 7-22**).
 8. Install front hub and wheel. **See Front Wheel Bearings and Hub Installation on page 7-25.**

DELTA A-PLATE REMOVAL

1. Loosen lug nuts on both front wheels and raise front of the vehicle with a chain hoist or floor jack. Place jack stands under the front cross tube of the vehicle frame and lower the vehicle onto the jack stands.
2. Remove wheel. Remove bolts (10 and 24), A-Plate straps (14), and nuts (5) (**Figure 7-20, Page 7-18 or Figure 7-22, Page 7-20**).
3. Remove the lower shock absorber mounting nut (9), then slide the shock absorber free of the Delta A-Plate.
4. Remove the Delta A-Plate (1).
5. Inspect the bushings (2) and sleeves (3 and 4) in the Delta A-Plate and replace them if necessary.

DELTA A-PLATE INSTALLATION

1. Install the A-Plate in reverse order of removal. Tighten the A-Plate suspension bolts (10 and 24) to 20 ft-lb (27 N·m) (**Figure 7-20, Page 7-18 or Figure 7-22, Page 7-20**).
2. Install the wheels and adjust the wheel alignment. **See Wheel Alignment on page 7-15.**

SHOCK ABSORBER REMOVAL

1. Inspect the shock absorbers for fluid leakage at the point where the shaft enters the shock absorber body. Leaking shock absorbers should be replaced.
2. Remove the nut (9) attaching the shock absorber to the A-Plate (**Figure 7-20, Page 7-18 or Figure 7-22, Page 7-20**).
3. Remove the nut (32) and bolt (8) attaching the shock absorber to the shock and gear support.
4. Remove the shock absorber.

SHOCK ABSORBER INSTALLATION

NOTE: When installing shock absorbers, make sure front shocks have identical part numbers and rear shocks have identical part numbers.

1. Install the shock absorber by reversing the removal procedure.
2. Tighten the nuts to 20 ft-lb (27 N·m).

FRONT WHEEL BEARINGS AND HUBS

Read **DANGER** and **WARNING** on page 7-1.

FRONT WHEEL FREE PLAY INSPECTION

1. Raise the front of the vehicle.
2. Using your hands, attempt to rock the wheel and hub assembly back and forth on the spindle. If there is any observable movement of the wheel and hub on the spindle, remove dust cap (1) and cotter pin (2), and then tighten the spindle nut (3) until the bearing (5) fully seats in the bearing race (7).
3. Loosen spindle nut one cotter pin position. If the hub does not turn freely, loosen spindle nut one more cotter pin position.
4. Install a new cotter pin (2). If movement continues, replace the wheel bearings (5) as required (**Figure 7-25, Page 7-24**).

FRONT WHEEL BEARINGS AND HUB REMOVAL

1. Remove the front wheels. **See Wheel Removal, Section 8, Page 8-3.**
2. Remove the front wheel hubs.
 - 2.1. Remove dust cover (1), cotter pin (2), spindle nut (3), and flat washer (8) (**Figure 7-25, Page 7-24**).
 - 2.2. Remove the hub assembly (4) from the spindle shaft.
3. Remove the seal (6) and the bearings (5) from the hub.
4. Inspect the bearing cups (7). If they are worn or pitted, remove the cups by inserting a drift punch from the opposite end of the hub and tapping lightly around them.
5. Clean all parts and inspect them for wear. Replace any damaged or worn parts.

NOTE: Do not use compressed air to dry wheel bearings after cleaning.

6. Inspect the surface of the spindle shaft where the seal (6) seats. It should be clean and smooth.

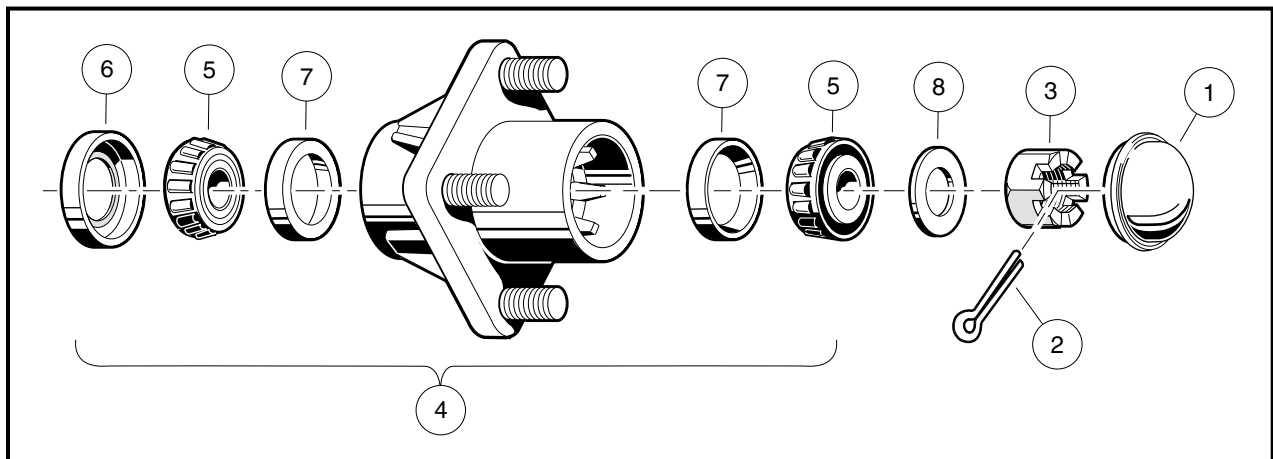


Figure 7-25 Front Wheel Bearings and Hub

FRONT WHEEL BEARINGS AND HUB INSTALLATION

1. Pack the wheel bearings (5) and hub cavities, and lubricate cups (7) with wheel bearing grease or chassis lube. Make sure the grease is forced between the rollers (**Figure 7-25, Page 7-24**).
2. If bearing cups (7) were removed, press new ones in squarely against stops in the hub.

NOTE: *Install new cups when new bearings are installed.*

3. Install the wheel bearings (5) into the hub and install a new seal (6), with the metal edge toward the hub. **See following NOTE.**

NOTE: *Apply grease around dust seal inner lip before installation.*

4. Install the hub assembly (4) and flat washer (8) on the spindle and start the spindle nut (3).
5. Tighten the spindle nut until the hub is hard to turn, then back the nut (3) off until the hub turns freely. Install a new cotter pin (2).

NOTE: *When the cotter pins are bent, make sure they do not contact the hub or dust cap.*

6. Check front wheel free play. **See Front Wheel Free Play Inspection on page 7-24.**
7. Install the dust cap (1).
8. Repeat the procedure for the opposite wheel.
9. Install the wheels and then finger-tighten the lug nuts.
10. Lower the vehicle and finish tightening lug nuts (using a crisscross pattern) to 55 ft-lb (74.6 N·m).

SECTION 8 – WHEELS AND TIRES

⚠ DANGER

- **Battery – Explosive gases! Do not smoke. Keep sparks and flames away from the vehicle and service area. Ventilate when charging or operating vehicle in an enclosed area. Wear a full face shield and rubber gloves when working on or near batteries.**
- **Battery – Poison! Contains acid! Causes severe burns. Avoid contact with skin, eyes, or clothing. Antidotes:**
 - **External: Flush with water. Call a physician immediately.**
 - **Internal: Drink large quantities of milk or water. Follow with milk of magnesia or vegetable oil. Call a physician immediately.**
 - **Eyes: Flush with water for 15 minutes. Call a physician immediately.**
- **Gasoline – Flammable! Explosive! Do not smoke. Keep sparks and flames away from the vehicle and service area. Service only in a well-ventilated area.**
- **Do not operate gasoline vehicle in an enclosed area without proper ventilation. The engine produces carbon monoxide, which is an odorless, deadly poison.**

⚠ WARNING

- **Follow the procedures exactly as stated in this manual, and heed all DANGER, WARNING, and CAUTION statements in this manual as well as those on the vehicle and battery charger.**
- **Only trained technicians should service or repair the vehicle or battery charger. Anyone doing even simple repairs or service should have knowledge and experience in electrical and mechanical repair. The appropriate instructions must be used when performing maintenance, service, or accessory installation.**
- **Prior to servicing the vehicle or leaving the vehicle unattended, turn the key switch OFF, remove the key, and place the Forward/Reverse handle in the NEUTRAL position. Chock the wheels when servicing the vehicle.**

Gasoline vehicles only:

- **To avoid unintentionally starting the vehicle:**
 - **Disconnect battery cables, negative (–) cable first. See Figure 1-1, Section 1, Page 1-3.**
 - **Disconnect the spark plug wire from the spark plug.**
- **Frame ground – Do not allow tools or other metal objects to contact frame when disconnecting battery cables or other electrical wiring. Do not allow a positive wire to touch the vehicle frame, engine, or any other metal component.**

Electric vehicles only:

- **To avoid unintentionally starting the vehicle, disconnect the batteries as shown. See Figure 1-2, Section 1, Page 1-3.**
- **After disconnecting the batteries, discharge the controller capacitors as follows:**
 - **Turn key switch to ON and place the Forward/Reverse handle in REVERSE.**
 - **Slowly depress the accelerator pedal and keep it depressed until the reverse warning buzzer can no longer be heard. When the buzzer stops sounding, the controller capacitors are discharged.**

WARNING CONTINUED ON NEXT PAGE...

WARNING

All vehicles:

- **Wear safety glasses or approved eye protection when servicing the vehicle or battery charger. Wear a full face shield and rubber gloves when working on or near batteries.**
- **Do not wear loose clothing or jewelry such as rings, watches, chains, etc., when servicing the vehicle or battery charger.**
- **Moving parts! Do not attempt to service the vehicle while it is running.**
- **Hot! Do not attempt to service hot engine, exhaust system, or motor. Failure to heed this warning could result in severe burns.**
- **Use insulated tools when working near batteries or electrical connections. Use extreme caution to avoid shorting of components or wiring.**
- **Check the vehicle owner's manual for proper location of all vehicle safety and operation decals and make sure they are in place and are easy to read.**
- **Any modification or change to the vehicle that affects the stability or handling of the vehicle, or increases maximum vehicle speed beyond factory specifications, could result in severe personal injury or death.**
- **Lift only one end of the vehicle at a time. Use a suitable lifting device (chain hoist or hydraulic floor jack) with 1000 lb. (454 kg) minimum lifting capacity. Do not use lifting device to hold vehicle in raised position. Use approved jack stands of proper weight capacity to support the vehicle and chock the wheels that remain on the floor. When not performing a test or service procedure that requires movement of the wheels, lock the brakes.**
- **If wires are removed or replaced, make sure wiring and wire harness are properly routed and secured. Failure to properly route and secure wiring could result in vehicle malfunction, property damage, personal injury, or death.**
- **For vehicles with cargo beds, remove all cargo before raising the bed or servicing the vehicle. If the vehicle is equipped with a prop rod, ensure that it is securely engaged while bed is raised. Do not close bed until all persons are clear of cargo bed area. Keep hands clear of all crush areas. Do not drop cargo bed; lower gently and keep entire body clear. Failure to heed this warning could result in severe personal injury or death.**
- **Improper use of the vehicle or failure to properly maintain it could result in decreased vehicle performance, severe personal injury, or death.**
- **Do not leave children unattended on vehicle.**

GENERAL INFORMATION

Maximum tire life and good vehicle handling qualities are directly related to proper wheel and tire care.

- **Keep tires properly inflated as follows: 16-18 psi (1.10-1.24 Bars) for Turf 1 and Carryall 1 gasoline vehicles; 18-20 psi (1.24-1.38 Bars) for Turf 1 and Carryall 1 electric vehicles; 30-34 psi (2.07-2.34 Bars) for all other vehicles.**
- **Keep lug nuts properly tightened.**
- **Keep the front end properly aligned and adjusted.**

WHEELS

Read **DANGER** and **WARNING** on page 8-1.

WHEEL REMOVAL

1. Slightly loosen the lug nuts on the wheel to be removed.
2. Raise the end of the vehicle from which the wheel is to be removed. Make sure the wheels are off the ground. **See WARNING on page 8-1.**
3. Remove the lug nuts and remove the wheel.

WHEEL INSTALLATION

1. Install wheel(s) and tighten the lug nuts (using a crisscross pattern) until they are snug.
2. Lower the vehicle and finish tightening the lug nuts (using a crisscross pattern) to 55 ft-lb (74.6 N·m).

TIRES

Read **DANGER** and **WARNING** on page 8-1.

TIRE REMOVAL

NOTE: Tire must be removed or installed from the valve stem side of the rim.

1. Remove the tire and wheel assembly from the vehicle as instructed. **See Wheel Removal on page 8-3.**
2. Remove the valve cap and valve core and allow air to escape from the tire.
3. If possible, use a tire machine to remove the tire from the rim.
 - 3.1. If a tire machine is not available, loosen both tire beads by applying pressure to the tire side walls and pushing the tire bead away from the rim flange and into the rim well (**Figure 8-1, Page 8-3**).

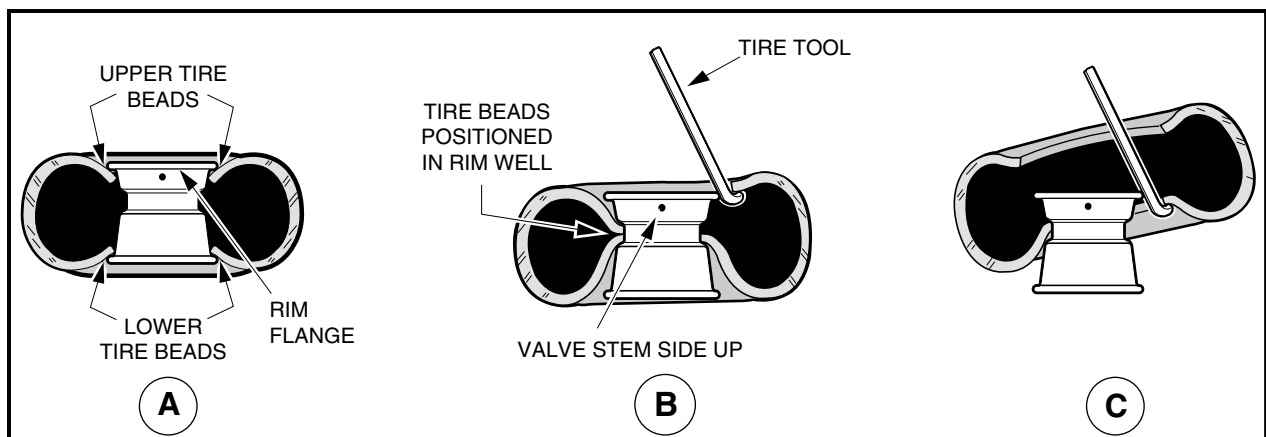


Figure 8-1 Tire Removal

- 3.2. With the valve stem side of the wheel up, use a tire tool to carefully start the upper bead over the edge of the rim (**Figure 8-1, Page 8-3**).

⚠ CAUTION

- To avoid damage to the tire, do not use excessive force when starting the bead over the edge of the rim.

Tire Removal, Continued:

- 3.3. When the top bead is free of the rim, pull the bead from the bottom side of the rim up into the upper part of the rim well. Insert the tire tool under the lower bead as shown (**Figure 8-1, Page 8-3**) and carefully pry the lower bead over the rim flange.
- 3.4. Once the lower bead is started over the rim flange, the tire can be removed from the rim by hand.

TIRE REPAIR

1. Determine the location and cause of the air leak.
 - 1.1. Remove the wheel as instructed. **See Wheel Removal on page 8-3.** Inflate the tire to no more than 20 psi (1.38 Bars).
 - 1.2. Immerse the tire in water and then mark the point where bubbles are formed by escaping air.
 - 1.3. Determine the cause of the air leak and repair as required. **See following NOTE.**

NOTE: *An air leak could be due to a punctured tire, faulty valve core, improperly seated valve stem, or improperly seated tire bead.*

Small holes in the tire can be plugged using a standard automotive tubeless tire repair kit available at auto supply stores.

TIRE INSTALLATION** WARNING**

- **While mounting or inflating tire, keep hands, fingers, etc. from exposed areas between the tire bead and rim.**

1. Clean both tire beads to remove dirt or other foreign matter.
2. Where the tire beads seat, clean the rim with a wire brush. Wipe away any debris with a clean cloth.

NOTE: *Because tubeless tires require a perfect seal in order to seat, keeping the tire and rim clean is very important.*

3. Apply a light coating of tire mounting lubricant (soap and water solution) to both tire beads and rim flanges.
4. Install the tire on the rim from the valve stem side. If there is no tire machine available, use a rubber mallet and tire iron.
5. Remove the valve core and position the tire so both beads are on the rim flange narrow bead seats.
6. Place the tire and wheel assembly against a wall in an upright position and push it against the wall while inflating the tire to 30-34 psi (2.07-2.34 Bars). The three-point contact (wall, floor, and hand) will help ensure that beads snap into place and form a proper seal as the tire is inflated (**Figure 8-2, Page 8-5**). **See following WARNING.**

 WARNING

- **Do not use a compressed air source with pressure over 100 psi (6.90 Bars). Due to the low pressure requirements of a small tire, over-inflation could be reached almost instantly when using a high pressure air supply. Over-inflation could cause the tire to explode, possibly resulting in personal injury.**

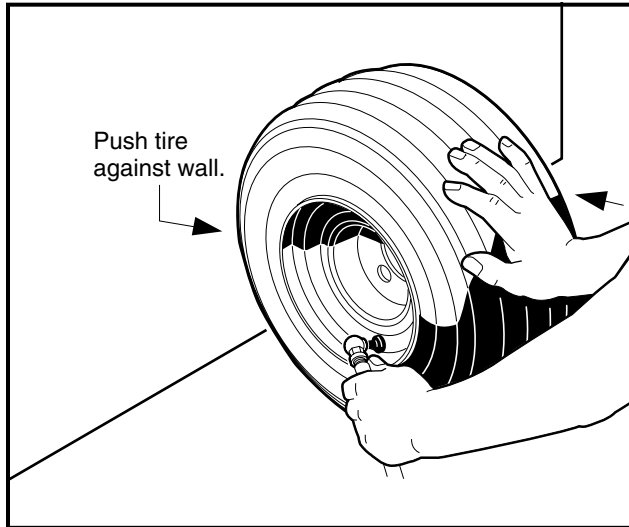


Figure 8-2 Inflate Tire

7. Quickly remove the air nozzle and install the valve core.
8. Adjust air pressure in the tire to 16-18 psi (1.10-1.24 Bars) for Turf 1 and Carryall 1 gasoline vehicles; 18-20 psi (1.24-1.38 Bars) for Turf 1 and Carryall 1 electric vehicles; or 30-34 psi (2.07-2.34 Bars) for all other vehicles.
9. Immerse the wheel and tire assembly in water to make sure there are no leaks.

SECTION 9 – REAR SUSPENSION

⚠ DANGER

- **Battery – Explosive gases! Do not smoke. Keep sparks and flames away from the vehicle and service area. Ventilate when charging or operating vehicle in an enclosed area. Wear a full face shield and rubber gloves when working on or near batteries.**
- **Battery – Poison! Contains acid! Causes severe burns. Avoid contact with skin, eyes, or clothing. Antidotes:**
 - **External: Flush with water. Call a physician immediately.**
 - **Internal: Drink large quantities of milk or water. Follow with milk of magnesia or vegetable oil. Call a physician immediately.**
 - **Eyes: Flush with water for 15 minutes. Call a physician immediately.**
- **Gasoline – Flammable! Explosive! Do not smoke. Keep sparks and flames away from the vehicle and service area. Service only in a well-ventilated area.**
- **Do not operate gasoline vehicle in an enclosed area without proper ventilation. The engine produces carbon monoxide, which is an odorless, deadly poison.**

⚠ WARNING

- **Follow the procedures exactly as stated in this manual, and heed all DANGER, WARNING, and CAUTION statements in this manual as well as those on the vehicle and battery charger.**
- **Only trained technicians should service or repair the vehicle or battery charger. Anyone doing even simple repairs or service should have knowledge and experience in electrical and mechanical repair. The appropriate instructions must be used when performing maintenance, service, or accessory installation.**
- **Prior to servicing the vehicle or leaving the vehicle unattended, turn the key switch OFF, remove the key, and place the Forward/Reverse handle in the NEUTRAL position. Chock the wheels when servicing the vehicle.**

Gasoline vehicles only:

- **To avoid unintentionally starting the vehicle:**
 - **Disconnect battery cables, negative (–) cable first. See Figure 1-1, Section 1, Page 1-3.**
 - **Disconnect the spark plug wire from the spark plug.**
- **Frame ground – Do not allow tools or other metal objects to contact frame when disconnecting battery cables or other electrical wiring. Do not allow a positive wire to touch the vehicle frame, engine, or any other metal component.**

Electric vehicles only:

- **To avoid unintentionally starting the vehicle, disconnect the batteries as shown. See Figure 1-2, Section 1, Page 1-3.**
- **After disconnecting the batteries, discharge the controller capacitors as follows:**
 - **Turn key switch to ON and place the Forward/Reverse handle in REVERSE.**
 - **Slowly depress the accelerator pedal and keep it depressed until the reverse warning buzzer can no longer be heard. When the buzzer stops sounding, the controller capacitors are discharged.**

WARNING CONTINUED ON NEXT PAGE...

⚠ WARNING

All vehicles:

- Wear safety glasses or approved eye protection when servicing the vehicle or battery charger. Wear a full face shield and rubber gloves when working on or near batteries.
- Do not wear loose clothing or jewelry such as rings, watches, chains, etc., when servicing the vehicle or battery charger.
- Moving parts! Do not attempt to service the vehicle while it is running.
- Hot! Do not attempt to service hot engine, exhaust system, or motor. Failure to heed this warning could result in severe burns.
- Use insulated tools when working near batteries or electrical connections. Use extreme caution to avoid shorting of components or wiring.
- Check the vehicle owner's manual for proper location of all vehicle safety and operation decals and make sure they are in place and are easy to read.
- Any modification or change to the vehicle that affects the stability or handling of the vehicle, or increases maximum vehicle speed beyond factory specifications, could result in severe personal injury or death.
- Lift only one end of the vehicle at a time. Use a suitable lifting device (chain hoist or hydraulic floor jack) with 1000 lb. (454 kg) minimum lifting capacity. Do not use lifting device to hold vehicle in raised position. Use approved jack stands of proper weight capacity to support the vehicle and chock the wheels that remain on the floor. When not performing a test or service procedure that requires movement of the wheels, lock the brakes.
- If wires are removed or replaced, make sure wiring and wire harness are properly routed and secured. Failure to properly route and secure wiring could result in vehicle malfunction, property damage, personal injury, or death.
- For vehicles with cargo beds, remove all cargo before raising the bed or servicing the vehicle. If the vehicle is equipped with a prop rod, ensure that it is securely engaged while bed is raised. Do not close bed until all persons are clear of cargo bed area. Keep hands clear of all crush areas. Do not drop cargo bed; lower gently and keep entire body clear. Failure to heed this warning could result in severe personal injury or death.
- Improper use of the vehicle or failure to properly maintain it could result in decreased vehicle performance, severe personal injury, or death.
- Do not leave children unattended on vehicle.

GENERAL INFORMATION

The rear suspension and powertrain of the vehicle move independently from the vehicle frame. The suspension includes two multi-leaf springs controlled by two hydraulic shock absorbers mounted between the spring mounting plate and the frame. On the gasoline vehicle, the engine is mounted on an engine mounting plate that moves with the suspension. At the front of the mounting plate, a snubber limits the mounting plate motion. The rear suspension on the gasoline Turf 2, 6, Carryall 2, 2 Plus and 6 vehicles also includes a stabilizer bar that reduces side to side sway.

SHOCK ABSORBERS

Read **DANGER** and **WARNING** on page 9-1.

SHOCK ABSORBER INSPECTION AND REMOVAL

1. Check shock absorbers (7) for damage and fluid leakage around the lower housing of the shock absorber body. Replace damaged or leaking shock absorbers (**Figure 9-3, Page 9-6 or Figure 9-4, Page 9-7**).

2. To remove a shock absorber (7), remove the nut (5), cup washer (9), and rubber bushing (10) from the upper shock absorber stem.
3. Remove lower mounting hardware (5, 9 and 10) on shock absorber lower mount (**Figure 9-3, Page 9-6** or **Figure 9-4, Page 9-7**). See also **Figure 9-1, Page 9-3**.
4. Compress the shock absorber to remove it.

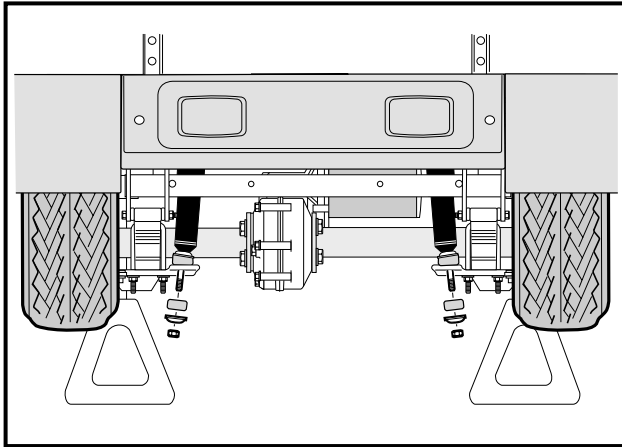


Figure 9-1 Remove Shock Absorbers

SHOCK ABSORBER INSTALLATION

NOTE: When installing shock absorbers, make sure front shocks have identical part numbers and rear shocks have identical part numbers.

1. Install shock absorber in the reverse order of removal.
2. On the upper shock absorber mount, tighten nut (5) until rubber bushing (10) expands to size of cup washer (9) (**Figure 9-3, Page 9-6** or **Figure 9-4, Page 9-7**).
3. On the lower shock absorber mount, install mounting hardware. Tighten the nut (5) until the rubber bushing (10) expands to the same diameter as the cup washer.

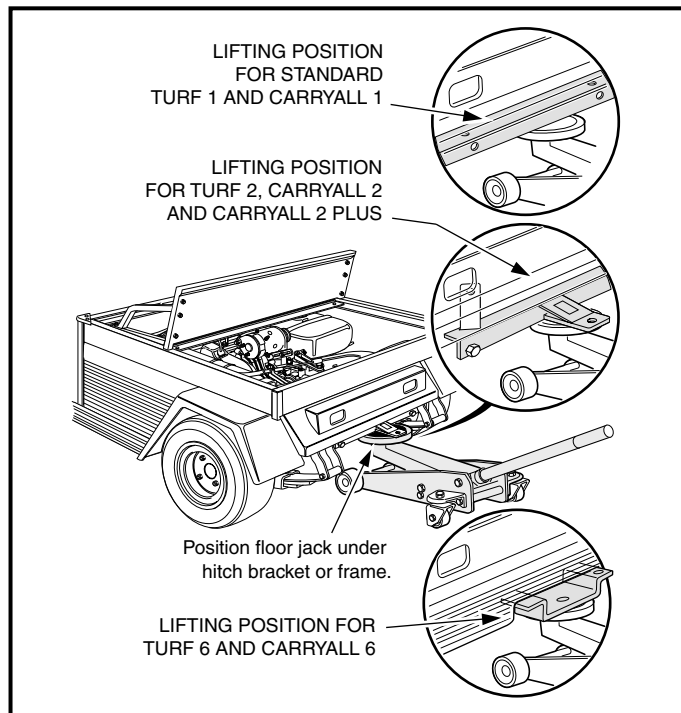
MULTI-LEAF SPRINGS

Read **DANGER** and **WARNING** on page 9-1.

NOTE: Turf 1 and Carryall 1 vehicles are equipped with jounce bumpers (**Figure 9-3, Page 9-6**).

MULTI-LEAF SPRING REMOVAL

1. Loosen the lug nuts on the wheel(s) to be removed.
2. Place chocks at the front wheels and lift rear of vehicle with a chain hoist or floor jack (**Figure 9-2, Page 9-4**). Position jack stands under the frame crossmember between the rear leaf spring front frame mount and the side stringer, just forward of each rear wheel. Lower the vehicle to let the jack stands support the vehicle. See **WARNING** on page 9-1.

Multi-Leaf Spring Removal, Continued:**Figure 9-2 Lift Vehicle**

3. Place a floor jack under the transaxle housing to support (but not lift) the powertrain. Raise it just enough to relieve tension on the shock absorbers without compressing them.
4. Remove tire and wheel assembly on the side from which the spring is to be removed. Thread one lug nut onto a stud on the rear hub. This will keep the brake drum on the hub.
5. Remove lower nut (5), cup washer (9), and rubber bushing (10) from shock absorber (7) (**Figure 9-3, Page 9-6 or Figure 9-4, Page 9-7**).
6. **For Turf 1 and Carryall 1 vehicles:**
 - 6.1. Remove the lock nuts (14) and flat washers (13) (if present) attaching the U-bolt (11) to the shock mount bracket (16). Remove jounce bumper mount (20) and spacer (21) (**Figure 9-3, Page 9-6**).
 - 6.2. Allow shock mount bracket (16) to rotate downward and remove spring retainer (22). Do not disconnect brake cable from bracket (**Figure 9-3, Page 9-6**).
7. **For all Turf and Carryall vehicles except Turf 1 and Carryall 1:**
 - 7.1. Remove the lock nuts (14) attaching the U-bolt (11) to the shock mount bracket (16). Do not disconnect brake cable from bracket (**Figure 9-4, Page 9-7**).
8. Raise axle with floor jack until axle saddle (23) is 1 inch (2.5 cm) above spring (**Figure 9-3, Page 9-6**).
9. Remove bolt (15) and lock nut (2) attaching the leaf spring (12) to the rear shackle (1) (**Figure 9-3, Page 9-6 or Figure 9-4, Page 9-7**).
10. Allow rear of leaf spring (12) to rest on the ground and remove the bolt (24) and lock nut (25) attaching the front of the spring to the vehicle frame (**Figure 9-3, Page 9-6 or Figure 9-4, Page 9-7**). Remove spring from vehicle.
11. Inspect the rubber bushings (4) and steel sleeves (3) in the spring eyes and replace them if they are worn or damaged (**Figure 9-3, Page 9-6 or Figure 9-4, Page 9-7**).

MULTI-LEAF SPRING INSTALLATION

NOTE: When installing rear leaf springs, make sure that both springs have identical part numbers.

1. Install rubber bushings (4) and steel sleeves (3) into leaf spring eyes if bushings were removed (**Figure 9-3, Page 9-6 or Figure 9-4, Page 9-7**).
2. Place front of leaf spring (12) into vehicle frame and insert bolt (24) through frame and leaf spring eye. Install lock nut (25) and tighten to 15 ft-lb (20.3 N·m).
3. Align the other end of leaf spring with the holes in the spring shackles (1). Insert bolt (15) through leaf spring eye and shackles. Install lock nut (2) and tighten to 15 ft-lb (20.3 N·m). Lower transaxle onto leaf spring (12).

⚠ CAUTION

- When placing transaxle on spring, be sure to position locating bolt on the spring in the locating hole in the transaxle saddle (23) (**Figure 9-3, Page 9-6**).
4. **For Turf 1 and Carryall 1 vehicles:**
 - 4.1. Install spring retainer (22) and shock mount bracket (16) onto locating bolt at bottom center of leaf-spring (**Figure 9-3, Page 9-6**). See preceding **CAUTION**.
 - 4.2. Position jounce bumper mount (20) with spacer (21) onto axle tube. Install U-bolt (11), flat washers (13) (if present), and lock nuts (14). Tighten U-bolt to 25 ft-lb (34 N·m) (**Figure 9-3, Page 9-6**).
 5. **For all Turf and Carryall vehicles except Turf 1 and Carryall 1:**
 - 5.1. Install shock mount bracket (16) onto locating bolt at bottom center of leaf-spring (**Figure 9-4, Page 9-7**). See preceding **NOTE**.
 - 5.2. Install U-bolt (11) and lock nuts (14). Tighten U-bolt to 25 ft-lb (34 N·m) (**Figure 9-4, Page 9-7**).
 6. Install shock absorber. See **Shock Absorber Installation on page 9-3**. See following **NOTE**.

NOTE: When installing shock absorbers, make sure rear shocks have identical part numbers.

SNUBBER

Read DANGER and WARNING on page 9-1.

The snubber is installed on the gasoline vehicle only.

SNUBBER REMOVAL

1. Support the powertrain with a floor jack under the engine mounting plate so that the snubber is raised slightly and does not rest on the vehicle frame.
2. Remove the two bolts (2) and two lock nuts (1) securing the snubber bracket to the engine mounting plate (**Figure 9-5, Page 9-8**).
3. Slide snubber and bracket assembly toward battery to remove it from vehicle.

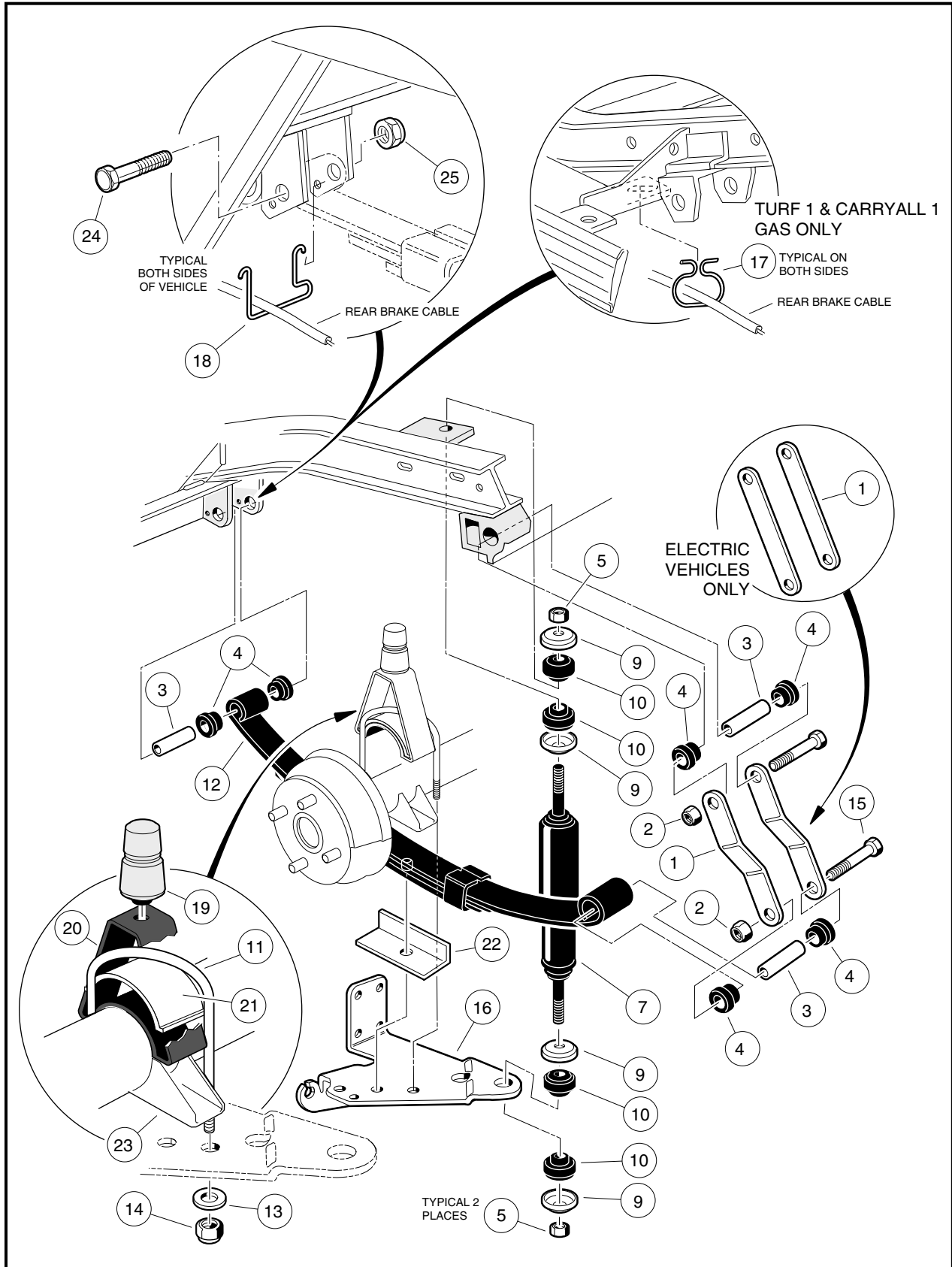


Figure 9-3 Rear Suspension – Turf 1 and Carryall 1 Vehicles

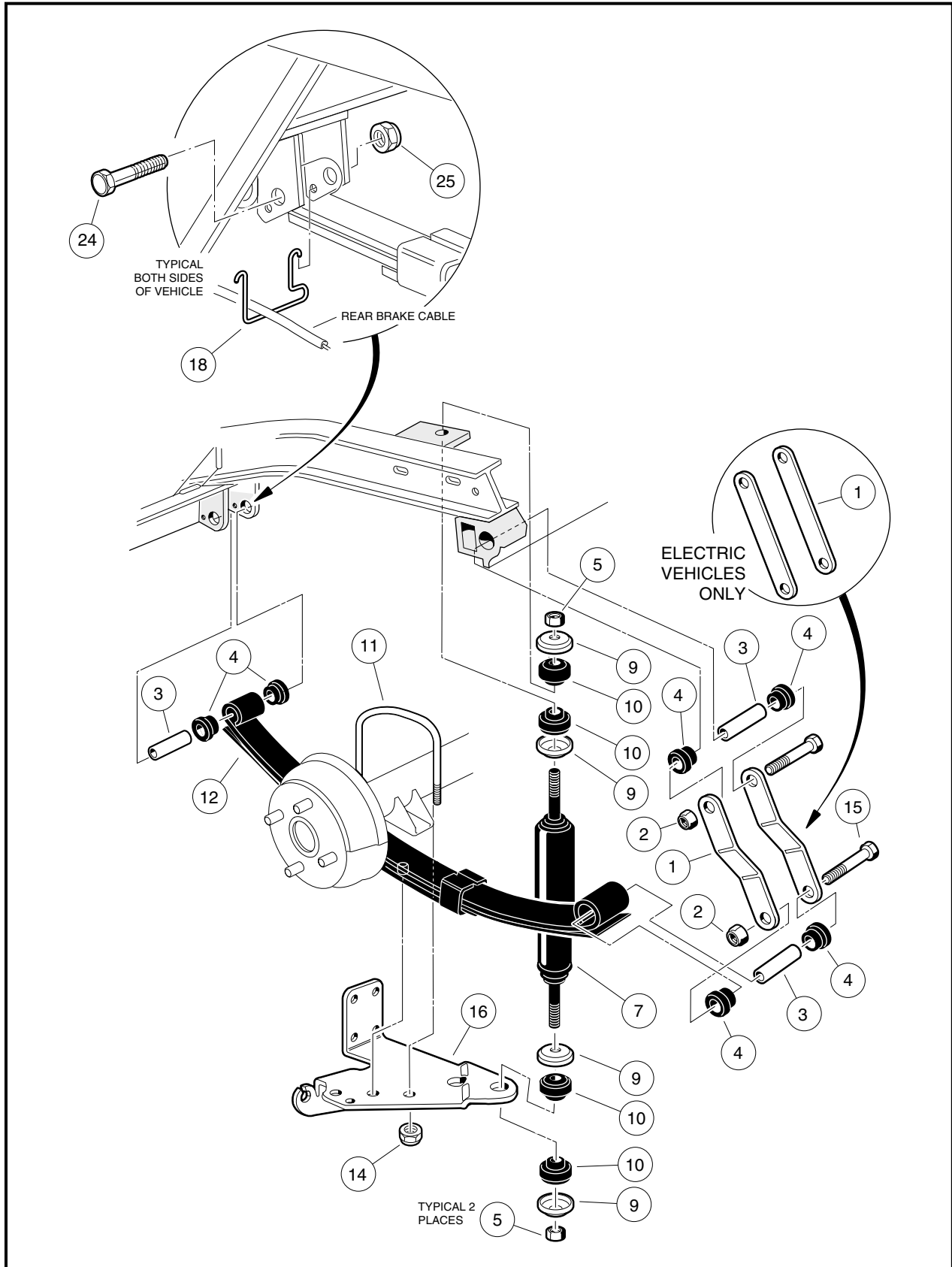


Figure 9-4 Rear Suspension – All Turf and Carryall Vehicles Except Turf 1 and Carryall 1

SNUBBER INSTALLATION

1. Install in the reverse order of removal.
2. Tighten snubber bracket mounting nuts (1) to 13 ft-lb (17.6 N-m) (**Figure 9-5, Page 9-8**).

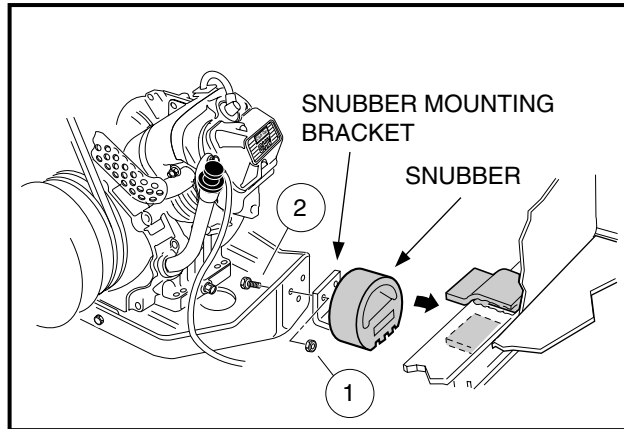


Figure 9-5 Snubber Brackets

STABILIZER BAR

Read **DANGER** and **WARNING** on page 9-1.

A stabilizer bar is installed on gasoline Turf 2, Turf 6, Carryall 2, Carryall 2 Plus and Carryall 6 vehicles.

STABILIZER BAR REMOVAL

1. Place chocks at the front wheels and lift the rear of the vehicle with a chain hoist or floor jack. Position jack stands under the frame crossmember between the spring mount and the side stringer, just forward of each rear wheel. Lower vehicle to let the jack stands support the vehicle.
2. Remove bolt (6), lock washer (7), flat washers (4), compression mounts (3), and spacer (2) from left and right stabilizer bar links (5). Do not remove the stabilizer bar links from frame (**Figure 9-6, Page 9-9**).
3. Remove bolts (14) and lock nuts (15) from the left and right stabilizer bar bushing support (12) and remove supports and stabilizer bar (1) from vehicle.
4. Remove bushings (13) from stabilizer bar (1).

STABILIZER BAR INSTALLATION

1. Position stabilizer bar at the transaxle mounting brackets. Install a bushing (13) onto bar, making sure the bushing is located in the center of the four mounting holes in the bracket (**Figure 9-6, Page 9-9**).
2. Place the bushing support (12) onto the bushing. Install four hex-head bolts (14) through the bushing support and transaxle mounting bracket.
3. Install four lock nuts (15) and tighten to 75 in-lb (8.4 N-m).
4. Repeat steps 1, 2, and 3 for the other side of the stabilizer bar.

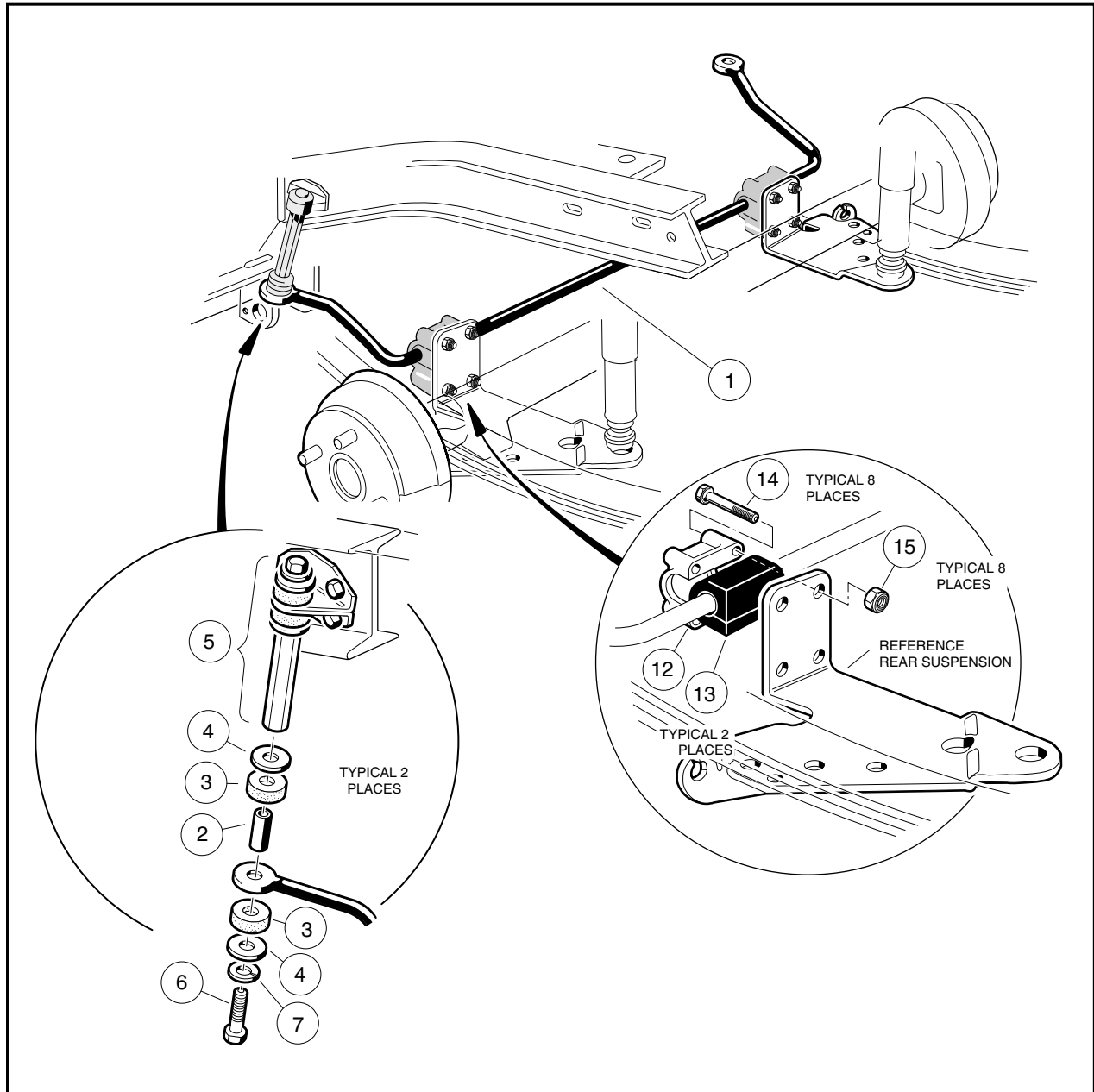


Figure 9-6 Stabilizer Bar

5. Place lock washer (7), flat washer (4), spacer (2), and compression mount (3) onto bolt (6). Install bolt through mounting hole in stabilizer bar and place another compression mount (3) and flat washer (4) onto bolt (**Figure 9-6, Page 9-9**).
6. Install the bolt (6) with hardware into the stabilizer bar link (5) and finger-tighten.
7. Repeat steps 5 and 6 for the other side of the stabilizer bar.
8. Tighten bolts (6) in the stabilizer bar links (5) to 17 ft-lb (23 N·m).
9. Place jack under transaxle and raise vehicle enough to remove jack stands. Lower the vehicle to the ground.

JOUNCE BUMPERS

Read **DANGER** and **WARNING** on page 9-1.

JOUNCE BUMPER REMOVAL

1. Grip jounce bumper (19) and pull from bumper mount (20) (**Figure 9-3, Page 9-6**).

JOUNCE BUMPER INSTALLATION

1. Insert jounce bumper (19) into bumper mount (20) (**Figure 9-3, Page 9-6**). Make sure the entire circumference of bumper is seated firmly in mounting hole.

A**accelerator**

- pedal (elec with CVP)
 - height adjustment 5-23
 - installation 5-12
 - removal 5-11
- pedal (MCOR)
 - height adjustment 5-22
 - installation 5-16
 - removal 5-13
- pedal (multi-step pot. & gas)
 - height adjustment (gas) 5-19
 - height adjustment (multi-step pot.) 5-28
 - installation 5-10
 - removal 5-9

access door

- installation 4-10
- removal 4-10

B**bed, flat**

see flat bed

bed, tilt

see tilt bed

body, front

- installation 4-5
- removal 4-5
- repair 4-3

brakes

- adjustment (manually-adjusted brakes) 6-14
- adjustment (self-adjusting brakes) 6-9
- assembly
 - cleaning (manually-adjusted brakes) 6-10
 - cleaning (self-adjusting brakes) 6-5
- cable
 - equalization (manually-adjusted brakes) 6-15
- cable (front)
 - installation 6-22
 - removal 6-21
- cable (rear)
 - installation 6-24
 - removal 6-23
- cluster (front)
 - adjustment 6-14
 - installation 6-20
 - removal 6-20
- cluster (rear)
 - adjustment 6-14
 - installation 6-19
 - removal 6-19

pedal

- height adjustment (elec with CVP) 5-22
- height adjustment (gas) 5-17
- height adjustment (MCOR) 5-21
- height adjustment (multi-step pot.) 5-27
- installation 5-3
- removal 5-2

shoe

- installation (manually-adjusted brakes) 6-12
- installation (self-adjusting brakes) 6-7
- removal 6-4

brakes, park

see park brake

bumper

- installation 4-16
- removal 4-16

C**CAUTION**

- definition of 1-1

cleaning

- brake assembly (manually-adjusted brakes) ... 6-10
- brake assembly (self-adjusting brakes) 6-5
- vehicle body 4-2

column, steering

see steering column

D**DANGER**

- definition of 1-1

door, access

see access door

door, side

see side door

F**fender, rear**

- installation 4-12
- removal 4-12

flat bed

- installation 4-8
- removal 4-8

flat bed trim

- installation 4-10
- removal 4-10

floor mat, front

- installation 4-15
- removal 4-15

floor mat, rear

- installation 4-15
- removal 4-15

H**hitch, trailer**

see trailer hitch

I**identification**

throttle input device 3-3

L**lubrication**

front suspension 7-15

M**multi-leaf spring**

installation 9-5

removal 9-3

P**park brake**

adjustment (elec with CVP) 5-22

adjustment (gas) 5-17

adjustment (MCOR) 5-21

adjustment (multi-step pot.) 5-27

installation 5-7

removal 5-6

pedal group adjustment

electric (CVP) 5-22

electric (MCOR) 5-21

electric (multi-step pot.) 5-27

gasoline 5-16

R**rack and pinion**

assembly 7-10

disassembly 7-9

installation 7-13

removal 7-8

S

safety 1-1

serial number, vehicle 3-4

shock absorber, front

installation 7-23

removal 7-23

shock absorber, rear

inspection 9-2

installation 9-3

removal 9-2

side door

installation 4-12

removal 4-12

snubber

installation 9-8

removal 9-5

specifications, vehicle 2-1

spring, multi-leaf

see multi-leaf spring

steering

adjustment 7-8

rack and pinion

assembly 7-10

disassembly 7-9

installation 7-13

removal 7-8

steering column

assembly 7-6

disassembly 7-6

installation 7-6

removal 7-4

steering wheel

installation 7-3

removal 7-2

storage

electric vehicle 3-6

gasoline vehicle 3-4

suspension, front

camber adjustment 7-15

components 7-17

delta a-plate

installation 7-23

removal 7-23

kingpin and steering spindle

installation 7-22

removal 7-17

leaf spring

installation 7-17

removal 7-17

shock absorber

installation 7-23

removal 7-23

wheel bearings and hubs

installation 7-25

removal 7-24

front wheel free play inspection 7-24

lubrication 7-15

toe-in adjustment 7-16

wheel alignment 7-15

suspension, rear

jounce bumper

installation 9-10

removal 9-10

multi-leaf spring

installation 9-5

removal 9-3

shock absorber
 inspection 9-2
 installation 9-3
 removal 9-2

snubber
 installation 9-8
 removal 9-5

stabilizer bar
 installation 9-8
 removal 9-8

T

tailskirt

 installation 4-15
 removal 4-15

throttle input device

 identification 3-3

tie rod and drag link

 installation 7-14
 removal 7-14

tilt bed

 installation 4-8
 removal 4-6

tire

 installation 8-4
 pressure 8-2
 removal 8-3
 repair 8-4

trailer hitch

 installation 4-14
 removal 4-13

W

WARNING

 definition of 1-1

wheel

see also tire

 installation 8-3
 removal 8-3

Your Comments Are Appreciated

Please select your category:

- Distributor/Dealer Technician
 Individual Owner Golf Course Superintendent
 Other: _____

In order to help us better serve you, please rate this publication in the following categories:

	Poor	Fair	Average	Good	Excellent
1. Ease of Understanding	<input type="checkbox"/>	<input type="checkbox"/>	<input type="checkbox"/>	<input type="checkbox"/>	<input type="checkbox"/>
2. Ease of Finding Information	<input type="checkbox"/>	<input type="checkbox"/>	<input type="checkbox"/>	<input type="checkbox"/>	<input type="checkbox"/>
3. Clarity of Illustrations	<input type="checkbox"/>	<input type="checkbox"/>	<input type="checkbox"/>	<input type="checkbox"/>	<input type="checkbox"/>
4. Index Usability	<input type="checkbox"/>	<input type="checkbox"/>	<input type="checkbox"/>	<input type="checkbox"/>	<input type="checkbox"/>
5. Troubleshooting Chart Usability	<input type="checkbox"/>	<input type="checkbox"/>	<input type="checkbox"/>	<input type="checkbox"/>	<input type="checkbox"/>

Comments/Suggestions:

Please fax a copy of this page to (706) 228-2662.

Thank You!
Club Car Technical Publications Department



Golf Cars and Utility Vehicles

Club Car Inc.

P.O. Box 204658

Augusta, GA 30917-4658